



50 Ohm 0.5 Watts Nickel Plated Brass SMC
Plug RF Load Up To 1,000 MHz

TECHNICAL DATA SHEET

PE6049

Configuration

| | |
|------------|---------------|
| Connector | SMC Plug |
| Heat Sink | Brass, Nickel |
| Body Style | Straight |

Electrical Specifications (Values at 25°C, sea level)

| Description | Minimum | Typical | Maximum | Units |
|-----------------|---------|---------|---------|-------|
| Frequency Range | DC | | 1,000 | MHz |
| Impedance | | 50 | | Ohms |
| Input Power | | | 0.5 | Watts |

Specifications by Frequency

| Description | F1 | F2 | F3 | F4 | F5 | Units |
|-------------|-------------|----|----|----|----|-------|
| Range | DC to 1,000 | | | | | MHz |

Mechanical Specifications

Connector

| | |
|--------------------------------------|---------------|
| Type | SMC Plug |
| Outer Conductor Material and Plating | Brass, Nickel |

Compliance Certifications (visit www.Pasternack.com for current document)

RoHS Compliant

Plotted and Other Data

Notes:

- Values at +25 °C, sea level

Click the following link (or enter part number in "SEARCH" on website) to obtain additional part information including price, inventory and certifications: [50 Ohm 0.5 Watts Nickel Plated Brass SMC Plug RF Load Up To 1,000 MHz PE6049](#)

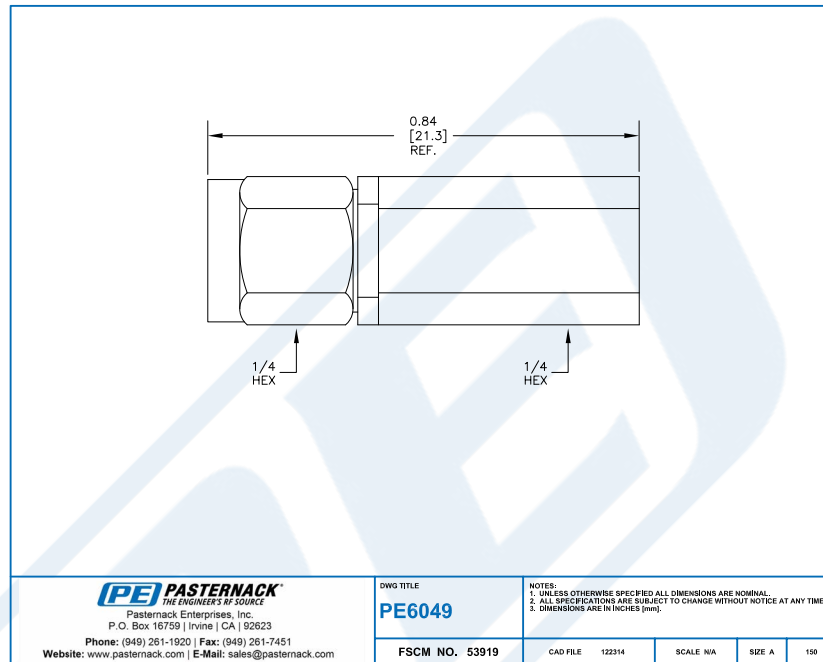


50 Ohm 0.5 Watts Nickel Plated Brass SMC
Plug RF Load Up To 1,000 MHz

TECHNICAL DATA SHEET

PE6049

Outline Drawing



50 Ohm 0.5 Watts Nickel Plated Brass SMC Plug RF Load Up To 1,000 MHz from Pasternack Enterprises has same day shipment for domestic and International orders. Our RF, microwave and millimeter wave products maintain a 99% availability and are part of the broadest selection in the industry.

Click the following link (or enter part number in "SEARCH" on website) to obtain additional part information including price, inventory and certifications: [50 Ohm 0.5 Watts Nickel Plated Brass SMC Plug RF Load Up To 1,000 MHz PE6049](http://www.pasternack.com/0.5-watts-smc-plug-rf-load-up-to-1-ghz-pe6049-p.aspx)

URL: <http://www.pasternack.com/0.5-watts-smc-plug-rf-load-up-to-1-ghz-pe6049-p.aspx>

The information contained in this document is accurate to the best of our knowledge and representative of the part described herein. It may be necessary to make modifications to the part and/or the documentation of the part, in order to implement improvements. Pasternack reserves the right to make such changes as required. Unless otherwise stated, all specifications are nominal. Pasternack does not make any representation or warranty regarding the suitability of the part described herein for any particular purpose, and Pasternack does not assume any liability arising out of the use of any part or documentation.