



1 Watt RF Load Up to 1,000 MHz with 75 Ohm
BNC Male Nickel Plated Brass

RF Terminations Technical Data Sheet

PE6165

Features

- RF 75 Ohm Load
- DC to 1,000 MHz Frequency Range
- Max Power 1 Watt (CW)
- BNC Male Coaxial Interface

Applications

- Wireless
- SatCom
- Radar Systems
- Test and Measurement
- Commercial and Military Communication

Description

Pasternack's PE6165 is an RF termination (also called RF load or dummy load) that operates from DC to 1,000 MHz and handles up to 1 Watt (CW). Our BNC termination / load is a 75 Ohm impedance and has a male gender.

RF load / terminations are indispensable components in many RF, microwave and millimeter wave systems where signal reflection from unused ports can potentially damage the device or reduce the signal integrity. By terminating an unused port with a matched load (dummy load), the incident energy will be absorbed with minimal reflection. These termination components are commonly used to terminate devices such as couplers, circulators, and switches. They are also widely used in measurement systems to ensure accurate results. Pasternack offers a huge selection of RF, microwave and millimeter wave terminations up to 65 GHz with excellent performance over the entire operating range and power handling capabilities up to 800 Watts (CW).

Electrical Specifications

Description	Minimum	Typical	Maximum	Units
Frequency Range	DC		1,000	MHz
Impedance		75		Ohms
Input Power (CW)			1	Watt

Mechanical Specifications

Size	
Length	1.11 in [28.19 mm]
Width	0.57 in [14.48 mm]
Weight	0.028 lbs [12.7 g]
Configuration	
Connector	BNC Male

Click the following link (or enter part number in "SEARCH" on website) to obtain additional part information including price, inventory and certifications: [1 Watt RF Load Up to 1,000 MHz with 75 Ohm BNC Male Nickel Plated Brass PE6165](#)



1 Watt RF Load Up to 1,000 MHz with 75 Ohm
BNC Male Nickel Plated Brass

RF Terminations Technical Data Sheet

PE6165

Material Specifications

Description	Material	Plating
Connector 1 Contact	Brass	Gold
Body	Brass	Nickel
Coupling Nut	Brass	Nickel
Housing	Brass	Nickel

Environmental Specifications

Temperature

Operating Range

-40 to +85 deg C

Compliance Certifications (see [product page](#) for current document)

Plotted and Other Data

Notes:

1 Watt RF Load Up to 1,000 MHz with 75 Ohm BNC Male Nickel Plated Brass from Pasternack Enterprises has same day shipment for domestic and International orders. Our RF, microwave and millimeter wave products maintain a 99.4% availability and are part of the broadest selection in the industry.

Click the following link (or enter part number in "SEARCH" on website) to obtain additional part information including price, inventory and certifications: [1 Watt RF Load Up to 1,000 MHz with 75 Ohm BNC Male Nickel Plated Brass PE6165](#)

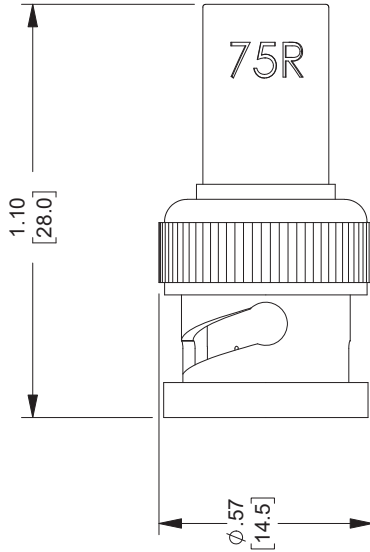
URL: <https://www.pasternack.com/0.25-watts-bnc-male-rf-load-up-to-3-ghz-pe6165-p.aspx>

The information contained in this document is accurate to the best of our knowledge and representative of the part described herein. It may be necessary to make modifications to the part and/or the documentation of the part, in order to implement improvements. Pasternack reserves the right to make such changes as required. Unless otherwise stated, all specifications are nominal. Pasternack does not make any representation or warranty regarding the suitability of the part described herein for any particular purpose, and Pasternack does not assume any liability arising out of the use of any part or documentation.

PE6165 CAD Drawing

1 Watt RF Load Up to 1,000 MHz with 75 Ohm BNC Male Nickel Plated Brass

REVISIONS			
REV.	DESCRIPTION	DATE	APPROVED
A	INITIAL RELEASE	02/12/2020	S.ELLIS



<p>UNLESS OTHERWISE SPECIFIED LEADING DIMENSIONS ARE INCHES DIMENSIONS IN [] ARE MILLIMETERS</p> <p>TOLERANCES:</p> <p>X = +2 [5.08] FRACTIONS ±.132</p> <p>XX = +.02 [.51] ANGLES ± 1°</p> <p>XXX = ±.005 [.13]</p> <p>CABLE LENGTH (L) TOLERANCES:</p> <p>L ≤ 12 [305] = +1 [25] / -0</p> <p>12 [305] < L ≤ 60 [1524] = +2 [51] / -0</p> <p>60 [1524] < L ≤ 120 [3048] = +4 [102] / -0</p> <p>120 [3048] < L ≤ 300 [7620] = +6 [152] / -0</p> <p>300 [7620] < L = +5% / -0</p> <p>ALL DIMENSIONS SHOWN ARE FOR REFERENCE ONLY.</p>	<p>PE PASTERNAK an INFINITI® brand</p> <p>Pasternack Enterprises, Inc. P. O. Box 16759, Irvine, CA 92623. Phone: 1.949.261.1920 1.866.727.8376 Fax: 1.949.261.7451 Website: www.pasternack.com E-mail: sales@pasternack.com</p>	<p>THIRD-ANGLE PROJECTION</p> <p>THE INFORMATION AND DESIGN IN THIS DOCUMENT IS THE PROPERTY OF PASTERNAK CORPORATION ALL RIGHTS RESERVED.</p> <p>SHEET 1 OF 1</p> <p>SCALE N/A</p>
		<p>SIZE A</p> <p>CAGE CODE 53919</p> <p>DRAWN BY DFRISIELLO</p> <p>ITEM NO. PE6165</p> <p>REV A</p>

THESE COMMODITIES, TECHNOLOGY OR SOFTWARE WERE EXPORTED FROM THE UNITED STATES IN ACCORDANCE WITH THE EXPORT ADMINISTRATION REGULATIONS. DIVERSION CONTRARY TO U.S. LAW PROHIBITED.