



Medium Power 50 Watts RF Load Up To 4 GHz With N Male  
Input Square Body Black Anodized Aluminum Heatsink

TECHNICAL DATA SHEET

PE6167

**Configuration**

Connector	N Male
Heat Sink	Black Anodized Aluminum Heatsink
Body Style	Straight

**Electrical Specifications**

Frequency Range, GHz	DC to 4
Impedance, Ohms	50
Maximum VSWR	1.25:1
Maximum Input Power, Watts	50
Peak Power, KWatts	5

**Frequency 1**

Frequency, GHz	DC to 2
VSWR	1.15:1

**Frequency 2**

Frequency, GHz	2 to 4
VSWR	1.25:1

**Mechanical Specifications**

**Size**

Length, in [mm]	5.4 [137.16]
Width/Dia., in [mm]	2.765 [70.23]
Height, in [mm]	3.5 [88.9]

**Connector**

Type	N Male
Coupling Nut Material and Plating	Passivated Stainless Steel
Body Material and Plating	Passivated Stainless Steel

**Compliance Certifications** (visit [www.Pasternack.com](http://www.Pasternack.com) for current document)

RoHS Compliant	Yes
----------------	-----

Click the following link (or enter part number in "SEARCH" on website) to obtain additional part information including price, inventory and certifications: [Medium Power 50 Watts RF Load Up To 4 GHz With N Male Input Square Body Black Anodized Aluminum Heatsink PE6167](#)

The information contained in this document is accurate to the best of our knowledge and representative of the part described herein. It may be necessary to make modifications to the part and/or the documentation of the part, in order to implement improvements. Pasternack reserves the right to make such changes as required. Unless otherwise stated, all specifications are nominal.



Medium Power 50 Watts RF Load Up To 4 GHz With N Male  
Input Square Body Black Anodized Aluminum Heatsink

TECHNICAL DATA SHEET

PE6167

**Plotted and Other Data**

Notes:

Values at 25 °C, sea level

Medium Power 50 Watts RF Load Up To 4 GHz With N Male Input Square Body Black Anodized Aluminum Heatsink from Pasternack Enterprises has same day shipment for domestic and International orders. Our RF, microwave and fiber optic products maintain a 99% availability and are part of the broadest selection in the industry.

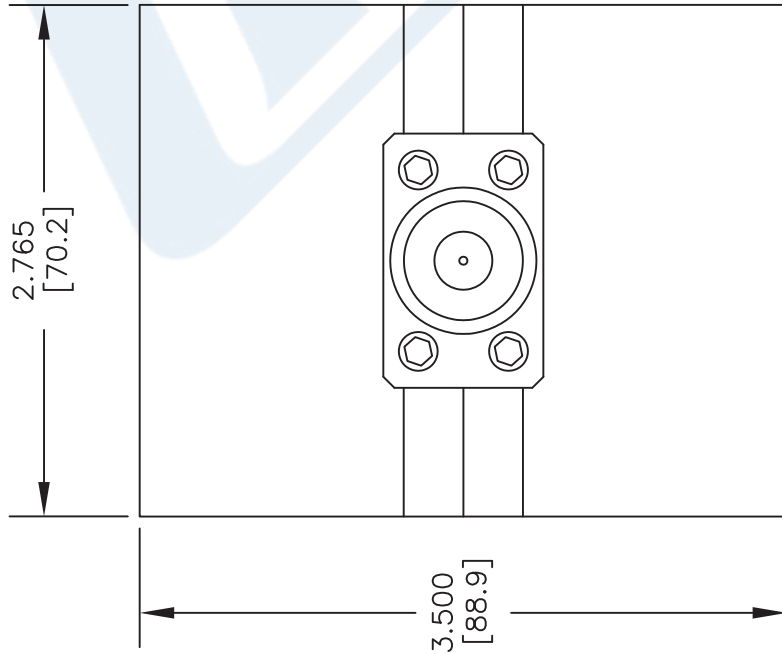
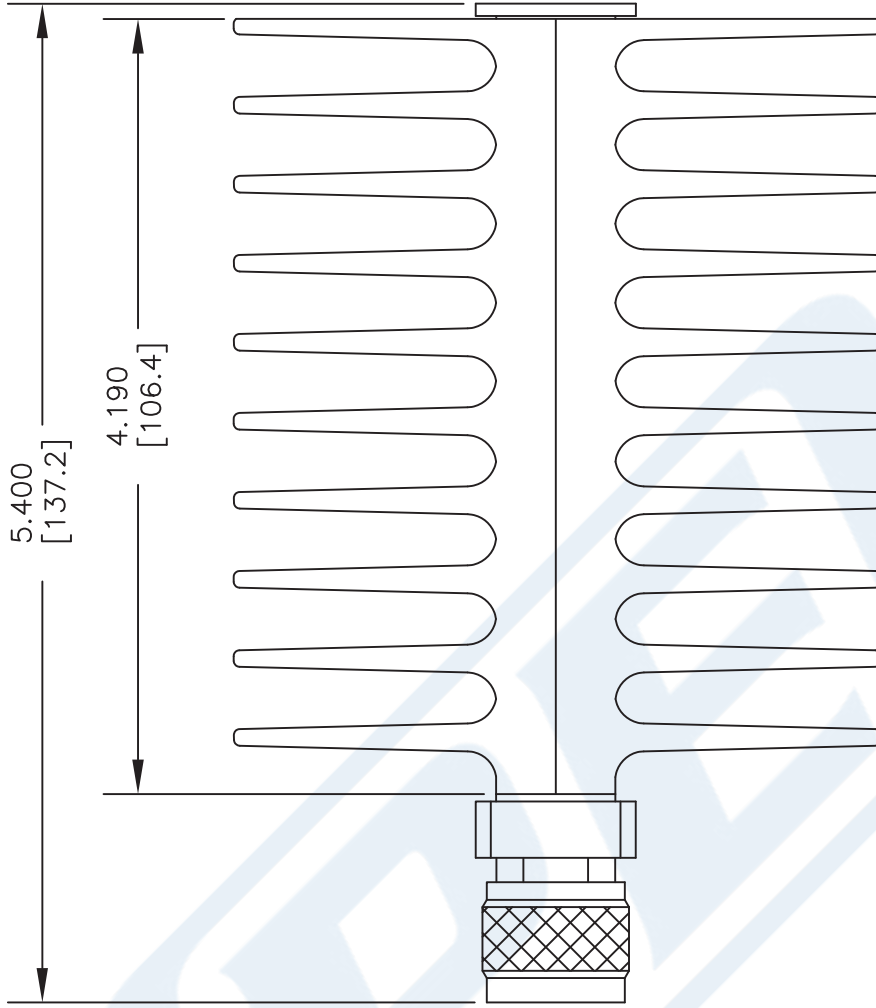
Click the following link (or enter part number in "SEARCH" on website) to obtain additional part information including price, inventory and certifications: [Medium Power 50 Watts RF Load Up To 4 GHz With N Male Input Square Body Black Anodized Aluminum Heatsink PE6167](#)

URL: <http://www.pasternack.com/50-watts-n-male-rf-load-up-to-4-ghz-pe6167-p.aspx>

The information contained in this document is accurate to the best of our knowledge and representative of the part described herein. It may be necessary to make modifications to the part and/or the documentation of the part, in order to implement improvements. Pasternack reserves the right to make such changes as required. Unless otherwise stated, all specifications are nominal.

# PE6167 CAD Drawing

Medium Power 50 Watts RF Load Up To 4 GHz With N Male Input  
Square Body Black Anodized Aluminum Heatsink



DWG TITLE

**PE6167**

NOTES:  
1. UNLESS OTHERWISE SPECIFIED ALL DIMENSIONS ARE NOMINAL.  
2. ALL SPECIFICATIONS ARE SUBJECT TO CHANGE WITHOUT NOTICE AT ANY TIME.  
3. DIMENSIONS ARE IN INCHES [mm].

**PASTERNAK ENTERPRISES, INC.**  
P.O. BOX 16759, IRVINE, CA 92623  
PHONE (949) 261-1920 FAX (949) 261-7451  
WEB ADDRESS: [www.pasternack.com](http://www.pasternack.com)  
E-MAIL ADDRESS: [sales@pasternack.com](mailto:sales@pasternack.com)  
**COAXIAL & FIBER OPTICS**



REV. A

FSCM NO. 53919

CAD FILE 071112

SCALE N/A

SIZE A

2233