



## 2 Watt RF Load Up to 6 GHz With TNC Male Input Tri-Metal Plated Brass

### RF Terminations Technical Data Sheet

PE6172

#### Features

- DC to 6 GHz Frequency Range
- VSWR 1.2:1 Max
- Max Power 2 Watt (CW)
- TNC Male Coaxial Interface

#### Applications

- Wireless
- SatCom
- Radar Systems
- Test and Measurement
- Commercial and Military Communication

#### Description

Pasternack's PE6172 is an RF termination (also called RF load or dummy load) that operates from DC to 6 GHz and handles up to 2 Watt (CW). Our TNC termination / load has a male gender. PE6172 TNC load termination offers 1.2:1 max VSWR.

RF load / terminations are indispensable components in many RF, microwave and millimeter wave systems where signal reflection from unused ports can potentially damage the device or reduce the signal integrity. By using a terminator on an unused port with a matched load (dummy load), the incident energy will be absorbed with minimal reflection. These termination components are commonly used to terminate devices such as couplers, circulators, and switches. They are also widely used in measurement systems to ensure accurate results. Pasternack offers a huge selection of RF, microwave and millimeter wave terminations up to 65 GHz with excellent performance over the entire operating range and power handling capabilities up to 800 Watt (CW).

#### Electrical Specifications

Description	Minimum	Typical	Maximum	Units
Frequency Range	DC		6	GHz
Impedance		50		Ohms
VSWR			1.2:1	
Input Power (CW) derated linearly to 1W at +125°C			2	Watts

#### Performance by Frequency

Description	F1	F2	F3	F4	F5	Units
Frequency Range	DC to 1	1 to 2.5	2.5 to 6			GHz
VSWR, Max	1.1:1	1.15:1	1.2:1			

#### Mechanical Specifications

##### Size

Length	1.1 in [27.94 mm]
Width	0.63 in [16 mm]

Click the following link (or enter part number in "SEARCH" on website) to obtain additional part information including price, inventory and certifications: [2 Watt RF Load Up to 6 GHz With TNC Male Input Tri-Metal Plated Brass PE6172](#)



2 Watt RF Load Up to 6 GHz With TNC  
Male Input Tri-Metal Plated Brass

RF Terminations Technical Data Sheet

PE6172

Weight 0.027 lbs [12.25 g]

**Configuration**

Connector TNC Male  
Hex Size 14 mm

**Material Specifications**

Description	Material	Plating
Connector 1 Contact	Brass	Gold
Insulation	PTFE	
Body	Brass	Tri-Metal
Coupling Nut	Brass	Tri-Metal
Housing	Brass	Tri-Metal

**Environmental Specifications**

**Temperature**

Operating Range -55 to +125 deg C

**Compliance Certifications** (visit [www.Pasternack.com](http://www.Pasternack.com) for current document)

RoHS Compliant  
REACH Compliant 12/17/2015

**Plotted and Other Data**

Notes:

Click the following link (or enter part number in "SEARCH" on website) to obtain additional part information including price, inventory and certifications: [2 Watt RF Load Up to 6 GHz With TNC Male Input Tri-Metal Plated Brass PE6172](#)



## 2 Watt RF Load Up to 6 GHz With TNC Male Input Tri-Metal Plated Brass

### RF Terminations Technical Data Sheet

PE6172

2 Watt RF Load Up to 6 GHz With TNC Male Input Tri-Metal Plated Brass from Pasternack Enterprises has same day shipment for domestic and International orders. Our RF, microwave and millimeter wave products maintain a 99% availability and are part of the broadest selection in the industry.

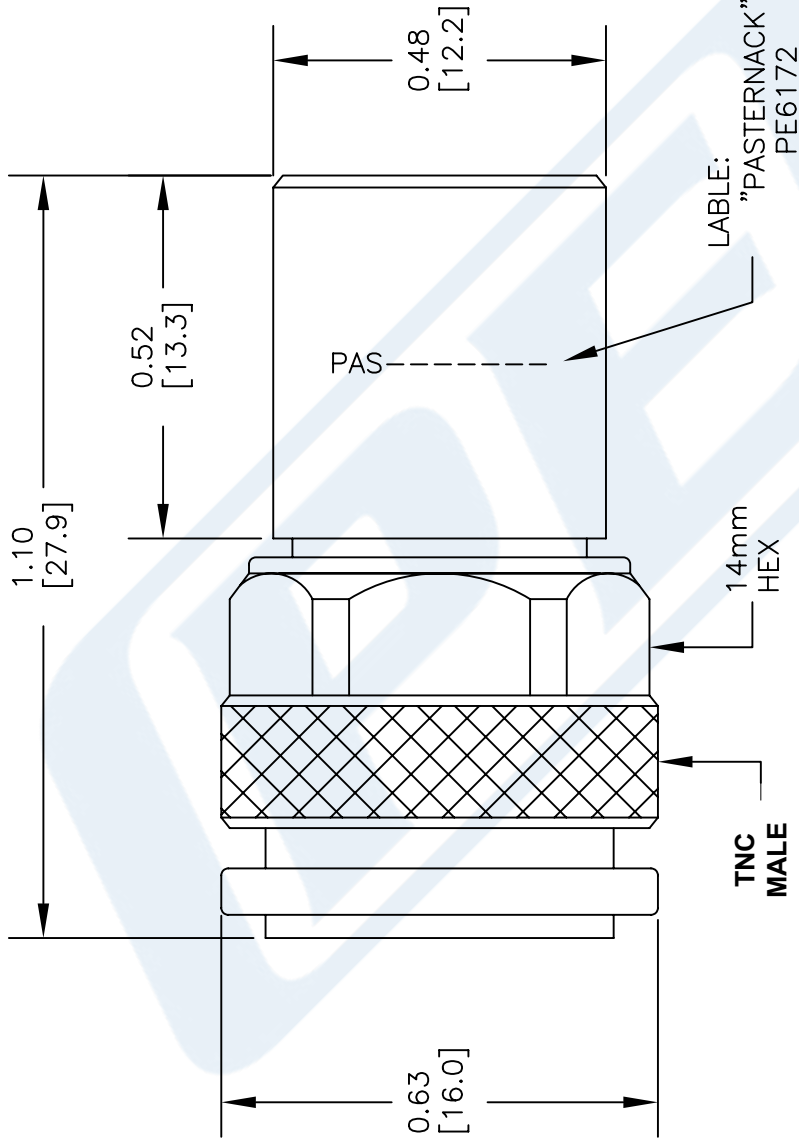
Click the following link (or enter part number in "SEARCH" on website) to obtain additional part information including price, inventory and certifications: [2 Watt RF Load Up to 6 GHz With TNC Male Input Tri-Metal Plated Brass PE6172](http://www.pasternack.com/2-watts-tnc-male-rf-load-up-to-6-ghz-pe6172-p.aspx)

URL: <http://www.pasternack.com/2-watts-tnc-male-rf-load-up-to-6-ghz-pe6172-p.aspx>

The information contained in this document is accurate to the best of our knowledge and representative of the part described herein. It may be necessary to make modifications to the part and/or the documentation of the part, in order to implement improvements. Pasternack reserves the right to make such changes as required. Unless otherwise stated, all specifications are nominal. Pasternack does not make any representation or warranty regarding the suitability of the part described herein for any particular purpose, and Pasternack does not assume any liability arising out of the use of any part or documentation.

# PE6172 CAD Drawing

2 Watt RF Load Up to 6 GHz With TNC Male Input Tri-Metal Plated Brass



**STANDARD TOLERANCES**

DECIMAL

.XX ±0.03

.XXX ±0.010

\*STANDARD TOLERANCES APPLY ONLY TO DIMENSIONS IN INCHES



Pasternack Enterprises, Inc.  
 P.O. Box 16759 | Irvine | CA | 92623  
 Phone: (949) 261-1920 | Fax: (949) 261-7451  
 Website: www.pasternack.com | E-Mail: sales@pasternack.com

DWG TITLE

**PE6172**

FSCM NO. 53919

NOTES:  
 1. UNLESS OTHERWISE SPECIFIED ALL DIMENSIONS ARE NOMINAL.  
 2. ALL SPECIFICATIONS ARE SUBJECT TO CHANGE WITHOUT NOTICE AT ANY TIME.  
 3. DIMENSIONS ARE IN INCHES [mm].

CAD FILE 052616

SCALE N/A

SIZE A

3045