



SPDT Electromechanical Relay Latching Switch, DC to 26.5 GHz,
2M Lifecycles, 20W, 12V Self Cut Off, Diodes, SMA, Solder Pins

Electromechanical Relay Switches Technical Data Sheet

PE71S6477

Features

- Single Pole Double Throw (SP2T) Electromechanical Relay Switch
- DC to 26.5 GHz Frequency Range
- Latching Self Cut-Off Actuator
- Suppression Diodes
- 2M Lifecycle Rating
- Insertion Loss 0.45 dB typ
- Isolation > 70 dB typ
- VSWR as low as 1.2:1 max
- Solder Terminal Pins for DC Control
- +12 Volt DC Bias
- SMA Female Connectors
- -25°C to +65°C Operating Temperature
- Up to 20 Watt Average Power Handling
- 50 Ohm Design
- Hot Switching Capability - Consult Factory
- S-Parameter Data available upon request
- Rugged Design meets Mil-STD-202 Test Conditions

Applications

- Aerospace & Defense
- Test & Measurement
- Microwave Radio Systems
- Military & Commercial Communication Systems
- Research & Development
- SATCOM
- Wireless Communications
- Enterprise
- IoT

Description

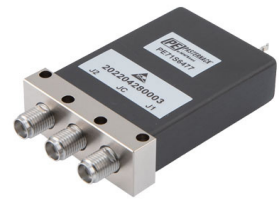
The PE71S6477 is a Single Pole Double Throw (SP2T) electromechanical relay switch that operates across a wide frequency range from DC to 26.5 GHz and can handle up to 20 Watts of average power in a break before make condition. The 50 Ohm design is rated for 2 million lifecycles and features a Latching Self Cut-Off Actuator that magnetically latches in place after the control voltage is removed. For power sensitive applications, this is the best actuator option. Additional features include suppression diodes which limit voltage spikes or reverse current. Impressive typical performance includes 0.3 dB insertion loss and isolation greater than 70 dB. This switch requires +12 Vdc bias voltage and operates over a temperature range of -25°C to +65°C. The rugged and compact package assembly supports SMA female connectors and solder terminal pins for DC control. And for highly reliable operation, the model is guaranteed to meet MIL-STD-202 environmental test conditions for shock and random vibration.

Electrical Specifications (TA = +25°C, DC Voltage = +12 Vdc)

Switch Type	SPDT
Actuator Type	Latching
Actuator Options	Self Cut Off

Description	Minimum	Typical	Maximum	Units
Frequency Range	DC		26.5	GHz
Operating Voltage		+12		Volts
Actuating Set Current @ +12 Volts			140	mA
VSWR		1.3:1	1.7:1	
Insertion Loss		0.3	0.6	dB
Isolation	50	70		dB
Input Power (CW) (at 26.5 GHz)			20	Watts

Click the following link (or enter part number in "SEARCH" on website) to obtain additional part information including price, inventory and certifications: [SPDT Electromechanical Relay Latching Switch, DC to 26.5 GHz, 2M Lifecycles, 20W, 12V Self Cut Off, Diodes, SMA, Solder Pins PE71S6477](#)



SPDT Electromechanical Relay Latching Switch, DC to 26.5 GHz,
2M Lifecycles, 20W, 12V Self Cut Off, Diodes, SMA, Solder Pins

Electromechanical Relay Switches Technical Data

PE71S6477

Performance by Frequency

Description	F1	F2	F3	F4	F5	Units
Frequency Range	DC to 6	6 to 12	12 to 18	18 to 26.5		GHz
VSWR, Max	1.2:1	1.3:1	1.4:1	1.7:1		
Insertion Loss, Max	1.2	1.4	1.5	1.6		dB
Isolation, Min	70	60	60	50		dB

Mechanical Specifications

Size

Length	2.05 in [52.07 mm]
Width/Diameter	1.5 in [38.1 mm]
Height	0.52 in [13.21 mm]
Weight	0.1 lbs [45.36 g]

Connectors

RF Connector Type	SMA Female
-------------------	------------

Environmental Specifications

Temperature

Operating Range	-25 to +65 deg C
Storage Range	-55 to +100 deg C

Shock	MIL-STD-202 Method 213, Condition D, 500G (non oper)
-------	--

Vibration	MIL-STD-202 Method 204, Condition D, 10G RMS (non oper)
-----------	---

Compliance Certifications (see [product page](#) for current document)

Plotted and Other Data

Notes:

Click the following link (or enter part number in "SEARCH" on website) to obtain additional part information including price, inventory and certifications: [SPDT Electromechanical Relay Latching Switch, DC to 26.5 GHz, 2M Lifecycles, 20W, 12V Self Cut Off, Diodes, SMA, Solder Pins PE71S6477](#)

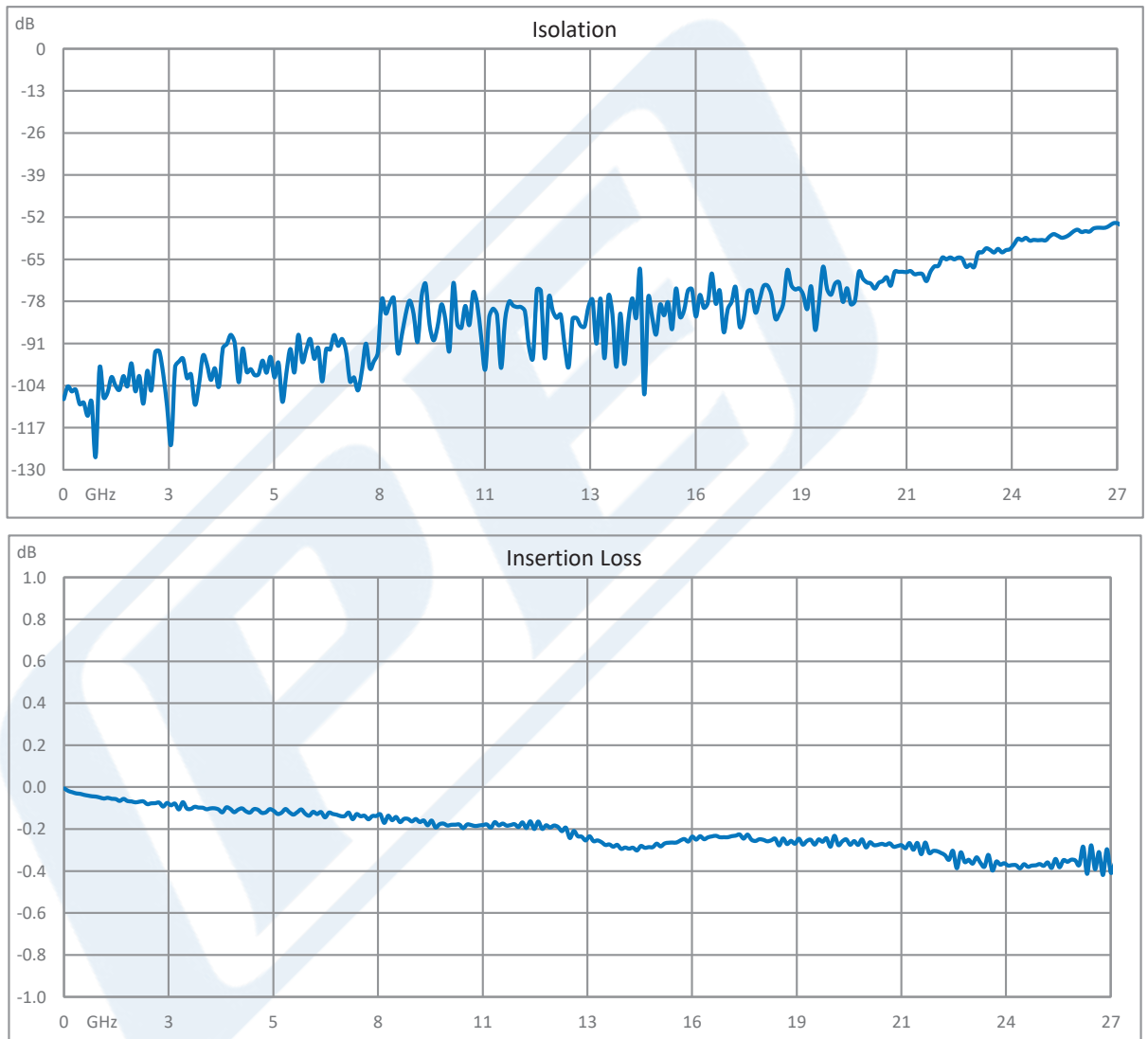


SPDT Electromechanical Relay Latching Switch, DC to 26.5 GHz,
2M Lifecycles, 20W, 12V Self Cut Off, Diodes, SMA, Solder Pins

Electromechanical Relay Switches Technical Data

PE71S6477

Typical Performance Data



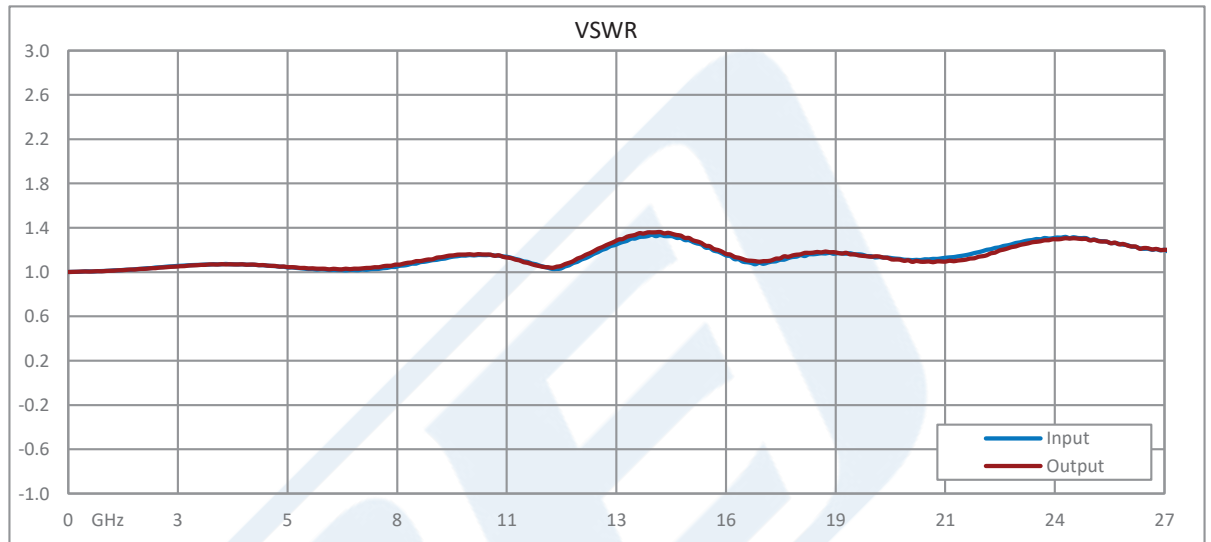
Click the following link (or enter part number in "SEARCH" on website) to obtain additional part information including price, inventory and certifications: [SPDT Electromechanical Relay Latching Switch, DC to 26.5 GHz, 2M Lifecycles, 20W, 12V Self Cut Off, Diodes, SMA, Solder Pins PE71S6477](#)



SPDT Electromechanical Relay Latching Switch, DC to 26.5 GHz,
2M Lifecycles, 20W, 12V Self Cut Off, Diodes, SMA, Solder Pins

Electromechanical Relay Switches Technical Data

PE71S6477



Click the following link (or enter part number in "SEARCH" on website) to obtain additional part information including price, inventory and certifications: [SPDT Electromechanical Relay Latching Switch, DC to 26.5 GHz, 2M Lifecycles, 20W, 12V Self Cut Off, Diodes, SMA, Solder Pins PE71S6477](#)

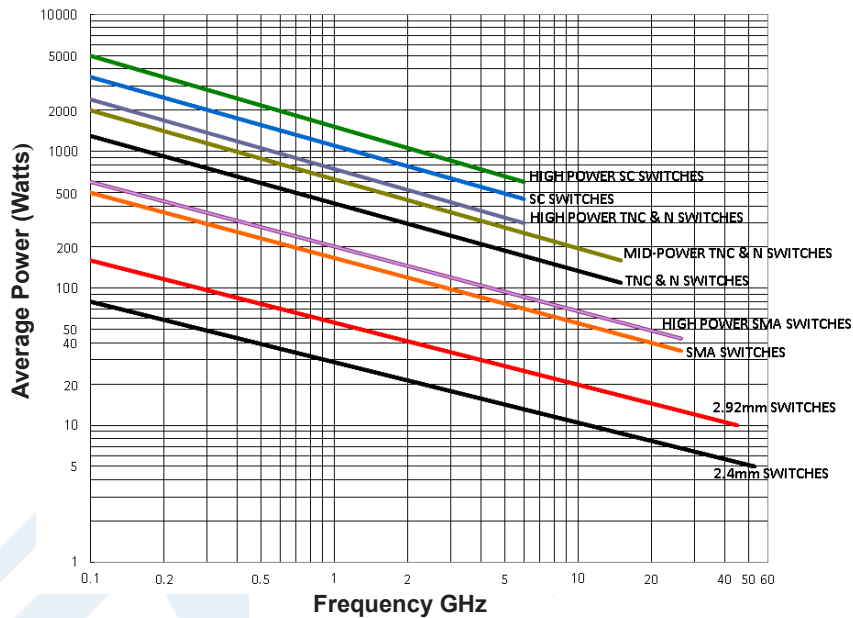


SPDT Electromechanical Relay Latching Switch, DC to 26.5 GHz,
2M Lifecycles, 20W, 12V Self Cut Off, Diodes, SMA, Solder Pins

Electromechanical Relay Switches Technical Data

PE71S6477

Power Handling vs. Frequency



Power Handling De-rating vs. Load VSWR



Power Handling Chart and Derating Curves based on the following Test and Environmental Conditions:
 Ambient temperature: 20-25°C
 Altitude: Sea Level to 1,000 feet
 Relative Humidity: 50-55%
 Load VSWR: ≤ 1.20:1
 Operation: Cold Switching

Click the following link (or enter part number in "SEARCH" on website) to obtain additional part information including price, inventory and certifications: [SPDT Electromechanical Relay Latching Switch, DC to 26.5 GHz, 2M Lifecycles, 20W, 12V Self Cut Off, Diodes, SMA, Solder Pins PE71S6477](#)



SPDT Electromechanical Relay Latching Switch, DC to 26.5 GHz,
2M Lifecycles, 20W, 12V Self Cut Off, Diodes, SMA, Solder Pins

Electromechanical Relay Switches Technical Data

PE71S6477

SPDT Electromechanical Relay Latching Switch, DC to 26.5 GHz, 2M Lifecycles, 20W, 12V Self Cut Off, Diodes, SMA, Solder Pins from Pasternack Enterprises has same day shipment for domestic and International orders. Our RF, microwave and millimeter wave products maintain a 99.4% availability and are part of the broadest selection in the industry.

Click the following link (or enter part number in "SEARCH" on website) to obtain additional part information including price, inventory and certifications: [SPDT Electromechanical Relay Latching Switch, DC to 26.5 GHz, 2M Lifecycles, 20W, 12V Self Cut Off, Diodes, SMA, Solder Pins PE71S6477](https://www.pasternack.com/spdt-electromechanical-relay-latching-switch-26.5-ghz-20w-12v-sma-pe71s6477-p.aspx)

URL: <https://www.pasternack.com/spdt-electromechanical-relay-latching-switch-26.5-ghz-20w-12v-sma-pe71s6477-p.aspx>

The information contained in this document is accurate to the best of our knowledge and representative of the part described herein. It may be necessary to make modifications to the part and/or the documentation of the part, in order to implement improvements. Pasternack reserves the right to make such changes as required. Unless otherwise stated, all specifications are nominal. Pasternack does not make any representation or warranty regarding the suitability of the part described herein for any particular purpose, and Pasternack does not assume any liability arising out of the use of any part or documentation.

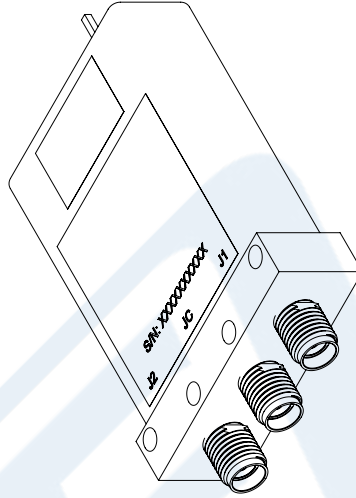
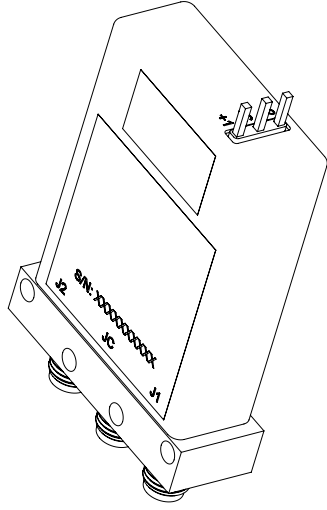
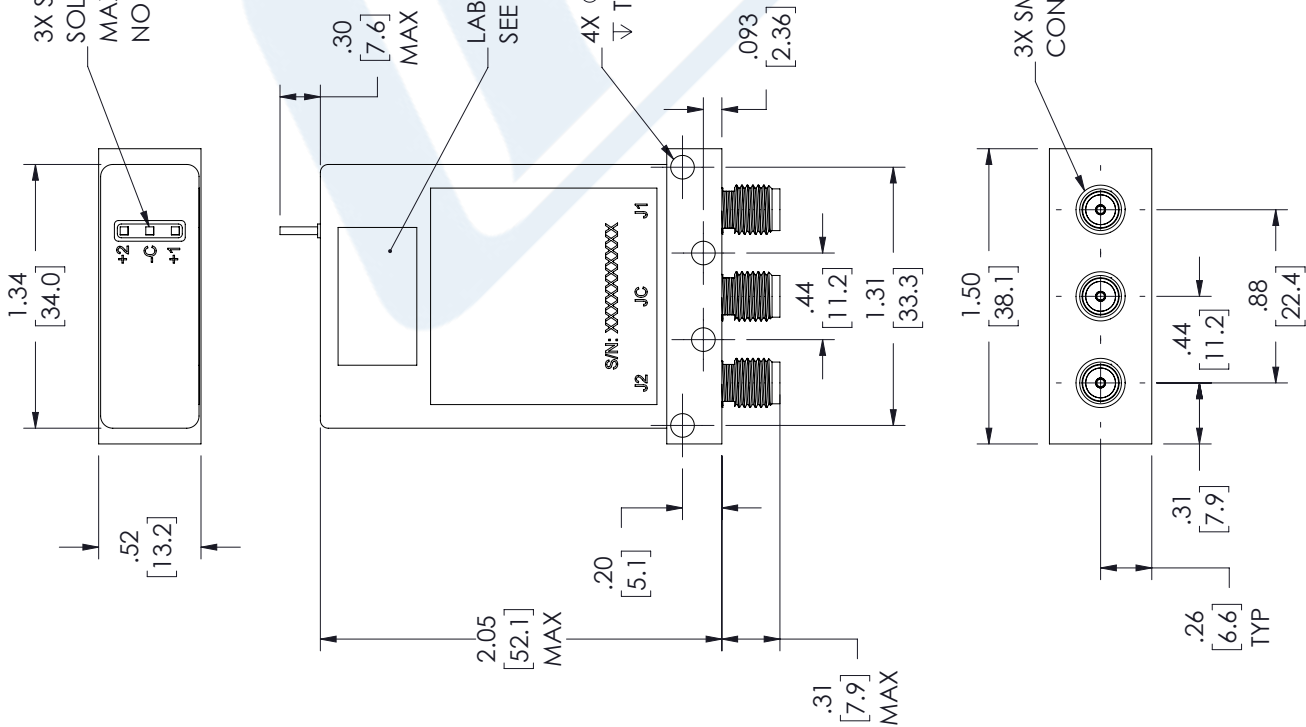
PE71S6477 CAD Drawing

SPDT Electromechanical Relay Latching Switch, DC to 26.5 GHz, 2M
Lifecycles, 20W, 12V Self Cut Off, Diodes, SMA, Solder Pins

REVISIONS

REV.	DESCRIPTION	DATE	APPROVED
A	INITIAL RELEASE	05/17/2022	T. GALLA

3X SOLDER TERMINALS
SOLDER WIRE USING SN63,
MAXIMUM TEMP 210°C FOR
NO MORE THAN 5 SEC.



UNLESS OTHERWISE SPECIFIED
LEADING DIMENSIONS ARE INCHES
DIMENSIONS IN [] ARE MILLIMETERS

TOLERANCES:

.X = ±.2	[5.08]	FRACTIONS
.XX = ±.02	[.51]	± 1/32
.XXX = ±.005	[.13]	ANGLES ± 1°

CABLE LENGTH (L) TOLERANCES:

L ≤ 12 [305]	±.1 [25] / -0
12 [305] < L ≤ 60 [1524]	±.2 [51] / -0
60 [1524] < L ≤ 120 [3048]	±.4 [102] / -0
120 [3048] < L ≤ 300 [7620]	±.6 [152] / -0
300 [7620] < L	±.9 [229] / -0

ALL DIMENSIONS SHOWN
ARE FOR REFERENCE ONLY.



THE INFORMATION AND
DESIGN IN THIS DOCUMENT
IS THE PROPERTY OF
PASTERNAK CORPORATION
ALL RIGHTS RESERVED.

SHEET	1	OF	2
SCALE	N/A		



Pasternack Enterprises, Inc.
P. O. Box 16759, Irvine, CA 92623.
Phone: 1.949.261.1920 | 1.866.727.8376
Fax: 1.949.261.7451
Website: www.pasternack.com
E-mail: sales@pasternack.com

ITEM NO. PE71S6477

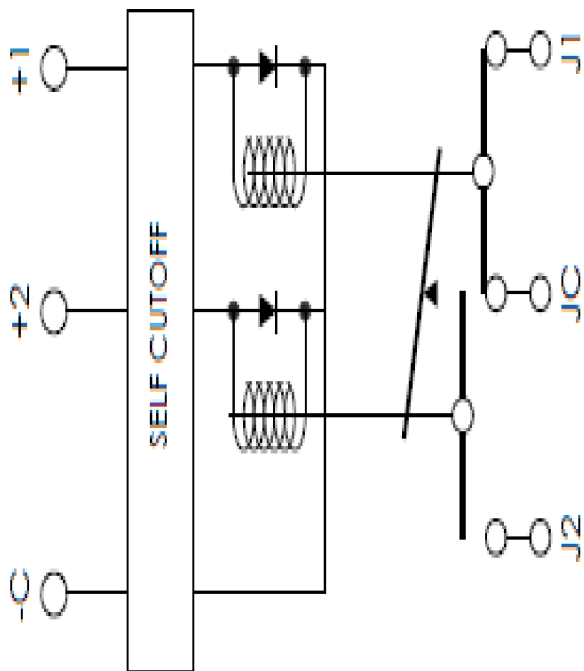
REV A

- NOTES:
- LABEL PER ILS-100-02. FOR INTERNAL REFERENCE ONLY.
LABEL LOCATION FOR REFERENCE ONLY.

THESE COMMODITIES, TECHNOLOGY OR SOFTWARE WERE EXPORTED FROM THE UNITED STATES IN ACCORDANCE WITH THE EXPORT ADMINISTRATION REGULATIONS. DIVERSION CONTRARY TO U.S. LAW PROHIBITED.

PE71S6477 CAD Drawing

SPDT Electromechanical Relay Latching Switch, DC to 26.5 GHz, 2M
Lifecycles, 20W, 12V Self Cut Off, Diodes, SMA, Solder Pins



SCHEMATIC

UNLESS OTHERWISE SPECIFIED
LEADING DIMENSIONS ARE INCHES
DIMENSIONS IN [] ARE MILLIMETERS

TOLERANCES:
 .X = ±.2 [.08] FRACTIONS
 .XX = ±.02 [.51] ±.1/32
 .XXX = ±.005 [.13] ANGLES ± 1°
 CABLE LENGTH (L) TOLERANCES:
 L ≤ 12 [305] = +1 [25] / -0
 12 [305] < L ≤ 60 [1524] = +2 [51] / -0
 60 [1524] < L ≤ 120 [3048] = +4 [102] / -0
 120 [3048] < L ≤ 300 [7620] = +6 [152] / -0
 300 [7620] < L = +5%L / -0
 ALL DIMENSIONS SHOWN
 ARE FOR REFERENCE ONLY.

PE PASTERNAK
an INFINITI® brand

Pasternack Enterprises, Inc.
P. O. Box 16759, Irvine, CA 92623.
Phone: 1.949.261.1920 | 1.866.727.8376
Fax: 1.949.261.7451
Website: www.pasternack.com
E-mail: sales@pasternack.com

SIZE A CAGE CODE 53919 DRAWN BY KGLEBOVA ITEM NO. PE71S6477
 REV A

THIRD-ANGLE PROJECTION

THE INFORMATION AND DESIGN IN THIS DOCUMENT IS THE PROPERTY OF PASTERNAK CORPORATION ALL RIGHTS RESERVED.

SHEET 2 OF 2

SCALE N/A

REV A