



40dB RF fixed attenuator 2W, DC to 3GHz,
SMA male to female, Stainless Steel

RF Fixed Attenuators Technical Data Sheet

PE7601-40

Features

- Bidirectional
- DC to 3 GHz Range
- Attenuation 40 +/- 0.85 dB
- 2 Watts Average Input Power
- VSWR <1.15:1

Applications

- Precision Measurements
- Production Systems
- Instrumentation
- Prototyping and Characterization

Description

Pasternack carries a wide range of fixed attenuators with a broad selection of attenuation levels, frequency ranges, and power dissipation ranges. RF microwave attenuators (also known as RF pads) lower the amplitude of a signal (attenuate) a known amount and can be used in a wide variety of applications. These attenuators pads are used when a signal needs to be reduced to protect measurement equipment or other circuitry, to extend the range of power meters and amplifiers, and to impedance match circuits by reducing the VSWR seen by adjacent components. RF attenuators can prevent signal overload in amplifiers, receivers and detectors, adjusting the signal level to a range that is optimal.

Few RF components are as commonly used as fixed coaxial attenuators, and Pasternack carries one of the largest in-stock varieties and ships them same day. The 40 dB Fixed Attenuators PE7601-40 is rated to 2 Watts and operates from DC to 3 GHz. The versatile coaxial package uses SMA male to SMA female connectors and is also REACH and RoHS compliant.

Electrical Specifications

Description	Minimum	Typical	Maximum	Units
Frequency Range	DC		3	GHz
Impedance		50		Ohms
Nominal Attenuation		40		dB
VSWR			1.15:1	
Input Power, CW			2	Watts
Input Power, Peak 5µs pulse w/ 0.4% duty cycle			500	Watts

Click the following link (or enter part number in "SEARCH" on website) to obtain additional part information including price, inventory and certifications: [40dB RF fixed attenuator 2W, DC to 3GHz, SMA male to female, Stainless Steel PE7601-40](#)



40dB RF fixed attenuator 2W, DC to 3GHz,
SMA male to female, Stainless Steel

RF Fixed Attenuators Technical Data Sheet

PE7601-40

Mechanical Specifications

Size

Length	0.98425 in [25 mm]
Width/Diameter	0.31496 in [8 mm]
Height	0.31496 in [8 mm]
Weight	0.01 lbs [4.54 g]
Body Material and Plating	Stainless Steel

Configuration

Design	Fixed, Bidirectional
--------	----------------------

Connectors

Description	Connector 1	Connector 2
Type	SMA Male	SMA Female
Contact Material and Plating	Brass, Gold	Beryllium Copper, Gold
Body Material and Plating	Stainless Steel	Stainless Steel

Environmental Specifications

Temperature

Operating Range	+125 to -55 deg C
-----------------	-------------------

Compliance Certifications (see [product page](#) for current document)

Plotted and Other Data

Notes:

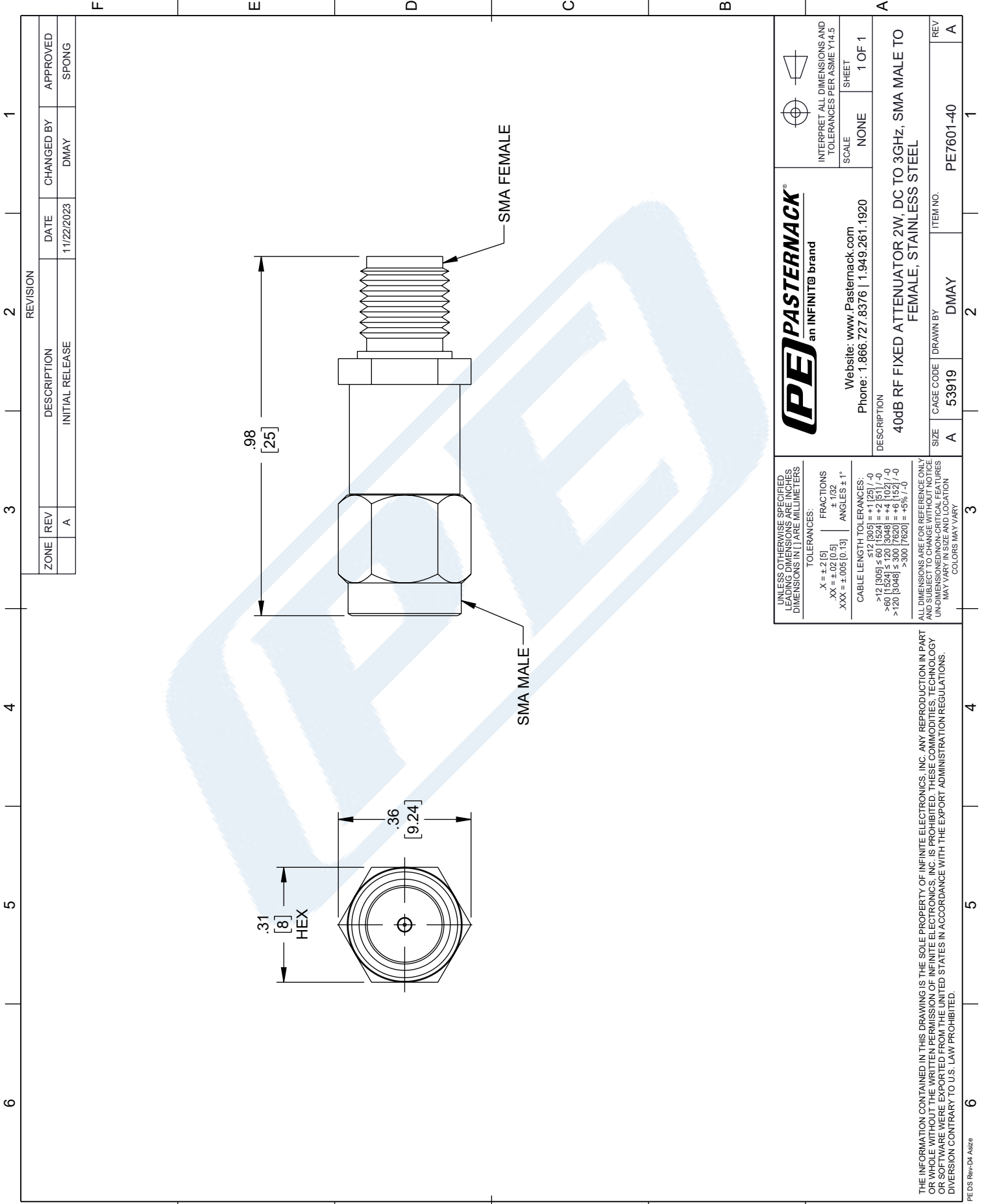
40dB RF fixed attenuator 2W, DC to 3GHz, SMA male to female, Stainless Steel from Pasternack Enterprises has same day shipment for domestic and International orders. Our RF, microwave and millimeter wave products maintain a 99.4% availability and are part of the broadest selection in the industry.

Click the following link (or enter part number in "SEARCH" on website) to obtain additional part information including price, inventory and certifications: [40dB RF fixed attenuator 2W, DC to 3GHz, SMA male to female, Stainless Steel PE7601-40](#)

URL:

PE7601-40 CAD Drawing

40dB RF fixed attenuator 2W, DC to 3GHz, SMA male to female, Stainless Steel



ZONE		REVISION		DATE		APPROVED	
	REV	DESCRIPTION	DATE	CHANGED BY	APPROVED		
	A	INITIAL RELEASE	11/22/2023	DMAY	SPONG		

 PASTERNACK an INFINITE® brand		Website: www.Pasternack.com Phone: 1.866.727.8376 1.949.261.1920		INTERPRET ALL DIMENSIONS AND TOLERANCES PER ASME Y14.5 SCALE: NONE SHEET: 1 OF 1	
DESCRIPTION: 40dB RF FIXED ATTENUATOR 2W, DC TO 3GHz, SMA MALE TO FEMALE, STAINLESS STEEL					
SIZE	CAGE CODE	DRAWN BY	ITEM NO.	REV	
A	53919	DMAY	PE7601-40	A	

UNLESS OTHERWISE SPECIFIED LEADING DIMENSIONS ARE INCHES DIMENSIONS IN [] ARE MILLIMETERS

TOLERANCES:
 X = ±.2 [5]
 XX = ±.02 [0.5]
 XXX = ±.005 [0.13]

FRACTIONS
 ± 1/32
 ANGLES ± 1°

CABLE LENGTH TOLERANCES:
 ≤ 12 [305] = +.1 [25] / -0
 > 12 [305] ≤ 60 [1524] = +.2 [51] / -0
 > 60 [1524] ≤ 120 [3048] = +.4 [102] / -0
 > 120 [3048] ≤ 300 [7620] = +.6 [152] / -0
 > 300 [7620] = +.8 [203] / -0

ALL DIMENSIONS ARE FOR REFERENCE ONLY AND SUBJECT TO CHANGE WITHOUT NOTICE UNLESS OTHERWISE SPECIFIED FEATURES MAY VARY IN SIZE AND LOCATION COLORS MAY VARY

THE INFORMATION CONTAINED IN THIS DRAWING IS THE SOLE PROPERTY OF INFINITE ELECTRONICS, INC. ANY REPRODUCTION IN PART OR WHOLE WITHOUT THE WRITTEN PERMISSION OF INFINITE ELECTRONICS, INC. IS PROHIBITED. THESE COMMODITIES, TECHNOLOGY OR SOFTWARE WERE EXPORTED FROM THE UNITED STATES IN ACCORDANCE WITH THE EXPORT ADMINISTRATION REGULATIONS. DIVERSION CONTRARY TO U.S. LAW PROHIBITED.