



5 Section Highpass Filter With SMA Female Connectors Operating From 1000 MHz To 2.5 GHz With a 1.5 GHz Passband

TECHNICAL DATA SHEET

PE8715

5 Section Highpass Filter With SMA Female Connectors Operating From 1000 MHz To 2.5 GHz With a 1.5 GHz Passband

Configuration

Connector 1	SMA Female
Connector 2	SMA Female
Passband Frequency Range, GHz	1 to 2.5

Electrical Specifications

Passband Minimum Frequency, MHz	1000
Passband Maximum Frequency, GHz	2.5
Useable Frequency Range, GHz	DC to 2.5
Impedance, Ohms	50
Maximum Insertion Loss, dB	1
Passband Maximum VSWR	2:1
Maximum Input Power, Watts	5
Rejection at 500 MHz	60 dB
Rejection at 665 MHz	40 dB

Mechanical Specifications

Size

Length, in [mm]	1.1 [27.94]
Width, in [mm]	0.75 [19.05]
Height, in [mm]	0.65 [16.51]

Connector 1

Type	SMA Female
------	------------

Connector 2

Type	SMA Female
------	------------

Compliance Certifications (visit www.Pasternack.com for current document)

RoHS Compliant	Yes
----------------	-----

Plotted and Other Data

Notes:	Values at 25 °C, sea level
--------	----------------------------

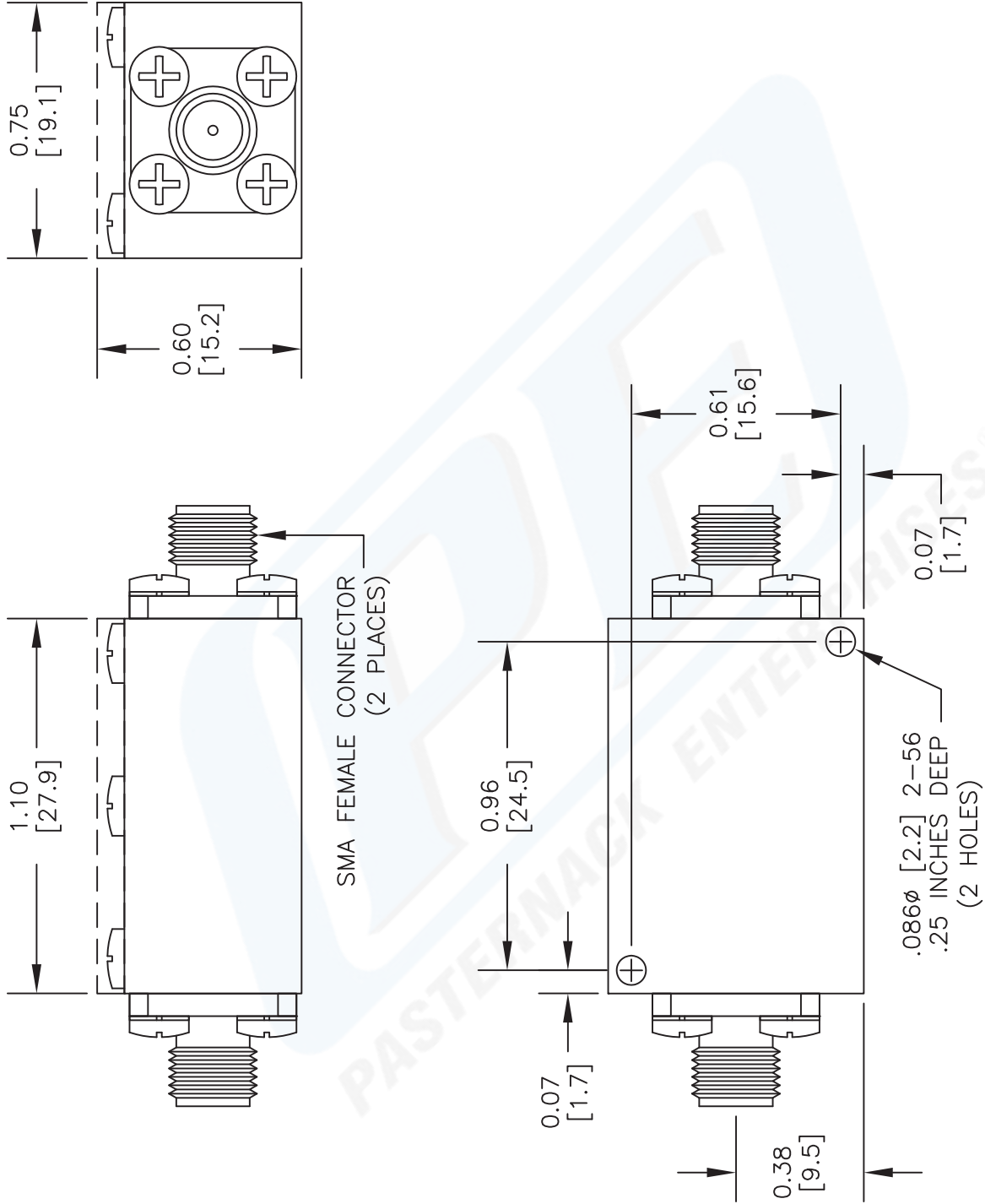
URL: <http://www.pasternack.com/5-section-high-pass-filter-1000-mhz-2.5-ghz-passband-1.5-ghz-pe8715-p.aspx>

5 Section Highpass Filter With SMA Female Connectors Operating From 1000 MHz To 2.5 GHz With a 1.5 GHz Passband from Pasternack Enterprises has same day shipment for domestic and International orders. Our RF, microwave and fiber optic products maintain a 99% availability and are part of the broadest selection in the industry.

The information contained in this document is accurate to the best of our knowledge and representative of the part described herein. It may be necessary to make modifications to the part and/or the documentation of the part, in order to implement improvements. Pasternack reserves the right to make such changes as required. Unless otherwise stated, all specifications are nominal.

PE8715 CAD Drawing

5 Section Highpass Filter With SMA Female Connectors Operating
From 1000 MHz To 2.5 GHz With a 1.5 GHz Passband



DWG TITLE

PE8715

NOTES:
1. UNLESS OTHERWISE SPECIFIED ALL DIMENSIONS ARE NOMINAL.
2. ALL SPECIFICATIONS ARE SUBJECT TO CHANGE WITHOUT NOTICE AT ANY TIME.
3. DIMENSIONS ARE IN INCHES [mm].

PASTERNAK ENTERPRISES, INC.

P.O. BOX 16759, IRVINE, CA 92623
PHONE (949) 261-1920 FAX (949) 261-7451

WEB ADDRESS: www.pasternack.com
E-MAIL ADDRESS: sales@pasternack.com

COAXIAL & FIBER OPTICS



ESTABLISHED 1972

FSCM NO. 53919

CAD FILE 042712

SCALE N/A

SIZE A

2233