



5 Section Tunable Band Pass Filter With N Female Connectors
Operating From 1.5 GHz to 3 GHz With a 5% Bandwidth

TECHNICAL DATA SHEET PE8733

Pasternack's Tunable Band Pass Filters and Band Reject Filters (also referred to as Band-Stop filters or Band-Rejection filters) are available in tunable frequency ranges from 100 MHz to 3 GHz. Tunable RF filter products are bench top units that are ideal for reducing harmonics and noise levels with lab-grade precision. The average power rating of these tunable filter components is 50 Watts and have a dial accuracy of 1%. Both the 3 section and 5 section bandpass and band-reject filters have a nominal 5% bandwidth that is tunable across the filter's frequency range.

- Available in both Band pass and Band reject
- 100 MHz to 3 GHz Frequency Ranges
- Typical VSWR is 1.5:1
- N-Type Connectors

Configuration

Design	Tunable Filter
Connector 1	N Female
Connector 2	N Female

Electrical Specifications (Values at 25°C, sea level)

Description	Minimum	Typical	Maximum	Units
Usable Frequency	1.5		3	GHz
Nominal Bandwidth		5		%
30 dB / 3 dB Ratio		2.2:1		
50 dB / 3 dB Ratio		3.5:1		
Tuning Dial Accuracy	1			%
VSWR			1.5:1	
Insertion Loss			1	dB
Impedance		50		Ohms
Input Power			50	Watts

Mechanical Specifications

Temperature	
Operating Range	-55 to +85 deg C
Storage Range	-55 to +125 deg C

Size	
Length	7.25 in 184.15 mm
Width	2.87 in 72.9 mm
Height	3 in 76.2 mm
Weight	2.17 lbs 984.3 g

Click the following link (or enter part number in "SEARCH" on website) to obtain additional part information including price, inventory and certifications: [5 Section Tunable Band Pass Filter With N Female Connectors Operating From 1.5 GHz to 3 GHz With a 5% Bandwidth PE8733](#)



5 Section Tunable Band Pass Filter With N Female Connectors
Operating From 1.5 GHz to 3 GHz With a 5% Bandwidth

TECHNICAL DATA SHEET

PE8733

Connectors

Description	Connector 1	Connector 2
Type	N Female	N Female

Compliance Certifications (see [product page](#) for current document)

Plotted and Other Data

Notes:

- Values at +25 °C, sea level

Click the following link (or enter part number in "SEARCH" on website) to obtain additional part information including price, inventory and certifications: [5 Section Tunable Band Pass Filter With N Female Connectors Operating From 1.5 GHz to 3 GHz With a 5% Bandwidth PE8733](#)

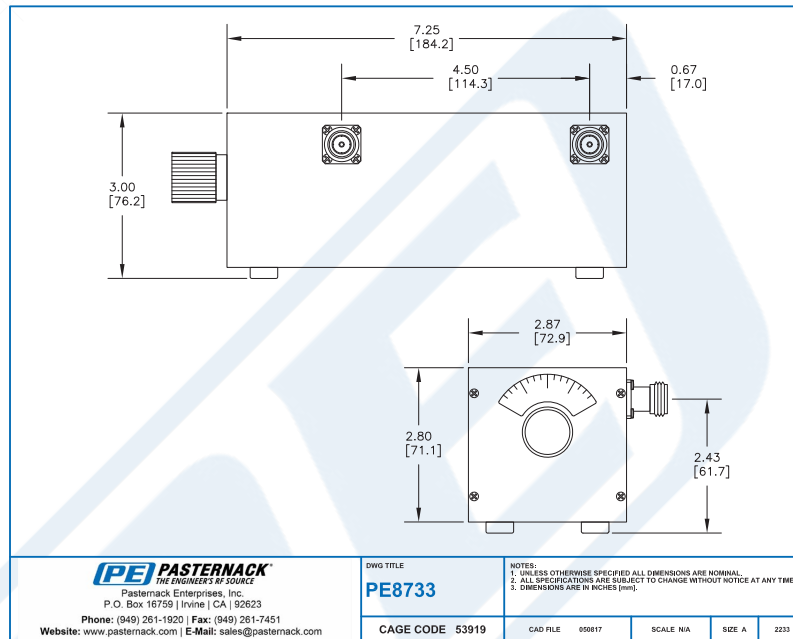


5 Section Tunable Band Pass Filter With N Female Connectors
Operating From 1.5 GHz to 3 GHz With a 5% Bandwidth

TECHNICAL DATA SHEET

PE8733

Outline Drawing



5 Section Tunable Band Pass Filter With N Female Connectors Operating From 1.5 GHz to 3 GHz With a 5% Bandwidth from Pasternack Enterprises has same day shipment for domestic and International orders. Our RF, microwave and millimeter wave products maintain a 99.4% availability and are part of the broadest selection in the industry.

Click the following link (or enter part number in "SEARCH" on website) to obtain additional part information including price, inventory and certifications: [5 Section Tunable Band Pass Filter With N Female Connectors Operating From 1.5 GHz to 3 GHz With a 5% Bandwidth PE8733](https://www.pasternack.com/5-section-tunable-band-pass-filter-1.5-3-ghz-pe8733-p.aspx)

URL: <https://www.pasternack.com/5-section-tunable-band-pass-filter-1.5-3-ghz-pe8733-p.aspx>

The information contained in this document is accurate to the best of our knowledge and representative of the part described herein. It may be necessary to make modifications to the part and/or the documentation of the part, in order to implement improvements. Pasternack reserves the right to make such changes as required. Unless otherwise stated, all specifications are nominal. Pasternack does not make any representation or warranty regarding the suitability of the part described herein for any particular purpose, and Pasternack does not assume any liability arising out of the use of any part or documentation.