



Low PIM SMA Male to 7/16 DIN Male Adapter Low VSWR

RF Adapters Technical Data Sheet

PE91043

Configuration

- SMA Male Connector 1
- 7/16 DIN Male Connector 2
- 50 Ohms
- Low PIM Design
- Straight Body Geometry

Features

- Max VSWR of 1.09:1 up to 7.5 GHz
- PIM levels lower than -170 dBc
- SMA Interface compliant with MIL-STD-348
- 7/16 DIN Interface compliant with IEC 169-4
- Gold Plated Brass Contact
- 30 µin min Gold Contact Plating

Applications

- Allows Connection Between Series
- General Purpose Test

Description

Pasternack's PE91043 Low PIM SMA male to 7/16 DIN male adapter is part of our full line of RF components available for same-day shipping. The SMA connector mates mechanically with commercially available 3.5mm and 2.92mm (K) connectors. Our SMA to 7/16 DIN adapter has a male to male gender configuration in a Low PIM design. PE91043 SMA male to 7/16 DIN male adapter operates to 7.5 GHz. The Pasternack RF adapter provides excellent VSWR of 1.09:1 maximum and passive intermodulation of -170 dBc maximum.

RF adapters are often used to enable connections between two connector types that would otherwise not mate. Certain adapter configurations can also be used to protect connectors on expensive equipment where the number of connect/disconnect cycles is high. An RF, microwave or millimeter wave adapter is connected to the equipment, and the commonly changed connection is made with the adapter which can be easily replaced when it wears out after high usage; such adapters are referred to as connector savers. Pasternack also offers bulkhead, panel mount, hermetically sealed, reverse polarity, and isolated ground adapter varieties to serve all of your RF, microwave and millimeter wave needs.

Electrical Specifications

Description	Minimum	Typical	Maximum	Units
Frequency Range	DC		7.5	GHz
VSWR			1.09:1	
Passive Intermodulation			-170	dBc
Dielectric Withstanding Voltage (AC)			1,000	Vrms

Electrical Specification Notes:
Values at 25°C, sea level.

Mechanical Specifications

Size	
Length	1.28 in [32.51 mm]
Width	1.25 in [31.75 mm]
Weight	0.177 lbs [80.29 g]

Click the following link (or enter part number in "SEARCH" on website) to obtain additional part information including price, inventory and certifications: [Low PIM SMA Male to 7/16 DIN Male Adapter Low VSWR PE91043](#)



Low PIM SMA Male to 7/16 DIN Male Adapter Low VSWR

RF Adapters Technical Data Sheet

PE91043

Description	Connector 1	Connector 2
Type	SMA Male	7/16 DIN Male
Polarity	Standard	Standard
Interface Specification	MIL-STD-348	IEC 169-4 (0.232 dia. Enhancement)
Mating Cycles	100	500
Hex Size	5/16 in.	1 1/2 in.
Mating Torque	221 to 265 in-lbs [24.97 to 29.95 Nm]	

Material Specifications

Description	Connector 1		Connector 2	
	Material	Plating	Material	Plating
Type	SMA Male		7/16 DIN Male	
Contact	Brass	Gold 30 µin minimum	Brass	Gold 30 µin minimum
Insulation	PTFE		PTFE	
Body	Brass	Tri-Metal 100 µin minimum	Brass	Tri-Metal 100 µin minimum
Coupling Nut	Brass	Tri-Metal 100 µin minimum	Brass	Tri-Metal 100 µin minimum

Environmental Specifications

Temperature

Operating Range -55 to +155 deg C

Compliance Certifications (see [product page](#) for current document)

Plotted and Other Data

Notes:

Click the following link (or enter part number in "SEARCH" on website) to obtain additional part information including price, inventory and certifications: [Low PIM SMA Male to 7/16 DIN Male Adapter Low VSWR PE91043](#)



Low PIM SMA Male to 7/16 DIN Male Adapter Low VSWR

RF Adapters Technical Data Sheet

PE91043

Low PIM SMA Male to 7/16 DIN Male Adapter Low VSWR from Pasternack Enterprises has same day shipment for domestic and International orders. Our RF, microwave and millimeter wave products maintain a 99% availability and are part of the broadest selection in the industry.

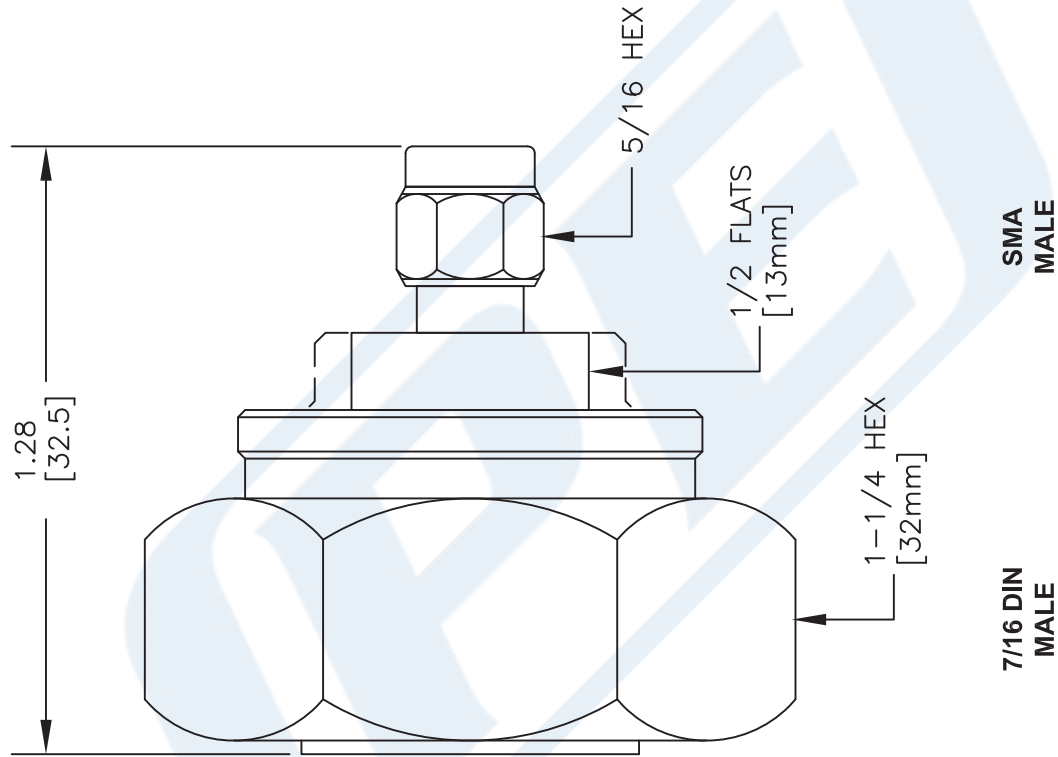
Click the following link (or enter part number in "SEARCH" on website) to obtain additional part information including price, inventory and certifications: [Low PIM SMA Male to 7/16 DIN Male Adapter Low VSWR PE91043](https://www.pasternack.com/sma-male-7-16-male-straight-adapter-pe91043-p.aspx)

URL: <https://www.pasternack.com/sma-male-7-16-male-straight-adapter-pe91043-p.aspx>

The information contained in this document is accurate to the best of our knowledge and representative of the part described herein. It may be necessary to make modifications to the part and/or the documentation of the part, in order to implement improvements. Pasternack reserves the right to make such changes as required. Unless otherwise stated, all specifications are nominal. Pasternack does not make any representation or warranty regarding the suitability of the part described herein for any particular purpose, and Pasternack does not assume any liability arising out of the use of any part or documentation.

PE91043 CAD Drawing

Low PIM SMA Male to 7/16 DIN Male Adapter Low VSWR



STANDARD TOLERANCES	
.X	±0.2
.XX	±0.1
.XXX	±0.05

*STANDARD TOLERANCES APPLY ONLY TO DIMENSIONS IN INCHES



Pasternack Enterprises, Inc.
 P.O. Box 16759 | Irvine | CA | 92623
Phone: (949) 261-1920 | **Fax:** (949) 261-7451
Website: www.pasternack.com | **E-Mail:** sales@pasternack.com

DWG TITLE

PE91043

NOTES:
 1. UNLESS OTHERWISE SPECIFIED ALL DIMENSIONS ARE NOMINAL.
 2. ALL SPECIFICATIONS ARE SUBJECT TO CHANGE WITHOUT NOTICE AT ANY TIME.
 3. DIMENSIONS ARE IN INCHES [mm].

FSCM NO. 53919

CAD FILE 083016

SCALE N/A

SIZE A

41742