



## SMC Jack to BNC Male Adapter

### RF Adapters Technical Data Sheet

PE9138

#### Configuration

- SMC Jack Connector 1
- BNC Male Connector 2
- 50 Ohms
- Straight Body Geometry

#### Features

- SMC Interface compliant with MIL-C-39012
- BNC Interface compliant with MIL-C-39012
- Gold Plated Brass Contact
- 3  $\mu$ -in min Gold Contact Plating

#### Applications

- Allows Connection Between Series
- General Purpose Test

#### Description

Pasternack's PE9138 SMC jack to BNC male adapter is part of our full line of RF components available for same-day shipping. Our SMC to BNC adapter has a jack to male gender configuration.

RF adapters are often used to enable connections between two connector types that would otherwise not mate. Certain adapter configurations can also be used to protect connectors on expensive equipment where the number of connect/disconnect cycles is high. An RF, microwave or millimeter wave adapter is connected to the equipment, and the commonly changed connection is made with the adapter which can be easily replaced when it wears out after high usage; such adapters are referred to as connector savers. Pasternack also offers bulkhead, panel mount, hermetically sealed, reverse polarity, and isolated ground adapter varieties to serve all of your RF, microwave and millimeter wave needs.

#### Mechanical Specifications

##### Size

Length	1.2 in [30.48 mm]
Width	0.57 in [14.48 mm]
Weight	0.034 lbs [15.42 g]

Description	Connector 1	Connector 2
Type	SMC Jack	BNC Male
Polarity	Standard	Standard
Interface Specification	MIL-C-39012	MIL-C-39012

#### Material Specifications

Description	Connector 1		Connector 2	
	Material	Plating	Material	Plating
Type	SMC Jack		BNC Male	
Contact	Brass	Gold 3 $\mu$ -in minimum	Brass	Gold 3 $\mu$ -in minimum
Insulation	PTFE		PTFE	

Click the following link (or enter part number in "SEARCH" on website) to obtain additional part information including price, inventory and certifications: [SMC Jack to BNC Male Adapter PE9138](#)



## SMC Jack to BNC Male Adapter

### RF Adapters Technical Data Sheet

PE9138

Outer Conductor	Brass	Nickel 70 μ-in minimum
Body	Brass	Nickel 70 μ-in minimum
Gasket	Silicone	
Coupling Nut	Brass	Nickel 70 μ-in minimum

#### Compliance Certifications (see [product page](#) for current document)

SMC Jack to BNC Male Adapter from Pasternack Enterprises has same day shipment for domestic and International orders. Our RF, microwave and millimeter wave products maintain a 99% availability and are part of the broadest selection in the industry.

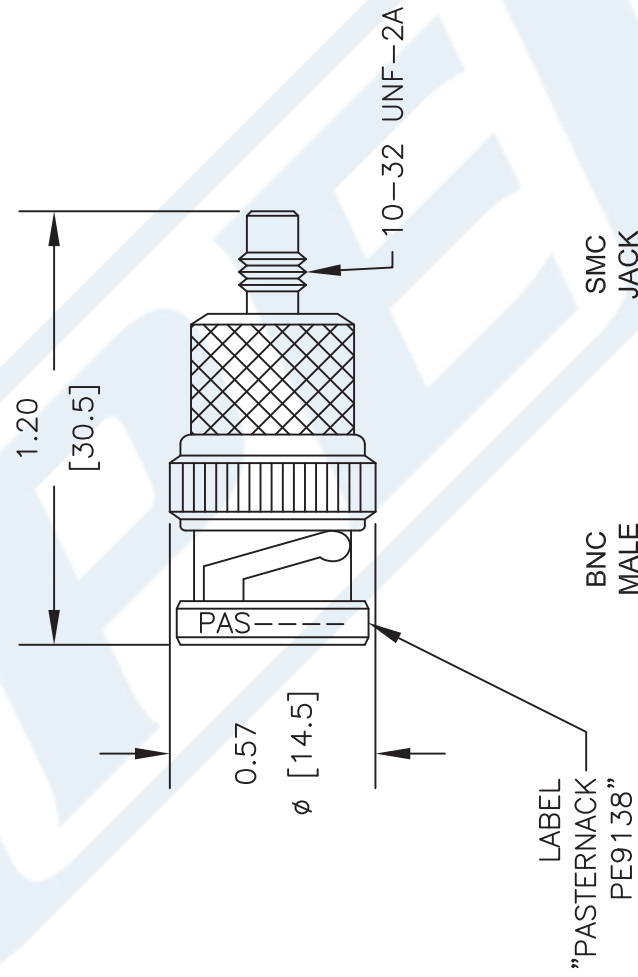
Click the following link (or enter part number in "SEARCH" on website) to obtain additional part information including price, inventory and certifications: [SMC Jack to BNC Male Adapter PE9138](#)

URL: <https://www.pasternack.com/smc-jack-bnc-male-straight-adapter-pe9138-p.aspx>

The information contained in this document is accurate to the best of our knowledge and representative of the part described herein. It may be necessary to make modifications to the part and/or the documentation of the part, in order to implement improvements. Pasternack reserves the right to make such changes as required. Unless otherwise stated, all specifications are nominal. Pasternack does not make any representation or warranty regarding the suitability of the part described herein for any particular purpose, and Pasternack does not assume any liability arising out of the use of any part or documentation.

# PE9138 CAD Drawing

## SMC Jack to BNC Male Adapter



STANDARD TOLERANCES	
.X	±0.2
.XX	±0.1
.XXX	±0.05

\*STANDARD TOLERANCES APPLY ONLY TO DIMENSIONS IN INCHES

**PE PASTERNAK**  
 THE ENGINEER'S RF SOURCE  
 Pasternack Enterprises, Inc.  
 P.O. Box 16759 | Irvine | CA | 92623  
**Phone:** (949) 261-1920 | **Fax:** (949) 261-7451  
**Website:** www.pasternack.com | **E-Mail:** sales@pasternack.com

DWG TITLE  
**PE9138**

FSCM NO. 53919

NOTES:  
 1. UNLESS OTHERWISE SPECIFIED ALL DIMENSIONS ARE NOMINAL.  
 2. ALL SPECIFICATIONS ARE SUBJECT TO CHANGE WITHOUT NOTICE AT ANY TIME.  
 3. DIMENSIONS ARE IN INCHES [mm].

CAD FILE 082316 SCALE N/A SIZE A 41742