



Low PIM 4.3-10 Male to 4.3-10 Female Adapter

RF Adapters Technical Data Sheet

PE91387

Configuration

- 4.3-10 Male Connector 1
- 4.3-10 Female Connector 2
- 50 Ohm
- Low PIM Design
- Straight Body Geometry

Features

- Max VSWR of 1.08:1 up to 6 GHz
- PIM levels lower than -166 dBc
- Silver Plated Bronze Contact
- Low Coupling Torque
- Corrosion Resistant Tri-Metal Finish

Applications

- Connector Saver
- General Purpose Test
- Low PIM Applications
- Mobile Communications Systems
- Base Stations
- Distributed Antenna Systems (DAS)
- Small Cells
- Feeder Cables

Description

Pasternack's PE91387 4.3-10 male to 4.3-10 female adapter is part of our full line of RF components available for same-day shipping. Our 4.3-10 to 4.3-10 adapter has a male to female gender configuration in a low PIM design. PE91387 4.3-10 male to 4.3-10 female adapter operates to 6 GHz. The Pasternack RF adapter provides excellent VSWR of 1.08:1 maximum and passive intermodulation of -166 dBc maximum. The PE91387 Pasternack RF adapter can also be used as a connector saver to extend equipment life.

RF adapters are often used to enable connections between two connector types that would otherwise not mate. Certain adapter configurations can also be used to protect connectors on expensive equipment where the number of connect/disconnect cycles is high. An RF, microwave or millimeter wave adapter is connected to the equipment, and the commonly changed connection is made with the adapter which can be easily replaced when it wears out after high usage; such adapters are referred to as connector savers. Pasternack also offers bulkhead, panel mount, hermetically sealed, reverse polarity, and isolated ground adapter varieties to serve all of your RF, microwave and millimeter wave needs.

Electrical Specifications

Description	Minimum	Typical	Maximum	Units
Frequency Range	DC		6	GHz
VSWR			1.08:1	
Insertion Loss			0.13	dB
Passive Intermodulation			-166	dBc
Operating Voltage (AC)			1,000	Vrms
Dielectric Withstanding Voltage (AC)			2,500	Vrms
Insulation Resistance	5,000			MOhms

Click the following link (or enter part number in "SEARCH" on website) to obtain additional part information including price, inventory and certifications: [Low PIM 4.3-10 Male to 4.3-10 Female Adapter PE91387](#)



Low PIM 4.3-10 Male to 4.3-10 Female Adapter

RF Adapters Technical Data Sheet

PE91387

Mechanical Specifications

Size

Length	1.51 in [38.35 mm]
Width	0.86 in [21.84 mm]
Weight	0.124 lbs [56.25 g]

Description	Connector 1	Connector 2
Type	4.3-10 Male	4.3-10 Female
Polarity	Standard	Standard
Mating Cycles	100	100
Hex Size	22 mm	
Contact Retention Force, Min	6 lbs [2.72 Kg]	6 lbs [2.72 Kg]

Material Specifications

Description	Connector 1		Connector 2	
	Material	Plating	Material	Plating
Type	4.3-10 Male		4.3-10 Female	
Contact	Bronze	Silver	Bronze	Silver
Insulation	PTFE		PTFE	
Outer Conductor			Bronze	Silver
Body	Brass	Tri-Metal	Brass	Tri-Metal
Gasket	Silicone			
Coupling Nut	Brass	Tri-Metal		

Environmental Specifications

Temperature

Operating Range	-55 to +90 deg C
-----------------	------------------

Compliance Certifications (see [product page](#) for current document)

Plotted and Other Data

Notes:

Click the following link (or enter part number in "SEARCH" on website) to obtain additional part information including price, inventory and certifications: [Low PIM 4.3-10 Male to 4.3-10 Female Adapter PE91387](#)



Low PIM 4.3-10 Male to 4.3-10 Female Adapter

RF Adapters Technical Data Sheet

PE91387

Low PIM 4.3-10 Male to 4.3-10 Female Adapter from Pasternack Enterprises has same day shipment for domestic and International orders. Our RF, microwave and millimeter wave products maintain a 99.4% availability and are part of the broadest selection in the industry.

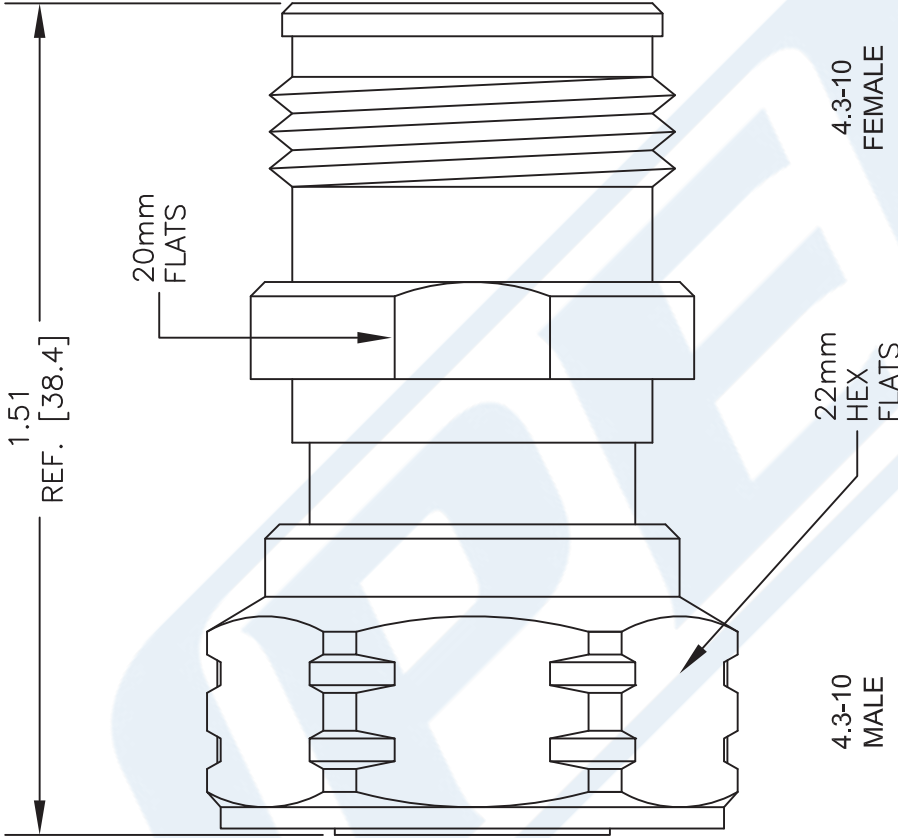
Click the following link (or enter part number in "SEARCH" on website) to obtain additional part information including price, inventory and certifications: [Low PIM 4.3-10 Male to 4.3-10 Female Adapter PE91387](https://www.pasternack.com/4.3-10-male-4.3-10-female-straight-adapter-pe91387-p.aspx)

URL: <https://www.pasternack.com/4.3-10-male-4.3-10-female-straight-adapter-pe91387-p.aspx>

The information contained in this document is accurate to the best of our knowledge and representative of the part described herein. It may be necessary to make modifications to the part and/or the documentation of the part, in order to implement improvements. Pasternack reserves the right to make such changes as required. Unless otherwise stated, all specifications are nominal. Pasternack does not make any representation or warranty regarding the suitability of the part described herein for any particular purpose, and Pasternack does not assume any liability arising out of the use of any part or documentation.

PE91387 CAD Drawing

Low PIM 4.3-10 Male to 4.3-10 Female Adapter



STANDARD TOLERANCES
 .X ±0.2
 .XX ±0.1
 .XXX ±0.05

*STANDARD TOLERANCES APPLY ONLY TO DIMENSIONS IN INCHES

<p style="text-align: center;">DWG TITLE</p> <h2 style="text-align: center; margin: 0;">PE91387</h2>	<p style="font-size: small;">NOTES:</p> <ol style="list-style-type: none"> 1. UNLESS OTHERWISE SPECIFIED ALL DIMENSIONS ARE NOMINAL. 2. ALL SPECIFICATIONS ARE SUBJECT TO CHANGE WITHOUT NOTICE AT ANY TIME. 3. DIMENSIONS ARE IN INCHES [mm]. 	<p style="font-size: small;">SCALE</p> <p style="text-align: center;">N/A</p>	<p style="font-size: small;">SIZE</p> <p style="text-align: center;">A</p>	<p style="font-size: small;">2233</p>
<p style="font-size: small;">CAGE CODE</p> <p style="text-align: center; font-weight: bold;">53919</p>	<p style="font-size: small;">CAD FILE</p> <p style="text-align: center;">110416</p>	<p style="font-size: small;">DWG TITLE</p> <p style="text-align: center; font-weight: bold; font-size: large;">PE91387</p>		
<div style="display: flex; justify-content: space-between; align-items: center;"> <div style="text-align: left;"> <p style="font-weight: bold; font-size: large; margin: 0;">PE</p> <p style="font-size: x-small; margin: 0;">THE ENGINEER'S RF SOURCE</p> <p style="font-size: x-small; margin: 0;">Pasternack Enterprises, Inc.</p> <p style="font-size: x-small; margin: 0;">P.O. Box 16759 Irvine CA 92623</p> <p style="font-size: x-small; margin: 0;">Phone: (949) 261-1920 Fax: (949) 261-7451</p> <p style="font-size: x-small; margin: 0;">Website: www.pasternack.com E-Mail: sales@pasternack.com</p> </div> </div>				