



High Temperature Adapter 2.4mm Male to 2.4mm Female, 50GHz VSWR1.3, MIL-STD 348B

## RF Adapters Technical Data Sheet

**PE91642**

### Configuration

- 2.4mm Male Connector 1
- 2.4mm Female Connector 2
- 50 Ohm
- High Temperature Adapter Design
- Straight Body Geometry

### Features

- Max VSWR of 1.3:1 up to 50 GHz
- Gold over Nickel Plated Beryllium Copper Contact

### Applications

- General Purpose Test

### Description

Pasternack's PE91642 2.4mm male to 2.4mm female adapter is part of our full line of RF components available for same-day shipping. The 2.4mm connector mates mechanically with commercially available 1.85mm (V) connectors. Our 2.4mm to 2.4mm adapter has a male to female gender configuration built of stainless steel in a high temperature adapter design. PE91642 2.4mm male to 2.4mm female adapter operates to 50 GHz. The Pasternack RF adapter provides good VSWR of 1.3:1 maximum.

RF adapters are often used to enable connections between two connector types that would otherwise not mate. Certain adapter configurations can also be used to protect connectors on expensive equipment where the number of connect/disconnect cycles is high. An RF, microwave or millimeter wave adapter is connected to the equipment, and the commonly changed connection is made with the adapter which can be easily replaced when it wears out after high usage; such adapters are referred to as connector savers. Pasternack also offers bulkhead, panel mount, hermetically sealed, reverse polarity, and isolated ground adapter varieties to serve all of your RF, microwave and millimeter wave needs.

### Electrical Specifications

Description	Minimum	Typical	Maximum	Units
Frequency Range	DC		50	GHz
VSWR			1.3:1	
Insertion Loss			0.29	dB
Operating Voltage (AC)			100	Vrms
Dielectric Withstanding Voltage (AC)			500	Vrms
Insulation Resistance	5,000			MOhms
RF Leakage			100	dB

### Mechanical Specifications

#### Size

Length	0.85 in [21.59 mm]
Width	0.31 in [7.87 mm]
Height	0.31 in [7.87 mm]

Click the following link (or enter part number in "SEARCH" on website) to obtain additional part information including price, inventory and certifications: [High Temperature Adapter 2.4mm Male to 2.4mm Female, 50GHz VSWR1.3, MIL-STD 348B PE91642](#)



High Temperature Adapter 2.4mm Male to 2.4mm Female, 50GHz VSWR1.3, MIL-STD 348B

## RF Adapters Technical Data Sheet

**PE91642**

Weight 0.01 lbs [4.08 g]

Description	Connector 1	Connector 2
Type	2.4mm Male	2.4mm Female
Polarity	Standard	Standard
Mating Cycles, Min	500	500
Hex Size	8 mm	
Mating Torque	7.08 to 9.74 in-lbs [0.80 to 1.10 Nm]	7.08 to 9.74 in-lbs 0.80 to 1.10 Nm
Contact Retention Force, Min	60.7 lbs [27.53 kg]	60.7 lbs [27.53 kg]
Contact Captivation Axial Force, Min	4.5 lbs [2.04 kg]	4.5 lbs [2.04 kg]
Coupling Proof Torque	15 in-lbs [1.7 Nm]	15 in-lbs [1.7 Nm]

### Material Specifications

Description	Connector 1		Connector 2	
	Material	Plating	Material	Plating
Type	2.4mm Male		2.4mm Female	
Contact	Beryllium Copper	Gold over Nickel	Beryllium Copper	Gold over Nickel
Insulation	PEI		PEI	
Body	Stainless Steel	Passivated	Stainless Steel	Passivated
Coupling Nut	Stainless Steel	Passivated		

### Environmental Specifications

#### Temperature

Operating Range -50 to +170 °C

Humidity

MIL-STD-202, Method 206

Thermal Shock

MIL-STD-202, Method 107, Condition B

Salt Spray

MIL-STD-202, Method 101, Condition B

**Compliance Certifications** (see [product page](#) for current document)

### Plotted and Other Data

Notes:

Click the following link (or enter part number in "SEARCH" on website) to obtain additional part information including price, inventory and certifications: [High Temperature Adapter 2.4mm Male to 2.4mm Female, 50GHz VSWR1.3, MIL-STD 348B PE91642](#)



High Temperature Adapter 2.4mm Male to 2.4mm  
Female, 50GHz VSWR1.3, MIL-STD 348B

## RF Adapters Technical Data Sheet

**PE91642**

High Temperature Adapter 2.4mm Male to 2.4mm Female, 50GHz VSWR1.3, MIL-STD 348B from Pasternack Enterprises has same day shipment for domestic and International orders. Our RF, microwave and millimeter wave products maintain a 99.4% availability and are part of the broadest selection in the industry.

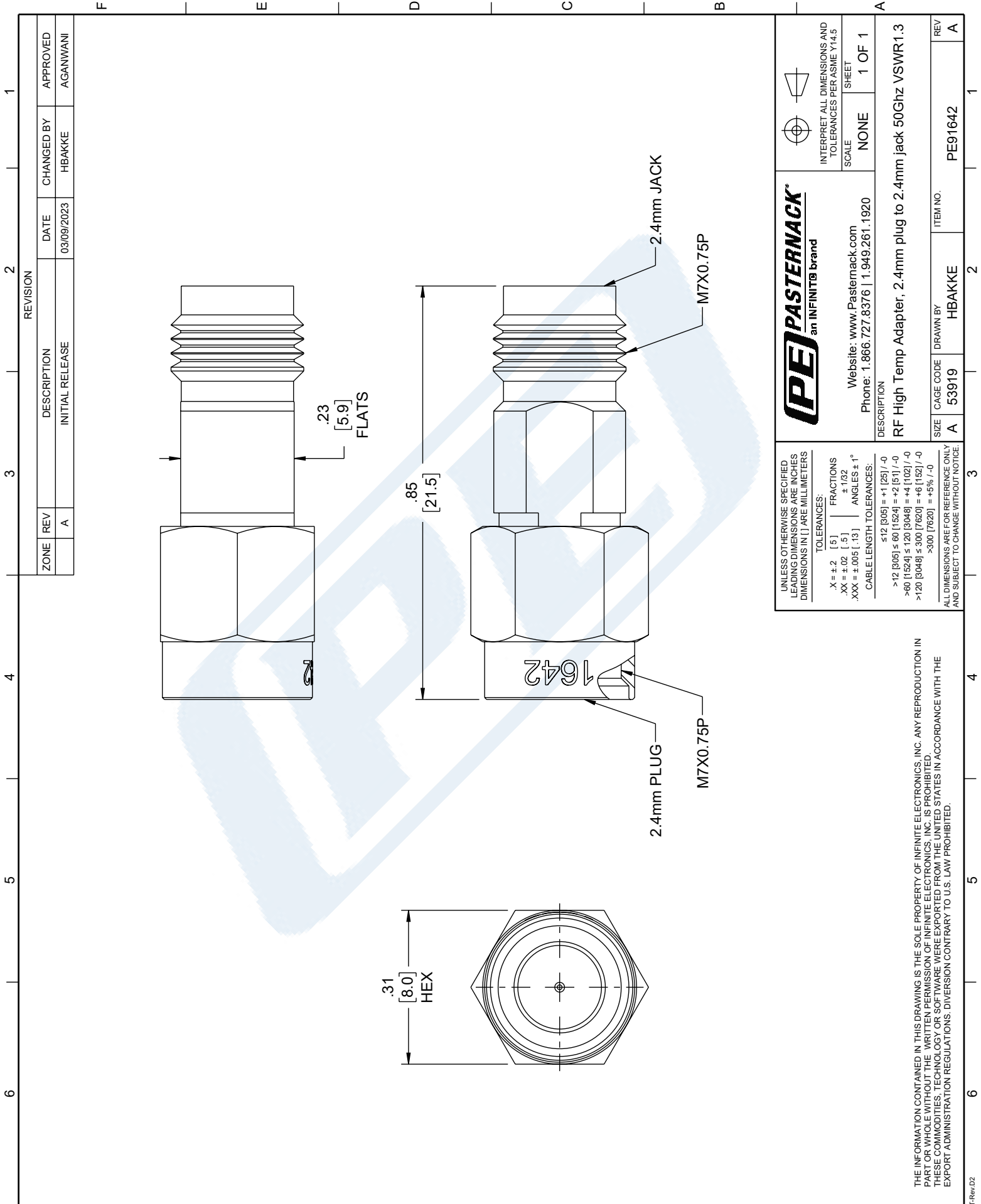
Click the following link (or enter part number in "SEARCH" on website) to obtain additional part information including price, inventory and certifications: [High Temperature Adapter 2.4mm Male to 2.4mm Female, 50GHz VSWR1.3, MIL-STD 348B PE91642](https://www.pasternack.com/high-temperature-adapter-2.4mm-male-to-2.4mm-female-adapter-50ghz-vswr1.3-mil-std-348b-pe91642-p.aspx)

URL: <https://www.pasternack.com/high-temperature-adapter-2.4mm-male-to-2.4mm-female-adapter-50ghz-vswr1.3-mil-std-348b-pe91642-p.aspx>

The information contained in this document is accurate to the best of our knowledge and representative of the part described herein. It may be necessary to make modifications to the part and/or the documentation of the part, in order to implement improvements. Pasternack reserves the right to make such changes as required. Unless otherwise stated, all specifications are nominal. Pasternack does not make any representation or warranty regarding the suitability of the part described herein for any particular purpose, and Pasternack does not assume any liability arising out of the use of any part or documentation.

# PE91642 CAD Drawing

High Temperature Adapter 2.4mm Male to 2.4mm Female, 50GHz VSWR1.3, MIL-STD 348B



ZONE		REVISION		DATE		CHANGED BY		APPROVED	
A	INITIAL RELEASE	03/09/2023	HBAKKE	AGANWANI					

**PE PASTERNAK**  
an INFINITO brand

Website: [www.Pasternack.com](http://www.Pasternack.com)  
Phone: 1.866.727.8376 | 1.949.261.1920

INTERPRET ALL DIMENSIONS AND TOLERANCES PER ASME Y14.5

SCALE: NONE SHEET: 1 OF 1

DESCRIPTION: RF High Temp Adapter, 2.4mm plug to 2.4mm jack 50Ghz VSWR1.3

UNLESS OTHERWISE SPECIFIED LEADING DIMENSIONS ARE INCHES DIMENSIONS IN [ ] ARE MILLIMETERS

TOLERANCES:  
 X = ±.2 [5] FRACTIONS ±.1032  
 .XX = ±.02 [.5] ANGLES ± 1°  
 .XXX = ±.005 [.13] CABLE LENGTH TOLERANCES:  
 ≤12 [305] = +1 [25] / -0  
 >12 [305] ≤ 60 [1524] = +2 [51] / -0  
 >60 [1524] ≤ 120 [3048] = +4 [102] / -0  
 >120 [3048] ≤ 300 [7620] = +6 [152] / -0  
 >300 [7620] = +5% / -0

ALL DIMENSIONS ARE FOR REFERENCE ONLY AND SUBJECT TO CHANGE WITHOUT NOTICE.

THE INFORMATION CONTAINED IN THIS DRAWING IS THE SOLE PROPERTY OF INFINITE ELECTRONICS, INC. ANY REPRODUCTION IN PART OR WHOLE WITHOUT THE WRITTEN PERMISSION OF INFINITE ELECTRONICS, INC. IS PROHIBITED. THESE COMMODITIES, TECHNOLOGY OR SOFTWARE WERE EXPORTED FROM THE UNITED STATES IN ACCORDANCE WITH THE EXPORT ADMINISTRATION REGULATIONS. DIVERSION CONTRARY TO U.S. LAW PROHIBITED.

SIZE	CAGE CODE	DRAWN BY	ITEM NO.	REV
A	53919	HBAKKE	PE91642	A