



High Temperature Adapter 1.85mm Male to 1.85mm Female, 67GHz VSWR1.25, MIL-STD 348B

## RF Adapters Technical Data Sheet

**PE91669**

### Configuration

- 1.85mm Male Connector 1
- 1.85mm Female Connector 2
- 50 Ohm
- High Temperature Adapter Design
- Straight Body Geometry

### Features

- Max VSWR of 1.25:1 up to 67 GHz
- Gold over Nickel Plated Beryllium Copper Contact

### Applications

- General Purpose Test

### Description

Pasternack's PE91669 1.85mm male to 1.85mm female adapter is part of our full line of RF components available for same-day shipping. The 1.85mm connector mates mechanically with commercially available 2.4mm connectors. Our 1.85mm to 1.85mm adapter has a male to female gender configuration built of stainless steel in a high temperature adapter design. PE91669 1.85mm male to 1.85mm female adapter operates to 67 GHz. The Pasternack RF adapter provides excellent VSWR of 1.25:1 maximum.

RF adapters are often used to enable connections between two connector types that would otherwise not mate. Certain adapter configurations can also be used to protect connectors on expensive equipment where the number of connect/disconnect cycles is high. An RF, microwave or millimeter wave adapter is connected to the equipment, and the commonly changed connection is made with the adapter which can be easily replaced when it wears out after high usage; such adapters are referred to as connector savers. Pasternack also offers bulkhead, panel mount, hermetically sealed, reverse polarity, and isolated ground adapter varieties to serve all of your RF, microwave and millimeter wave needs.

### Electrical Specifications

| Description                          | Minimum | Typical | Maximum | Units |
|--------------------------------------|---------|---------|---------|-------|
| Frequency Range                      | DC      |         | 67      | GHz   |
| VSWR                                 |         |         | 1.25:1  |       |
| Insertion Loss                       |         |         | 0.41    | dB    |
| Operating Voltage (AC)               |         |         | 150     | Vrms  |
| Dielectric Withstanding Voltage (AC) |         |         | 500     | Vrms  |
| Insulation Resistance                | 5,000   |         |         | MOhms |
| RF Leakage                           |         |         | 100     | dB    |

### Mechanical Specifications

#### Size

|        |                    |
|--------|--------------------|
| Length | 0.92 in [23.40 mm] |
| Width  | 0.31 in [8.00 mm]  |
| Height | 0.31 in [8.00 mm]  |

Click the following link (or enter part number in "SEARCH" on website) to obtain additional part information including price, inventory and certifications: [High Temperature Adapter 1.85mm Male to 1.85mm Female, 67GHz VSWR1.25, MIL-STD 348B PE91669](#)



High Temperature Adapter 1.85mm Male to 1.85mm Female, 67GHz VSWR1.25, MIL-STD 348B

## RF Adapters Technical Data Sheet

**PE91669**

Weight 0.05 lbs [22.68 g]

| Description                          | Connector 1                           | Connector 2                         |
|--------------------------------------|---------------------------------------|-------------------------------------|
| Type                                 | 1.85mm Male                           | 1.85mm Female                       |
| Polarity                             | Standard                              | Standard                            |
| Mating Cycles, Min                   | 500                                   | 500                                 |
| Hex Size                             | 8 mm                                  |                                     |
| Mating Torque                        | 7.08 to 9.74 in-lbs [0.80 to 1.10 Nm] | 7.08 to 9.74 in-lbs 0.80 to 1.10 Nm |
| Contact Captivation Axial Force, Min | 4.5 lbs [2.04 kg]                     | 4.5 lbs [2.04 kg]                   |
| Coupling Proof Torque                | 15 in-lbs [1.7 Nm]                    | 15 in-lbs [1.7 Nm]                  |

### Material Specifications

| Description  | Connector 1      |                  | Connector 2      |                  |
|--------------|------------------|------------------|------------------|------------------|
|              | Material         | Plating          | Material         | Plating          |
| Type         | 1.85mm Male      |                  | 1.85mm Female    |                  |
| Contact      | Beryllium Copper | Gold over Nickel | Beryllium Copper | Gold over Nickel |
| Insulation   | PEI              |                  | PEI              |                  |
| Body         | Stainless Steel  | Passivated       | Stainless Steel  | Passivated       |
| Coupling Nut | Stainless Steel  | Passivated       |                  |                  |

### Environmental Specifications

#### Temperature

Operating Range -50 to +170 °C

#### Humidity

#### Thermal Shock

#### Salt Spray

MIL-STD-202, Method 206

MIL-STD-202, Method 107, Condition B

MIL-STD-202, Method 101, Condition B

**Compliance Certifications** (see [product page](#) for current document)

### Plotted and Other Data

Notes:

Click the following link (or enter part number in "SEARCH" on website) to obtain additional part information including price, inventory and certifications: [High Temperature Adapter 1.85mm Male to 1.85mm Female, 67GHz VSWR1.25, MIL-STD 348B PE91669](#)



High Temperature Adapter 1.85mm Male to 1.85mm  
Female, 67GHz VSWR1.25, MIL-STD 348B

## RF Adapters Technical Data Sheet

**PE91669**

High Temperature Adapter 1.85mm Male to 1.85mm Female, 67GHz VSWR1.25, MIL-STD 348B from Pasternack Enterprises has same day shipment for domestic and International orders. Our RF, microwave and millimeter wave products maintain a 99.4% availability and are part of the broadest selection in the industry.

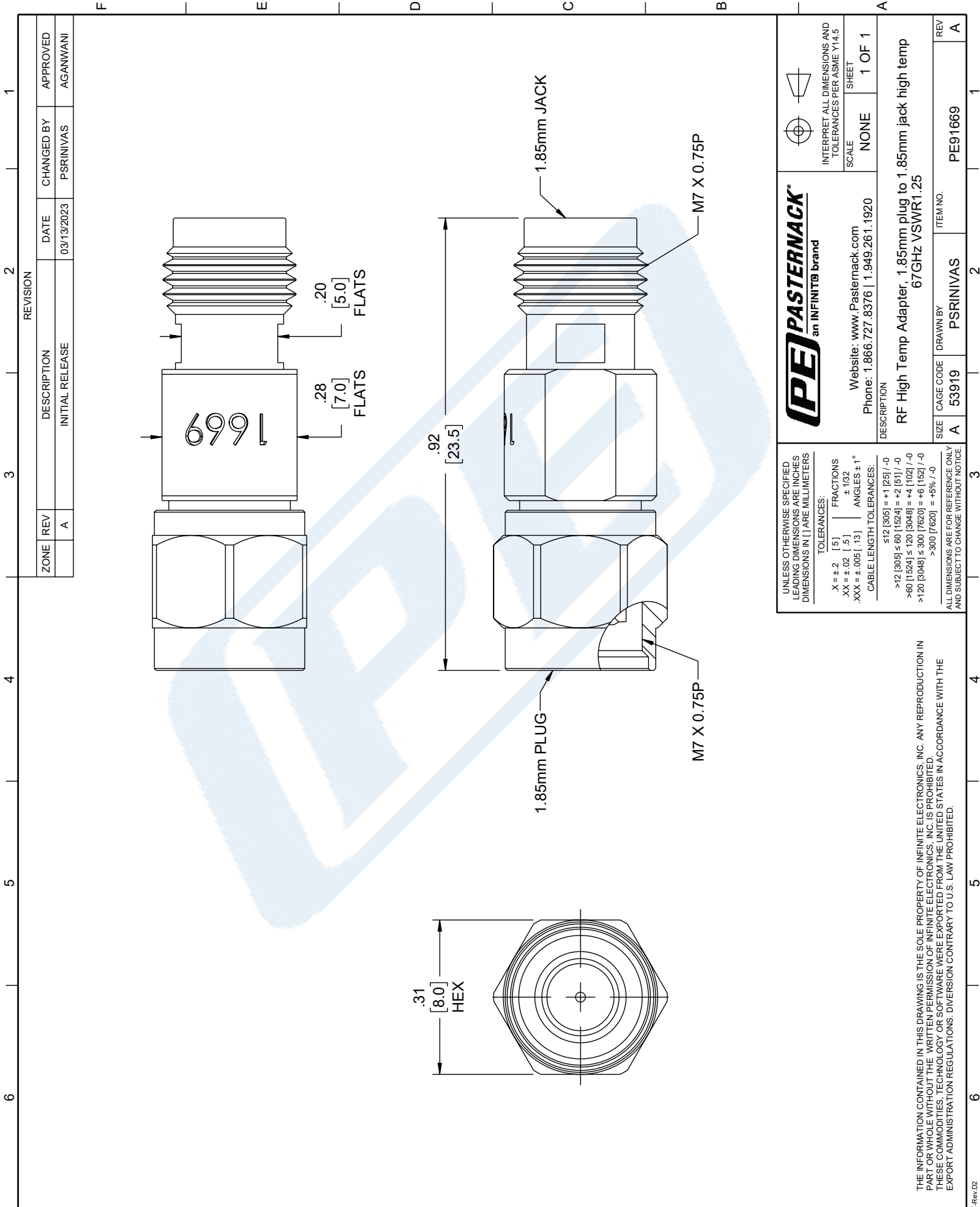
Click the following link (or enter part number in "SEARCH" on website) to obtain additional part information including price, inventory and certifications: [High Temperature Adapter 1.85mm Male to 1.85mm Female, 67GHz VSWR1.25, MIL-STD 348B PE91669](https://www.pasternack.com/high-temperature-adapter-1.85mm-male-to-1.85mm-female-adapter-67ghz-vswr1.25-mil-std-348b-pe91669-p.aspx)

URL: <https://www.pasternack.com/high-temperature-adapter-1.85mm-male-to-1.85mm-female-adapter-67ghz-vswr1.25-mil-std-348b-pe91669-p.aspx>

The information contained in this document is accurate to the best of our knowledge and representative of the part described herein. It may be necessary to make modifications to the part and/or the documentation of the part, in order to implement improvements. Pasternack reserves the right to make such changes as required. Unless otherwise stated, all specifications are nominal. Pasternack does not make any representation or warranty regarding the suitability of the part described herein for any particular purpose, and Pasternack does not assume any liability arising out of the use of any part or documentation.

# PE91669 CAD Drawing

High Temperature Adapter 1.85mm Male to 1.85mm Female, 67GHz VSWR1.25, MIL-STD 348B



| ZONE | REV | DESCRIPTION     | DATE       | CHANGED BY | APPROVED |
|------|-----|-----------------|------------|------------|----------|
|      | A   | INITIAL RELEASE | 03/13/2023 | PSRINIVAS  | AGANWANI |

|  |   |
|--|---|
| <p><b>PASTERNAK</b><br/>an INFINITI® brand</p>   | <p>INTERPRET ALL DIMENSIONS AND TOLERANCES PER ASME Y14.5</p>                                       |
|  | <p>SCALE: NONE</p> <p>SHEET: 1 OF 1</p>   |
| <p>Website: <a href="http://www.Pasternack.com">www.Pasternack.com</a></p> <p>Phone: 1.866.727.8376   1.949.261.1920</p> | <p>DESCRIPTION</p> <p>RF High Temp Adapter, 1.85mm plug to 1.85mm jack high temp 67GHz VSWR1.25</p> |
| <p>SIZE: A</p> <p>CAGE CODE: 53919</p> <p>DRAWN BY: PSRINIVAS</p> <p>ITEM NO.: PE91669</p>                               | <p>REV: A</p>   |

UNLESS OTHERWISE SPECIFIED LEADING DIMENSIONS ARE INCHES DIMENSIONS IN [ ] ARE MILLIMETERS

TOLERANCES:

|              |       |             |        |
|--------------|-------|-------------|--------|
| X = ±.2      | [.5]  | FRACTIONS   | ± 1/32 |
| XX = ±.02    | [.5]  | ANGLES ± 1° |        |
| .XXX = ±.005 | [.13] |             |        |

CABLE LENGTH TOLERANCES:

|             |            |     |
|-------------|------------|-----|
| <12 [305]   | ±.1 [25]   | /-0 |
| >12 [305]   | ±.2 [51]   | /-0 |
| >60 [1524]  | ±.4 [102]  | /-0 |
| >120 [3048] | ±.8 [192]  | /-0 |
| >300 [7620] | ±1.6 [127] | /-0 |

ALL DIMENSIONS ARE FOR REFERENCE ONLY AND SUBJECT TO CHANGE WITHOUT NOTICE

THE INFORMATION CONTAINED IN THIS DRAWING IS THE SOLE PROPERTY OF INFINITE ELECTRONICS, INC. ANY REPRODUCTION IN PART OR WHOLE WITHOUT THE WRITTEN PERMISSION OF INFINITE ELECTRONICS, INC. IS PROHIBITED. THESE COMMODITIES, TECHNOLOGY OR SOFTWARE WERE EXPORTED FROM THE UNITED STATES IN ACCORDANCE WITH THE EXPORT ADMINISTRATION REGULATIONS. DIVERSION CONTRARY TO U.S. LAW PROHIBITED.