



High Temperature Adapter 3.5mm Female to 2.4mm Male, 34.5GHz VSWR1.25, MIL-STD 348B

## RF Adapters Technical Data Sheet

**PE91676**

### Configuration

- 3.5mm Female Connector 1
- 2.4mm Male Connector 2
- 50 Ohm
- High Temperature Adapter Design
- Straight Body Geometry

### Features

- Max VSWR of 1.25:1 up to 34.5 GHz
- Gold over Nickel Plated Beryllium Copper Contact

### Applications

- Allows Connection Between Series
- General Purpose Test

### Description

Pasternack's PE91676 3.5mm female to 2.4mm male adapter is part of our full line of RF components available for same-day shipping. The 3.5mm connector mates mechanically with commercially available SMA and 2.92mm (K) connectors. The 2.4mm connector mates mechanically with commercially available 1.85mm (V) connectors. Our 3.5mm to 2.4mm adapter has a female to male gender configuration built of stainless steel in a high temperature adapter design. PE91676 3.5mm female to 2.4mm male adapter operates to 34.5 GHz. The Pasternack RF adapter provides excellent VSWR of 1.25:1 maximum.

RF adapters are often used to enable connections between two connector types that would otherwise not mate. Certain adapter configurations can also be used to protect connectors on expensive equipment where the number of connect/disconnect cycles is high. An RF, microwave or millimeter wave adapter is connected to the equipment, and the commonly changed connection is made with the adapter which can be easily replaced when it wears out after high usage; such adapters are referred to as connector savers. Pasternack also offers bulkhead, panel mount, hermetically sealed, reverse polarity, and isolated ground adapter varieties to serve all of your RF, microwave and millimeter wave needs.

### Electrical Specifications

Description	Minimum	Typical	Maximum	Units
Frequency Range	DC		34.5	GHz
VSWR			1.25:1	
Insertion Loss			0.24	dB
Operating Voltage (AC)			250	Vrms
Dielectric Withstanding Voltage (AC)			750	Vrms
Insulation Resistance	5,000			MOhms
RF Leakage			100	dB

### Mechanical Specifications

#### Size

Length	0.81 in [20.57 mm]
Width	0.31 in [7.87 mm]
Height	0.31 in [7.87 mm]

Click the following link (or enter part number in "SEARCH" on website) to obtain additional part information including price, inventory and certifications: [High Temperature Adapter 3.5mm Female to 2.4mm Male, 34.5GHz VSWR1.25, MIL-STD 348B PE91676](#)



High Temperature Adapter 3.5mm Female to 2.4mm Male, 34.5GHz VSWR1.25, MIL-STD 348B

## RF Adapters Technical Data Sheet

**PE91676**

Weight 0.01 lbs [4.54 g]

Description	Connector 1	Connector 2
Type	3.5mm Female	2.4mm Male
Polarity	Standard	Standard
Mating Cycles, Min	500	500
Hex Size		8 mm
Mating Torque	7.1 to 9.7 in-lbs [0.80 to 1.10 Nm]	7.08 to 9.74 in-lbs 0.80 to 1.10 Nm
Contact Retention Force, Min		60.7 lbs [27.53 kg]
Contact Captivation Axial Force, Min	6.1 lbs [2.77 kg]	4.5 lbs [2.04 kg]
Coupling Proof Torque	15 in-lbs [1.7 Nm]	15 in-lbs [1.7 Nm]

### Material Specifications

Description	Connector 1		Connector 2	
	Material	Plating	Material	Plating
Type	3.5mm Female		2.4mm Male	
Contact	Beryllium Copper	Gold over Nickel	Beryllium Copper	Gold over Nickel
Insulation	PEI		PEI	
Body	Stainless Steel	Passivated	Stainless Steel	Passivated
Coupling Nut			Stainless Steel	Passivated

### Environmental Specifications

#### Temperature

Operating Range -50 to +170 °C

Humidity

MIL-STD-202, Method 206

Thermal Shock

MIL-STD-202, Method 107, Condition B

Salt Spray

MIL-STD-202, Method 101, Condition B

**Compliance Certifications** (see [product page](#) for current document)

### Plotted and Other Data

Notes:

Click the following link (or enter part number in "SEARCH" on website) to obtain additional part information including price, inventory and certifications: [High Temperature Adapter 3.5mm Female to 2.4mm Male, 34.5GHz VSWR1.25, MIL-STD 348B PE91676](#)



High Temperature Adapter 3.5mm Female to 2.4mm  
Male, 34.5GHz VSWR1.25, MIL-STD 348B

## RF Adapters Technical Data Sheet

**PE91676**

High Temperature Adapter 3.5mm Female to 2.4mm Male, 34.5GHz VSWR1.25, MIL-STD 348B from Pasternack Enterprises has same day shipment for domestic and International orders. Our RF, microwave and millimeter wave products maintain a 99.4% availability and are part of the broadest selection in the industry.

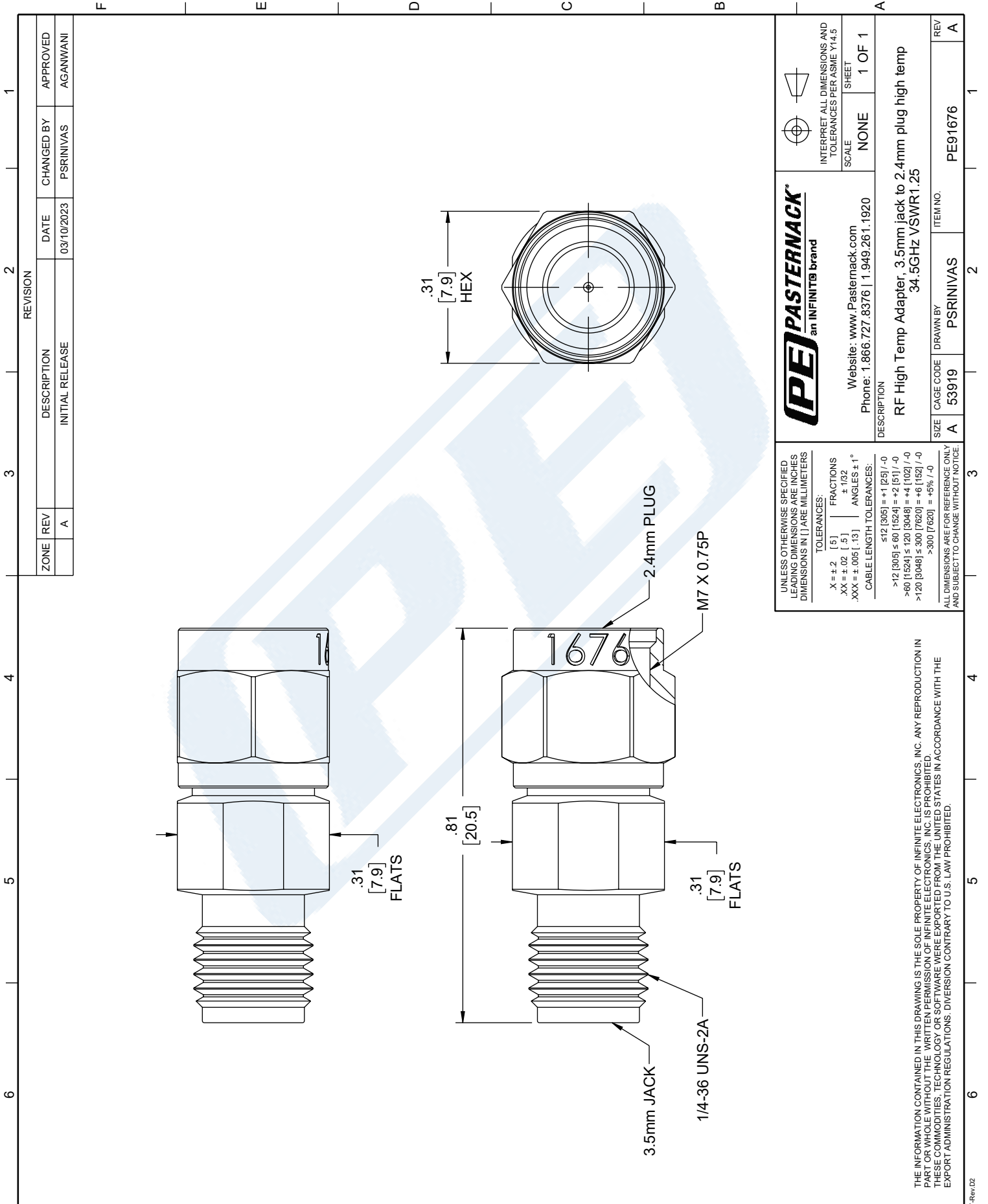
Click the following link (or enter part number in "SEARCH" on website) to obtain additional part information including price, inventory and certifications: [High Temperature Adapter 3.5mm Female to 2.4mm Male, 34.5GHz VSWR1.25, MIL-STD 348B PE91676](https://www.pasternack.com/high-temperature-adapter-3.5mm-female-to-2.4mm-male-adapter-34.5ghz-vswr1.25-mil-std-348b-pe91676-p.aspx)

URL: <https://www.pasternack.com/high-temperature-adapter-3.5mm-female-to-2.4mm-male-adapter-34.5ghz-vswr1.25-mil-std-348b-pe91676-p.aspx>

The information contained in this document is accurate to the best of our knowledge and representative of the part described herein. It may be necessary to make modifications to the part and/or the documentation of the part, in order to implement improvements. Pasternack reserves the right to make such changes as required. Unless otherwise stated, all specifications are nominal. Pasternack does not make any representation or warranty regarding the suitability of the part described herein for any particular purpose, and Pasternack does not assume any liability arising out of the use of any part or documentation.

# PE91676 CAD Drawing

High Temperature Adapter 3.5mm Female to 2.4mm Male, 34.5GHz VSWR1.25, MIL-STD 348B



ZONE	REV	DESCRIPTION	DATE	CHANGED BY	APPROVED
	A	INITIAL RELEASE	03/10/2023	PSRINIVAS	AGANWANI

REVISION	1	2	3	4	5	6

**PE PASTERNAK**  
an INFINITO brand

Website: [www.Pasternack.com](http://www.Pasternack.com)  
Phone: 1.866.727.8376 | 1.949.261.1920

UNLESS OTHERWISE SPECIFIED LEADING DIMENSIONS ARE INCHES DIMENSIONS IN [ ] ARE MILLIMETERS

TOLERANCES:  
 X = ±.2 [5] | FRACTIONS ± 1/32  
 XX = ±.02 [.5] | ANGLES ± 1°  
 .XXX = ±.005 [.13] | CABLE LENGTH TOLERANCES:  
 ≤12 [305] ≤ 60 [1524] = +1 [25] / -0  
 >60 [1524] ≤ 120 [3048] = +4 [102] / -0  
 >120 [3048] ≤ 300 [7620] = +6 [152] / -0  
 >300 [7620] = +5% / -0

ALL DIMENSIONS ARE FOR REFERENCE ONLY AND SUBJECT TO CHANGE WITHOUT NOTICE

INTERPRET ALL DIMENSIONS AND TOLERANCES PER ASME Y14.5

SCALE NONE SHEET 1 OF 1

DESCRIPTION: RF High Temp Adapter, 3.5mm jack to 2.4mm plug high temp 34.5GHz VSWR1.25

SIZE A CAGE CODE A 53919 DRAWN BY PSRINIVAS ITEM NO. PE91676 REV A