



## BNC Twinax Tee Adapter Jack-Plug-Jack

### RF Adapters Technical Data Sheet

PE9375

#### Configuration

- BNC Twinax Jack Connector 1
- BNC Twinax Plug Connector 2
- 78 Ohms
- Tee Body Geometry

#### Features

- BNC Twinax interface compliant with MIL-STD-348
- Contact plating according to MIL-G-45204
- Gold over Nickel Plated Beryllium Copper Contact

#### Applications

- General Purpose Test

#### Description

Pasternack's PE9375 BNC Twinax tee adapter jack-plug-jack is part of our full line of RF components available for same-day shipping. Our BNC Twinax tee adapter has a jack-plug-jack gender configuration. Tee adapters (also called tee connectors) are three port devices that can be used to split or combine a signal. Unlike power dividers/combiners, however, they do not provide matched impedance at all ports.

RF adapters are often used to enable connections between two connector types that would otherwise not mate. Certain adapter configurations can also be used to protect connectors on expensive equipment where the number of connect/disconnect cycles is high. An RF, microwave or millimeter wave adapter is connected to the equipment, and the commonly changed connection is made with the adapter which can be easily replaced when it wears out after high usage; such adapters are referred to as connector savers. Pasternack also offers bulkhead, panel mount, hermetically sealed, reverse polarity, and isolated ground adapter varieties to serve all of your RF, microwave and millimeter wave needs.

#### Electrical Specifications

Description	Minimum	Typical	Maximum	Units
Operating Voltage (AC)			500	Vrms
Dielectric Withstanding Voltage (AC)			1,500	Vrms
Insulation Resistance	5,000			MOhms

Electrical Specification Notes:  
Values at 25°C, sea level

#### Mechanical Specifications

Size	
Length	1.143 in [29.03 mm]
Width	1.341 in [34.06 mm]
Height	1.03 in [26.16 mm]
Weight	0.055 lbs [24.95 g]

Click the following link (or enter part number in "SEARCH" on website) to obtain additional part information including price, inventory and certifications: [BNC Twinax Tee Adapter Jack-Plug-Jack PE9375](#)



BNC Twinax Tee Adapter Jack-Plug-Jack

RF Adapters Technical Data Sheet

PE9375

Description	Connector 1	Connector 2
Type	BNC Twinax Jack	BNC Twinax Plug
Polarity	Standard	Standard
Interface Specification	MIL-STD-348	MIL-STD-348

**Material Specifications**

Description	Connector 1		Connector 2	
	Material	Plating	Material	Plating
Type	BNC Twinax Jack		BNC Twinax Plug	
Contact	Beryllium Copper	Gold over Nickel MIL-G-45204	Beryllium Copper	Gold over Nickel MIL-G-45204
Insulation	PTFE		PTFE	
Outer Conductor	Brass	Nickel 200 μ-in. minimum		
Body			Brass	Nickel 200 μ-in. minimum
Coupling Nut			Brass	Nickel 200 μ-in. minimum

**Environmental Specifications**

**Temperature**

Operating Range -65 to +165 deg C

**Compliance Certifications** (see [product page](#) for current document)

**Plotted and Other Data**

Notes:

Click the following link (or enter part number in "SEARCH" on website) to obtain additional part information including price, inventory and certifications: [BNC Twinax Tee Adapter Jack-Plug-Jack PE9375](#)



## BNC Twinax Tee Adapter Jack-Plug-Jack

### RF Adapters Technical Data Sheet

PE9375

BNC Twinax Tee Adapter Jack-Plug-Jack from Pasternack Enterprises has same day shipment for domestic and International orders. Our RF, microwave and millimeter wave products maintain a 99% availability and are part of the broadest selection in the industry.

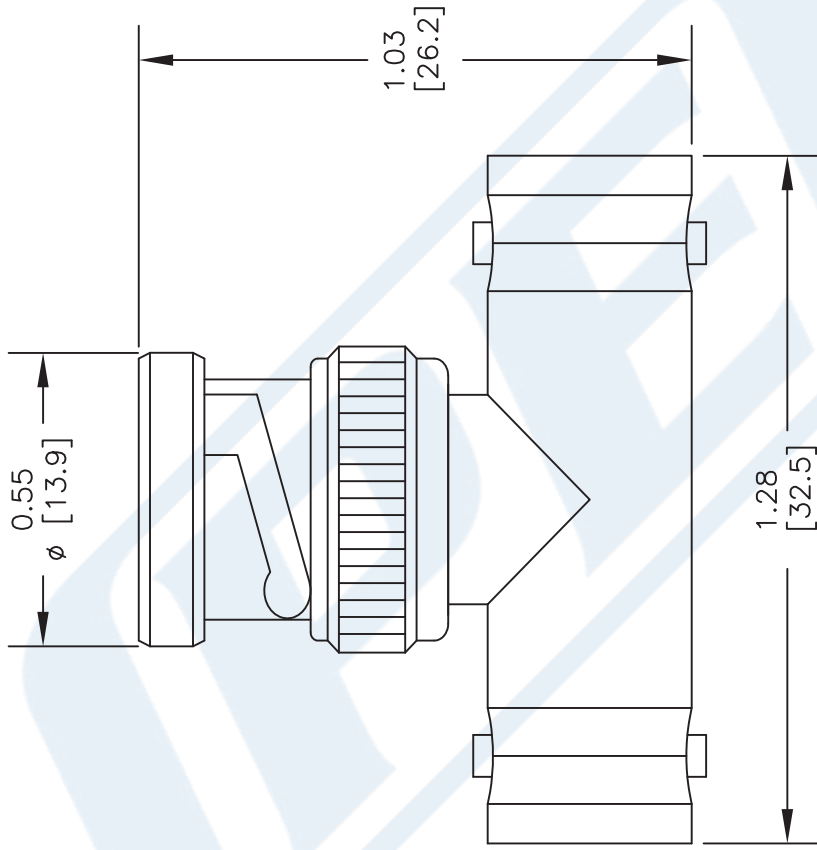
Click the following link (or enter part number in "SEARCH" on website) to obtain additional part information including price, inventory and certifications: [BNC Twinax Tee Adapter Jack-Plug-Jack PE9375](https://www.pasternack.com/bnc-twinax-jack-plug-jack-tee-adapter-pe9375-p.aspx)

URL: <https://www.pasternack.com/bnc-twinax-jack-plug-jack-tee-adapter-pe9375-p.aspx>

The information contained in this document is accurate to the best of our knowledge and representative of the part described herein. It may be necessary to make modifications to the part and/or the documentation of the part, in order to implement improvements. Pasternack reserves the right to make such changes as required. Unless otherwise stated, all specifications are nominal. Pasternack does not make any representation or warranty regarding the suitability of the part described herein for any particular purpose, and Pasternack does not assume any liability arising out of the use of any part or documentation.

# PE9375 CAD Drawing

## BNC Twinax Tee Adapter Jack-Plug-Jack



DWG TITLE

**PE9375**

NOTES:  
 1. UNLESS OTHERWISE SPECIFIED ALL DIMENSIONS ARE NOMINAL.  
 2. ALL SPECIFICATIONS ARE SUBJECT TO CHANGE WITHOUT NOTICE AT ANY TIME.  
 3. DIMENSIONS ARE IN INCHES [mm].

REV. B

FSCM NO. 53919

CAD FILE 082112

SCALE N/A

SIZE A

2233



Pasternack Enterprises, Inc.  
 P.O. Box 16759 | Irvine | CA | 92623

Phone: (949) 261-1920 | Fax: (949) 261-7451

Website: [www.pasternack.com](http://www.pasternack.com) | E-Mail: [sales@pasternack.com](mailto:sales@pasternack.com)