



## Hermetically Sealed BNC Female to BNC Female Bulkhead Adapter For 1 inch Max. Panel

### RF Adapters Technical Data Sheet

PE9420

#### Configuration

- BNC Female Connector 1
- BNC Female Connector 2
- 50 Ohms
- Straight Body Geometry
- Bulkhead Mount Method

#### Features

- Hermetically Sealed
- BNC Interface compliant with MIL-STD-348
- Silver Plated Contact
- Contact Plating per QQ-S-365

#### Applications

- General Purpose Test
- Vacuum Test Environment
- Rack Mounted Equipment

#### Description

Pasternack's PE9420 hermetically sealed BNC female to BNC female bulkhead adapter is part of our full line of RF components available for same-day shipping. Our BNC to BNC adapter has a female to female gender configuration. This RF BNC to BNC bulkhead adapter allows designers to create external connections on their product enclosures, and can be used in a variety of other rack mount and panel mount applications. This hermetic BNC to BNC adapter prevents the leakage of gases, making it suitable for high pressure or vacuum applications or whenever an airtight seal is required.

RF adapters are often used to enable connections between two connector types that would otherwise not mate. Certain adapter configurations can also be used to protect connectors on expensive equipment where the number of connect/disconnect cycles is high. An RF, microwave or millimeter wave adapter is connected to the equipment, and the commonly changed connection is made with the adapter which can be easily replaced when it wears out after high usage; such adapters are referred to as connector savers. Pasternack also offers bulkhead, panel mount, hermetically sealed, reverse polarity, and isolated ground adapter varieties to serve all of your RF, microwave and millimeter wave needs.

#### Mechanical Specifications

##### Size

|        |                     |
|--------|---------------------|
| Length | 2.282 in [57.96 mm] |
| Width  | 0.687 in [17.45 mm] |
| Weight | 0.082 lbs [37.19 g] |

| Description             | Connector 1         | Connector 2         |
|-------------------------|---------------------|---------------------|
| Type                    | BNC Female          | BNC Female          |
| Polarity                | Standard            | Standard            |
| Interface Specification | MIL-STD-348         | MIL-STD-348         |
| Connector Option        | Hermetically Sealed | Hermetically Sealed |

Click the following link (or enter part number in "SEARCH" on website) to obtain additional part information including price, inventory and certifications: [Hermetically Sealed BNC Female to BNC Female Bulkhead Adapter For 1 inch Max. Panel PE9420](#)



Hermetically Sealed BNC Female to BNC Female Bulkhead Adapter For 1 inch Max. Panel

RF Adapters Technical Data Sheet

PE9420

**Material Specifications**

| Description     | Connector 1 |                    | Connector 2 |                    |
|-----------------|-------------|--------------------|-------------|--------------------|
|                 | Material    | Plating            | Material    | Plating            |
| Type            | BNC Female  |                    | BNC Female  |                    |
| Contact         |             | Silver<br>QQ-S-365 |             | Silver<br>QQ-S-365 |
| Insulation      | PTFE        |                    | PTFE        |                    |
| Outer Conductor | Brass       | Nickel<br>QQ-N-290 | Brass       | Nickel<br>QQ-N-290 |

**Compliance Certifications** (see [product page](#) for current document)

Hermetically Sealed BNC Female to BNC Female Bulkhead Adapter For 1 inch Max. Panel from Pasternack Enterprises has same day shipment for domestic and International orders. Our RF, microwave and millimeter wave products maintain a 99% availability and are part of the broadest selection in the industry.

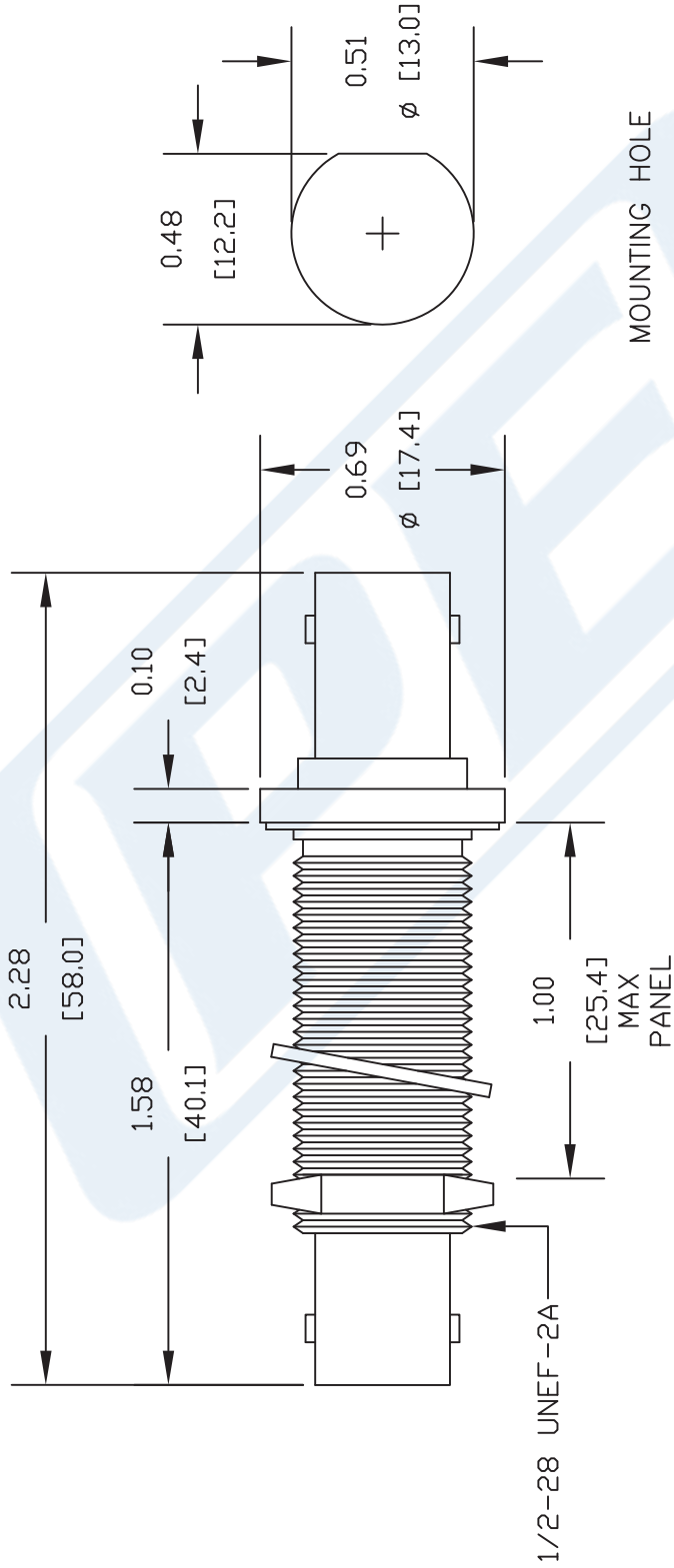
Click the following link (or enter part number in "SEARCH" on website) to obtain additional part information including price, inventory and certifications: [Hermetically Sealed BNC Female to BNC Female Bulkhead Adapter For 1 inch Max. Panel PE9420](#)

URL: <https://www.pasternack.com/bnc-female-bnc-female-straight-adapter-pe9420-p.aspx>

The information contained in this document is accurate to the best of our knowledge and representative of the part described herein. It may be necessary to make modifications to the part and/or the documentation of the part, in order to implement improvements. Pasternack reserves the right to make such changes as required. Unless otherwise stated, all specifications are nominal. Pasternack does not make any representation or warranty regarding the suitability of the part described herein for any particular purpose, and Pasternack does not assume any liability arising out of the use of any part or documentation.

# PE9420 CAD Drawing

Hermetically Sealed BNC Female to BNC Female Bulkhead Adapter For 1 inch Max. Panel



DWG TITLE

**PE9420**

NOTES:  
1. UNLESS OTHERWISE SPECIFIED ALL DIMENSIONS ARE NOMINAL.  
2. ALL SPECIFICATIONS ARE SUBJECT TO CHANGE WITHOUT NOTICE AT ANY TIME.  
3. DIMENSIONS ARE IN INCHES [mm].

**PASTERNAK ENTERPRISES, INC.**  
PO BOX 16759, IRVINE, CA 92623  
PHONE (949) 261-1920 FAX (949) 261-7451  
WEB ADDRESS: [www.pasternack.com](http://www.pasternack.com)  
E-MAIL ADDRESS: [sales@pasternack.com](mailto:sales@pasternack.com)  
**COAXIAL & FIBER OPTICS**



REV. A

FSCM NO. 53919

CAD FILE 042110

SCALE N/A

SIZE A

127