



Precision Bulkhead SMA Male to N Female Adapter

RF Adapters Technical Data Sheet

PE9488

Configuration

- SMA Male Connector 1
- N Female Connector 2
- 50 Ohms
- Precision Design
- Straight Body Geometry
- Bulkhead Mount Method

Features

- Max VSWR of 1.15:1 up to 18 GHz
- SMA Interface compliant with MIL-STD-348
- N Interface compliant with MIL-STD-348
- Gold Plated Beryllium Copper Contact

Applications

- Allows Connection Between Series
- Rack Mounted Equipment
- General Purpose Test
- Precision Test & Measurement

Description

Pasternack's PE9488 precision bulkhead SMA male to type N female adapter is part of our full line of RF components available for same-day shipping. The SMA connector mates mechanically with commercially available 3.5mm and 2.92mm (K) connectors. Our SMA to type N adapter has a male to female gender configuration in a precision design. PE9488 SMA male to type N female adapter operates to 18 GHz. The Pasternack RF adapter provides excellent VSWR of 1.15:1 maximum. This RF SMA bulkhead to type N adapter allows designers to create external connections on their product enclosures, and can be used in a variety of other rack mount and panel mount applications.

RF adapters are often used to enable connections between two connector types that would otherwise not mate. Certain adapter configurations can also be used to protect connectors on expensive equipment where the number of connect/disconnect cycles is high. An RF, microwave or millimeter wave adapter is connected to the equipment, and the commonly changed connection is made with the adapter which can be easily replaced when it wears out after high usage; such adapters are referred to as connector savers. Pasternack also offers bulkhead, panel mount, hermetically sealed, reverse polarity, and isolated ground adapter varieties to serve all of your RF, microwave and millimeter wave needs.

Electrical Specifications

Description	Minimum	Typical	Maximum	Units
Frequency Range	DC		18	GHz
VSWR			1.15:1	

Mechanical Specifications

Size	
Length	1.65 in [41.91 mm]
Width	0.895 in [22.73 mm]
Weight	0.101 lbs [45.81 g]

Click the following link (or enter part number in "SEARCH" on website) to obtain additional part information including price, inventory and certifications: [Precision Bulkhead SMA Male to N Female Adapter PE9488](#)



Precision Bulkhead SMA Male to N Female Adapter

RF Adapters Technical Data Sheet

PE9488

Description	Connector 1	Connector 2
Type	SMA Male	N Female
Polarity	Standard	Standard
Interface Specification	MIL-STD-348	MIL-STD-348

Material Specifications

Description	Connector 1		Connector 2	
	Material	Plating	Material	Plating
Type	SMA Male		N Female	
Contact	Beryllium Copper	Gold	Beryllium Copper	Gold
Outer Conductor			Passivated Stainless Steel	
Body	Passivated Stainless Steel			
Coupling Nut	Passivated Stainless Steel			

Environmental Specifications

Temperature

Operating Range -65 to +125 deg C

Compliance Certifications (see [product page](#) for current document)

Plotted and Other Data

Notes:

Click the following link (or enter part number in "SEARCH" on website) to obtain additional part information including price, inventory and certifications: [Precision Bulkhead SMA Male to N Female Adapter PE9488](#)

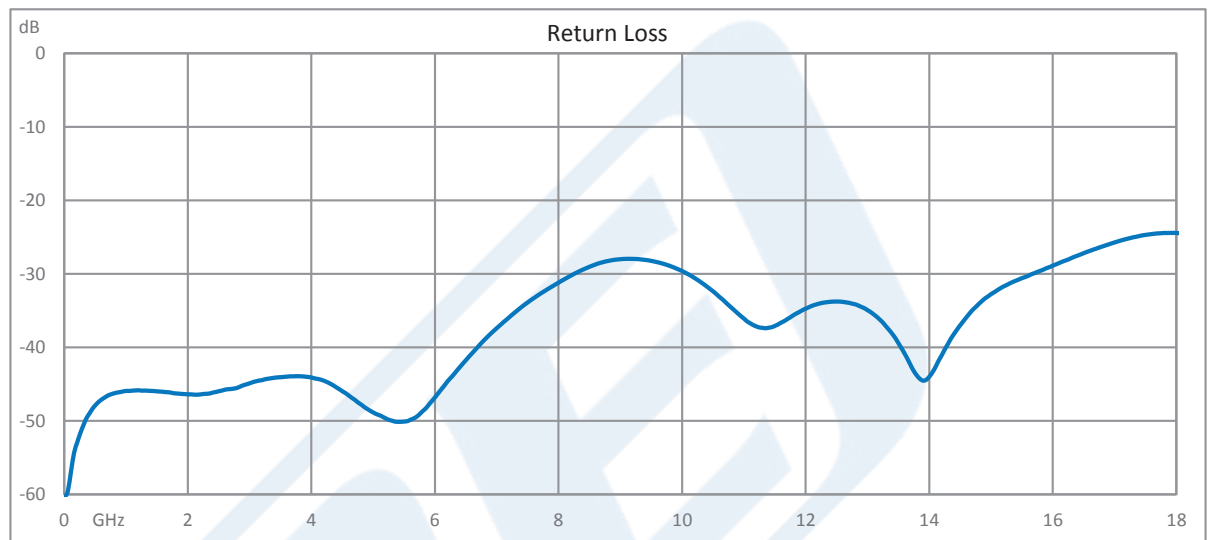


Precision Bulkhead SMA Male to N Female Adapter

RF Adapters Technical Data Sheet

PE9488

Typical Performance Data



Precision Bulkhead SMA Male to N Female Adapter from Pasternack Enterprises has same day shipment for domestic and International orders. Our RF, microwave and millimeter wave products maintain a 99% availability and are part of the broadest selection in the industry.

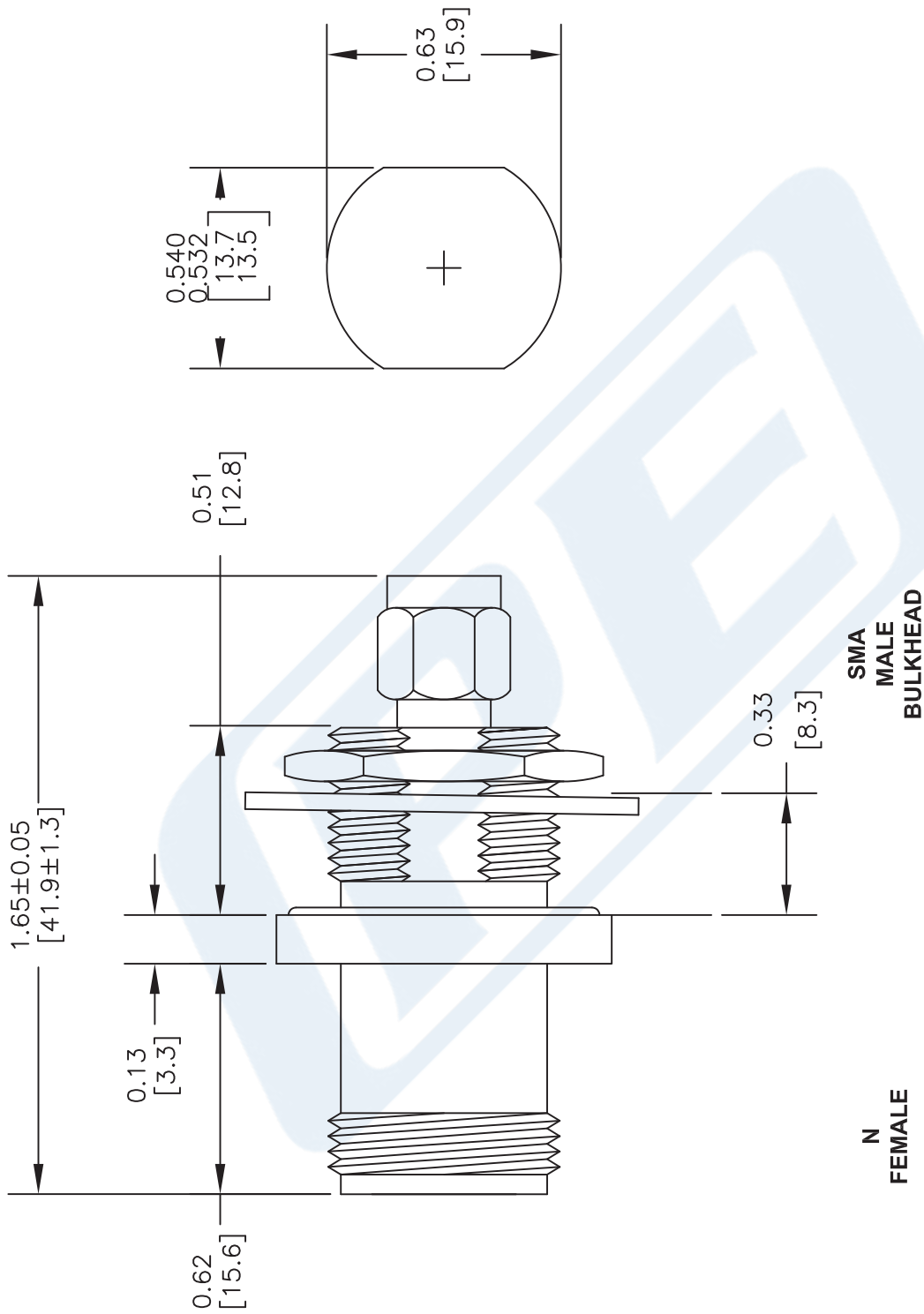
Click the following link (or enter part number in "SEARCH" on website) to obtain additional part information including price, inventory and certifications: [Precision Bulkhead SMA Male to N Female Adapter PE9488](https://www.pasternack.com/sma-male-n-female-straight-adapter-pe9488-p.aspx)

URL: <https://www.pasternack.com/sma-male-n-female-straight-adapter-pe9488-p.aspx>

The information contained in this document is accurate to the best of our knowledge and representative of the part described herein. It may be necessary to make modifications to the part and/or the documentation of the part, in order to implement improvements. Pasternack reserves the right to make such changes as required. Unless otherwise stated, all specifications are nominal. Pasternack does not make any representation or warranty regarding the suitability of the part described herein for any particular purpose, and Pasternack does not assume any liability arising out of the use of any part or documentation.

PE9488 CAD Drawing

Precision Bulkhead SMA Male to N Female Adapter



DWG TITLE

PE9488

NOTES:
 1. UNLESS OTHERWISE SPECIFIED ALL DIMENSIONS ARE NOMINAL.
 2. ALL SPECIFICATIONS ARE SUBJECT TO CHANGE WITHOUT NOTICE AT ANY TIME.
 3. DIMENSIONS ARE IN INCHES [mm].

FSCM NO. 53919

CAD FILE 011916

SCALE N/A

SIZE A

150



Pasternack Enterprises, Inc.
 P.O. Box 16759 | Irvine | CA | 92623
 Phone: (949) 261-1920 | Fax: (949) 261-7451
 Website: www.pasternack.com | E-Mail: sales@pasternack.com