



WR-42 Waveguide Standard Gain Horn Antenna
 Operating From 18 GHz to 26.5 GHz With a Nominal
 15 dBi Gain With UG-597/U Square Cover Flange

Waveguide Antennas Technical Data Sheet

PE9852B-15

Features

- WR-42 Rectangular Waveguide Interface
- 18 GHz to 26.5 GHz
- 15 dBi Nominal Gain
- UG-597/U Cover Flange

Applications

- Antenna Measurements
- Wireless Communication
- Laboratory Use
- Microwave Radio Systems

Description

The PE9852B-15 WR-42 Proline series standard gain horn antenna (also known as waveguide horn) from Pasternack has a nominal gain of 15 dBi. This WR-42 standard gain horn has a UG-597/U type flange. The Pasternack 15 dBi WR-42 horn antenna operates from 18 GHz to 26.5 GHz. The WR-42 PE9852B-15 waveguide horn is US made and TAA compliant. It is part of over 40,000 RF, microwave and millimeter wave components available from Pasternack.

Waveguide standard gain horn antennas are used in a wide variety of applications due to their high power handling capability, low loss, high directivity, and near constant electrical performance. Pasternack's WR-42 standard gain horns are available in 10, 15 and 20 dBi models with pyramidal shape and rectangular input. Our WR-42 standard gain horn Proline antennas can ship worldwide the same day as it is purchased as with our other available RF parts.

Configuration

Design: WR-42 Standard Gain Horn
 Pattern: Directional
 Polarization: Linear

Electrical Specifications

Description	Minimum	Typical	Maximum	Units
Frequency Range	18		26.5	GHz
Impedance		50		Ohms
Nominal Gain		15		dB
VSWR		1.5:1		

Mechanical Specifications

Size
 Length: 2.37 in [60.2 mm]
 Width: 1.14 in [28.96 mm]
 Height: 0.88 in [22.35 mm]

Waveguide Interface

Waveguide Size: WR-42
 Flange Type: Square Cover

Click the following link (or enter part number in "SEARCH" on website) to obtain additional part information including price, inventory and certifications: [WR-42 Waveguide Standard Gain Horn Antenna Operating From 18 GHz to 26.5 GHz With a Nominal 15 dBi Gain With UG-597/U Square Cover Flange PE9852B-15](#)



WR-42 Waveguide Standard Gain Horn Antenna
Operating From 18 GHz to 26.5 GHz With a Nominal
15 dBi Gain With UG-597/U Square Cover Flange

Waveguide Antennas Technical Data Sheet

PE9852B-15

Flange Designation
Body Material and Plating

UG-597/U
Aluminum

Compliance Certifications (see [product page](#) for current document)

Plotted and Other Data

WR-42 Waveguide Standard Gain Horn Antenna Operating From 18 GHz to 26.5 GHz With a Nominal 15 dBi Gain With UG-597/U Square Cover Flange from Pasternack Enterprises has same day shipment for domestic and International orders. Our RF, microwave and millimeter wave products maintain a 99.4% availability and are part of the broadest selection in the industry.

Click the following link (or enter part number in "SEARCH" on website) to obtain additional part information including price, inventory and certifications: [WR-42 Waveguide Standard Gain Horn Antenna Operating From 18 GHz to 26.5 GHz With a Nominal 15 dBi Gain With UG-597/U Square Cover Flange PE9852B-15](#)

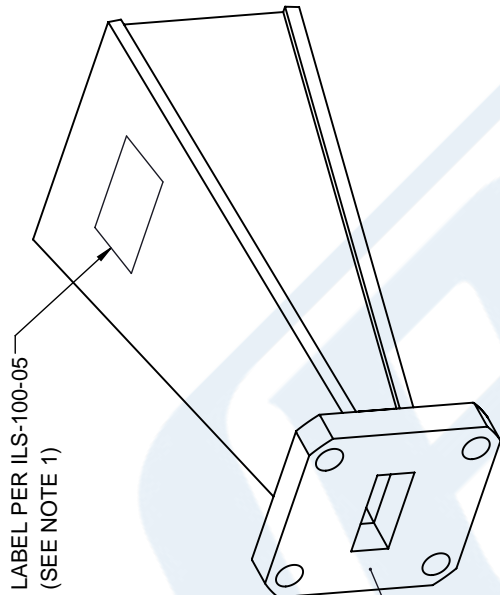
URL: <https://www.pasternack.com/wr-42-waveguide-gain-horn-antenna-15db-ug-597-square-flange-pe9852b-15-p.aspx>

The information contained in this document is accurate to the best of our knowledge and representative of the part described herein. It may be necessary to make modifications to the part and/or the documentation of the part, in order to implement improvements. Pasternack reserves the right to make such changes as required. Unless otherwise stated, all specifications are nominal. Pasternack does not make any representation or warranty regarding the suitability of the part described herein for any particular purpose, and Pasternack does not assume any liability arising out of the use of any part or documentation.

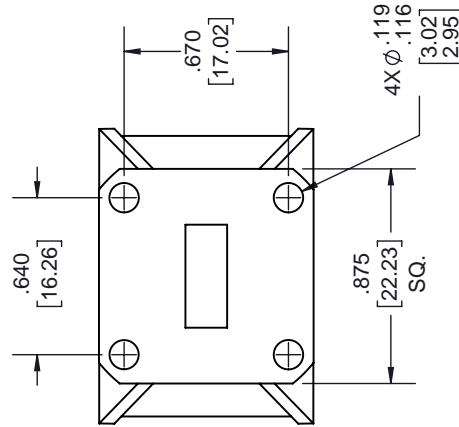
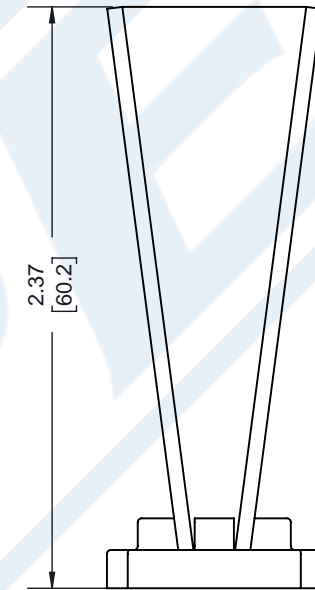
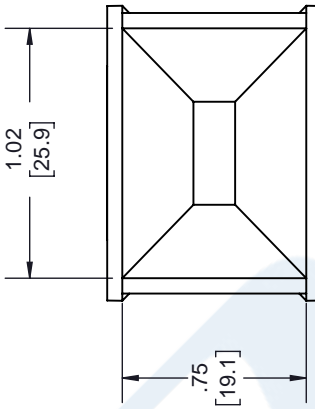
PE9852B-15 CAD Drawing

WR-42 Waveguide Standard Gain Horn Antenna Operating From 18 GHz to 26.5 GHz With a Nominal 15 dBi Gain With UG-597/U Square Cover Flange

REVISIONS			
REV.	DESCRIPTION	DATE	APPROVED
A	INITIAL RELEASE	11/03/2020	KHIETPAS



WR-42
UG-597/U Flange



<p>UNLESS OTHERWISE SPECIFIED LEADING DIMENSIONS ARE INCHES DIMENSIONS IN [] ARE MILLIMETERS</p> <p>TOLERANCES:</p> <p>.X = ±.2 [5.08] FRACTIONS ± 1/32</p> <p>.XX = ±.02 [.51] ANGLES ± 1°</p> <p>.XXX = ±.005 [.13]</p> <p>CABLE LENGTH (L), TOLERANCES:</p> <p>L ≤ 12 [305] = +1 [25] / -0</p> <p>12 [305] < L ≤ 60 [1524] = +2 [51] / -0</p> <p>60 [1524] < L ≤ 120 [3048] = +4 [102] / -0</p> <p>120 [3048] < L ≤ 300 [7620] = +6 [152] / -0</p> <p>300 [7620] < L = +5% / -0</p> <p>ALL DIMENSIONS SHOWN ARE FOR REFERENCE ONLY.</p>	<p>THIRD-ANGLE PROJECTION</p> <p>THE INFORMATION AND DESIGN IN THIS DOCUMENT IS THE PROPERTY OF PASTERNAK CORPORATION ALL RIGHTS RESERVED.</p> <p>SHEET 1 OF 1</p> <p>SCALE N/A</p>
	<p>PE PASTERNAK an INFINITE brand</p> <p>Pasternack Enterprises, Inc. P.O. Box 16759, Irvine, CA 92623. Phone: 1.949.261.1920 1.866.727.8376 Fax: 1.949.261.7451 Website: www.pasternack.com E-mail: sales@pasternack.com</p>
<p>SIZE A</p> <p>CAGE CODE 53919</p> <p>DRAWN BY BPUCHASKI</p>	<p>REV A</p>

NOTES:
1. LABEL PER ILS-100-05 (FOR INTERNAL REFERENCE ONLY)
LABEL LOCATION FOR REFERENCE ONLY

THESE COMMODITIES, TECHNOLOGY OR SOFTWARE WERE EXPORTED FROM THE UNITED STATES IN ACCORDANCE WITH THE EXPORT ADMINISTRATION REGULATIONS. DIVERSION CONTRARY TO U.S. LAW PROHIBITED.