



WR-102 Waveguide Standard Gain Horn Antenna Operating from 7 GHz to 11 GHz with a Nominal 10 dB Gain SMA Female Input

Waveguide Antennas with Waveguide to Coax Adapt-

PE9857/SF-10

**Configuration**

Design	WR-102 Standard Gain Horn
Pattern	Directional
Polarization	Linear
Coaxial Interface	SMA Female

**Electrical Specifications**

Description	Minimum	Typical	Maximum	Units
Frequency Range	7		11	GHz
Impedance		50		Ohms
<b>Waveguide Standard Gain Horn</b>				
Gain		10		dB
Horizontal Half Power Beam Width		54.1		Degrees
Vertical Half Power Beam Width		55.5		Degrees
<b>Waveguide to Coaxial Adapter</b>				
Input VSWR			1.25:1	

**Mechanical Specifications**

<b>Size</b>	
Weight	0.27 lbs [122.47 g]
<b>RF Connector</b>	
Type	SMA Female
<b>Waveguide Interface</b>	
Waveguide Size	WR-102

**Environmental Specifications**

**Compliance Certifications** (see [product page](#) for current document)

**Plotted and Other Data**

2 Dimensional OML Drawing	PE9857/SF-10
Notes:	

Click the following link (or enter part number in "SEARCH" on website) to obtain additional part information including price, inventory and certifications: [WR-102 Waveguide Standard Gain Horn Antenna Operating from 7 GHz to 11 GHz with a Nominal 10 dB Gain SMA Female Input PE9857/SF-10](#)



## WR-102 Waveguide Standard Gain Horn Antenna Operating from 7 GHz to 11 GHz with a Nominal 10 dB Gain SMA Female Input

### Waveguide Antennas with Waveguide to Coax Adapt-

PE9857/SF-10

WR-102 Waveguide Standard Gain Horn Antenna Operating from 7 GHz to 11 GHz with a Nominal 10 dB Gain SMA Female Input from Pasternack Enterprises has same day shipment for domestic and International orders. Our RF, microwave and millimeter wave products maintain a 99.4% availability and are part of the broadest selection in the industry.

Click the following link (or enter part number in "SEARCH" on website) to obtain additional part information including price, inventory and certifications: [WR-102 Waveguide Standard Gain Horn Antenna Operating from 7 GHz to 11 GHz with a Nominal 10 dB Gain SMA Female Input PE9857/SF-10](https://www.pasternack.com/standard-gain-horn-waveguide-size-wr102-10-db-gain-sma-female-pe9857sf-10-p.aspx)

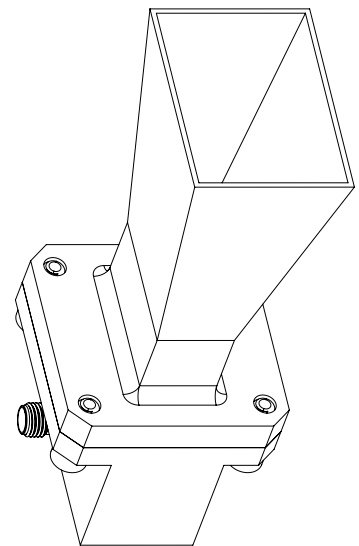
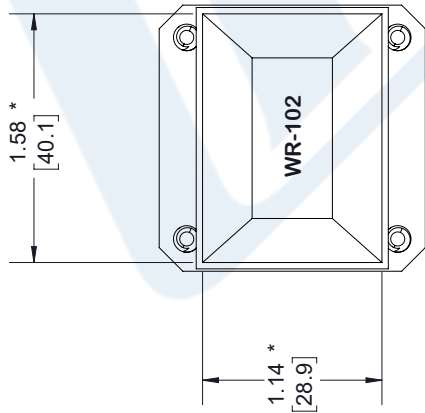
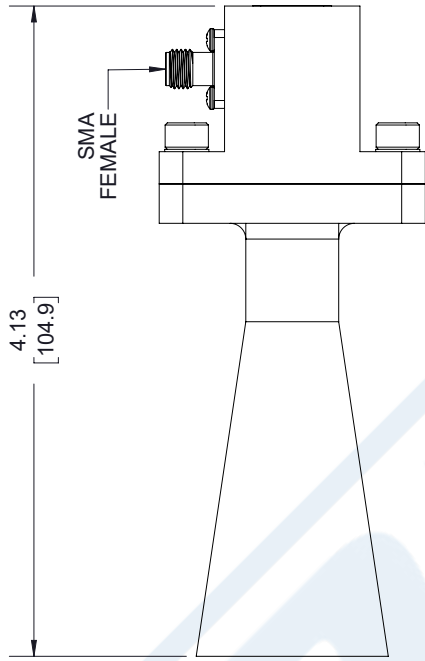
URL: <https://www.pasternack.com/standard-gain-horn-waveguide-size-wr102-10-db-gain-sma-female-pe9857sf-10-p.aspx>

The information contained in this document is accurate to the best of our knowledge and representative of the part described herein. It may be necessary to make modifications to the part and/or the documentation of the part, in order to implement improvements. Pasternack reserves the right to make such changes as required. Unless otherwise stated, all specifications are nominal. Pasternack does not make any representation or warranty regarding the suitability of the part described herein for any particular purpose, and Pasternack does not assume any liability arising out of the use of any part or documentation.

# PE9857/SF-10 CAD Drawing

WR-102 Waveguide Standard Gain Horn Antenna Operating from 7 GHz to 11 GHz with a Nominal 10 dB Gain SMA Female Input

REVISIONS			
REV.	DESCRIPTION	DATE	APPROVED
1.3	PCR PE9857/SF-10 20190827	09/03/19	M.MILLER



\* INSIDE DIMENSION

UNLESS OTHERWISE SPECIFIED LEADING DIMENSIONS ARE INCHES DIMENSIONS IN [ ] ARE MILLIMETERS	
TOLERANCES:	FRACTIONS
X±.2 [5.08]	±.132
.XX±.01 [25]	ANGLES ± 1°
.XXX±.005 [13]	
ALL DIMENSIONS SHOWN ARE FOR REFERENCE ONLY.	
THIRD-ANGLE PROJECTION	

**PE PASTERNAK**  
an INFINITO brand

Pasternack Enterprises, Inc.  
P.O. Box 16759, Irvine, CA 92623.  
Phone: 1.949.261.1920 | 1.866.727.8376  
Fax: 1.949.261.7451  
www.pasternack.com | e-mail: sales@pasternack.com

SIZE [CAGE] DRAWN BY PART NUMBER REV  
A 53919 K.DANG PE9857/SF-10 1.3

THE INFORMATION AND DESIGN IN THIS DOCUMENT IS THE PROPERTY OF PASTERNAK CORPORATION. ALL RIGHTS RESERVED.	
SHEET 1	OF 1
SCALE N/A	

THESE COMMODITIES, TECHNOLOGY OR SOFTWARE WERE EXPORTED FROM THE UNITED STATES IN ACCORDANCE WITH THE EXPORT ADMINISTRATION REGULATIONS. DIVERSION CONTRARY TO U.S. LAW PROHIBITED.