



## BNC Male Connector Crimp/Solder Attachment for PE-C400, LMR-400

### RF Connectors Technical Data Sheet

PE44294

#### Configuration

- BNC Male Connector
- MIL-STD-348
- 50 Ohms
- Straight Body Geometry
- PE-C400, LMR-400 Interface Type
- Crimp/Solder Attachment

#### Features

- Silver Plated Contact
- Contact plating according to QQ-S-365

#### Applications

- General Purpose Test
- Custom Cable Assemblies

#### Description

Pasternack's PE44294 BNC male connector with crimp/solder attachment for PE-C400 and LMR-400 is part of our full line of RF components available for same-day shipping.

Our BNC male connector PE44294 datasheet specifications and drawing with dimensions are shown below in this PDF. Pasternack's broad catalog of RF, microwave and millimeter wave connectors allows designers to configure and customize their signal connections however they like. Whether the need is to provide an I/O for a board design, or simply create a custom cable assembly configuration, Pasternack has the right connector for the job. Pasternack can also expertly build your custom cable assemblies for you and ship same-day.

#### Mechanical Specifications

##### Size

Length	1.79 in [45.47 mm]
Width/Dia.	0.57 in [14.48 mm]
Weight	0.058 lbs [26.31 g]

##### Material Specifications

Description	Material	Plating
Contact		Silver QQ-S-365
Insulation	PTFE	
Body	Brass	Nickel QQ-N-290
Coupling Nut	Brass	Nickel QQ-N-290

Click the following link (or enter part number in "SEARCH" on website) to obtain additional part information including price, inventory and certifications: [BNC Male Connector Crimp/Solder Attachment for PE-C400, LMR-400 PE44294](#)



BNC Male Connector Crimp/Solder  
Attachment for PE-C400, LMR-400

RF Connectors Technical Data Sheet

PE44294

**Environmental Specifications**

**Compliance Certifications** (see [product page](#) for current document)

**Plotted and Other Data**

Notes:

**Assembly Instruction**

BNC Male Connector Crimp/Solder Attachment for PE-C400, LMR-400 from Pasternack Enterprises has same day shipment for domestic and International orders. Our RF, microwave and millimeter wave products maintain a 99.4% availability and are part of the broadest selection in the industry.

Click the following link (or enter part number in "SEARCH" on website) to obtain additional part information including price, inventory and certifications: [BNC Male Connector Crimp/Solder Attachment for PE-C400, LMR-400 PE44294](#)

URL: <https://www.pasternack.com/bnc-male-standard-pe-b400-pe-b405-pe-c400-connector-pe44294-p.aspx>

The information contained in this document is accurate to the best of our knowledge and representative of the part described herein. It may be necessary to make modifications to the part and/or the documentation of the part, in order to implement improvements. Pasternack reserves the right to make such changes as required. Unless otherwise stated, all specifications are nominal. Pasternack does not make any representation or warranty regarding the suitability of the part described herein for any particular purpose, and Pasternack does not assume any liability arising out of the use of any part or documentation.

# PE44294 CAD Drawing

BNC Male Connector Crimp/Solder Attachment for PE-C400, LMR-400



STRIPPING DIMENSIONS

### CRIMP SIZE REQUIRED

CONTACT: SOLDER  
 FERRULE: .429" HEX CRIMP TOOL

NOTES:  
 1. UNLESS OTHERWISE SPECIFIED ALL DIMENSIONS ARE NOMINAL.  
 2. ALL SPECIFICATIONS ARE SUBJECT TO CHANGE WITHOUT NOTICE AT ANY TIME.  
 3. DIMENSIONS ARE IN INCHES [mm].  
 4. FITS MIL-C-17 AND EQUIVALENT CABLES.

DWG TITLE  
**PE44294**

REV. A	FSCM NO. 53919	CAD FILE 100511	SCALE N/A	SIZE A	2231
--------	----------------	-----------------	-----------	--------	------

**PE PASTERNAK®**  
 Pasternack Enterprises, Inc.  
 P.O. Box 16759 | Irvine | CA | 92623  
 Phone: (949) 261-1920 | Fax: (949) 261-7451  
 Website: www.pasternack.com | E-Mail: sales@pasternack.com



## BNC Male Connector Crimp/Solder Attachment for PE-C400, LMR-400

### RF Connectors Technical Data Sheet

PE44294

#### Configuration

- BNC Male Connector
- MIL-STD-348
- 50 Ohms
- Straight Body Geometry
- PE-C400, LMR-400 Interface Type
- Crimp/Solder Attachment

#### Features

- Silver Plated Contact
- Contact plating according to QQ-S-365

#### Applications

- General Purpose Test
- Custom Cable Assemblies

#### Description

Pasternack's PE44294 BNC male connector with crimp/solder attachment for PE-C400 and LMR-400 is part of our full line of RF components available for same-day shipping.

Our BNC male connector PE44294 datasheet specifications and drawing with dimensions are shown below in this PDF. Pasternack's broad catalog of RF, microwave and millimeter wave connectors allows designers to configure and customize their signal connections however they like. Whether the need is to provide an I/O for a board design, or simply create a custom cable assembly configuration, Pasternack has the right connector for the job. Pasternack can also expertly build your custom cable assemblies for you and ship same-day.

#### Mechanical Specifications

##### Size

Length	1.79 in [45.47 mm]
Width/Dia.	0.57 in [14.48 mm]
Weight	0.058 lbs [26.31 g]

##### Material Specifications

Description	Material	Plating
Contact		Silver QQ-S-365
Insulation	PTFE	
Body	Brass	Nickel QQ-N-290
Coupling Nut	Brass	Nickel QQ-N-290

Click the following link (or enter part number in "SEARCH" on website) to obtain additional part information including price, inventory and certifications: [BNC Male Connector Crimp/Solder Attachment for PE-C400, LMR-400 PE44294](#)



BNC Male Connector Crimp/Solder  
Attachment for PE-C400, LMR-400

RF Connectors Technical Data Sheet

PE44294

**Environmental Specifications**

**Compliance Certifications** (see [product page](#) for current document)

**Plotted and Other Data**

Notes:

**Assembly Instruction**

BNC Male Connector Crimp/Solder Attachment for PE-C400, LMR-400 from Pasternack Enterprises has same day shipment for domestic and International orders. Our RF, microwave and millimeter wave products maintain a 99.4% availability and are part of the broadest selection in the industry.

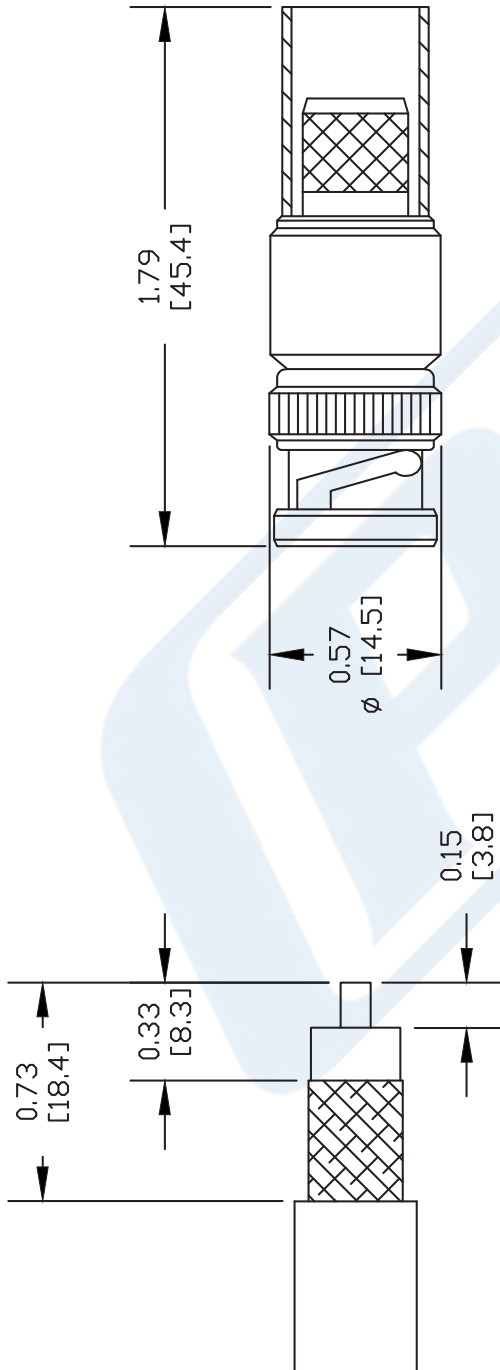
Click the following link (or enter part number in "SEARCH" on website) to obtain additional part information including price, inventory and certifications: [BNC Male Connector Crimp/Solder Attachment for PE-C400, LMR-400 PE44294](#)

URL: <https://www.pasternack.com/bnc-male-standard-pe-b400-pe-b405-pe-c400-connector-pe44294-p.aspx>

The information contained in this document is accurate to the best of our knowledge and representative of the part described herein. It may be necessary to make modifications to the part and/or the documentation of the part, in order to implement improvements. Pasternack reserves the right to make such changes as required. Unless otherwise stated, all specifications are nominal. Pasternack does not make any representation or warranty regarding the suitability of the part described herein for any particular purpose, and Pasternack does not assume any liability arising out of the use of any part or documentation.

# PE44294 CAD Drawing

BNC Male Connector Crimp/Solder Attachment for PE-C400, LMR-400



STRIPPING DIMENSIONS

CRIMP SIZE REQUIRED

CONTACT: SOLDER  
 FERRULE: .429" HEX CRIMP TOOL

NOTES:  
 1. UNLESS OTHERWISE SPECIFIED ALL DIMENSIONS ARE NOMINAL.  
 2. ALL SPECIFICATIONS ARE SUBJECT TO CHANGE WITHOUT NOTICE AT ANY TIME.  
 3. DIMENSIONS ARE IN INCHES [mm].  
 4. FITS MIL-C-17 AND EQUIVALENT CABLES.

DWG TITLE  
**PE44294**

REV. A	FSCM NO. 53919	CAD FILE 100511	SCALE N/A	SIZE A	2231
--------	----------------	-----------------	-----------	--------	------

**PE PASTERNAK®**  
 Pasternack Enterprises, Inc.  
 P.O. Box 16759 | Irvine | CA | 92623  
 Phone: (949) 261-1920 | Fax: (949) 261-7451  
 Website: www.pasternack.com | E-Mail: sales@pasternack.com



## Flexible RG8 Type with Wound Filament Dielectric Coax Cable Double Shielded with Black PVC Jacket

### TECHNICAL DATA SHEET

PE-B405

Flexible RG8 Type with Wound Filament Dielectric Coax Cable Double Shielded with Black PVC Jacket

#### Configuration

Inner Conductor Material and Plating	Copper
Dielectric Type	PE (AS)
Shield Materials	Aluminum Tape, Tinned Copper Braid
Jacket Material and Color	PVC, Black

#### Electrical Specifications

Impedance, Ohms	50
Velocity of Propagation, %	83
Maximum Operating Frequency, MHz	1000
Capacitance, pF/ft [pF/m]	24.6 [80.71]

#### Electrical Specifications by Frequency

##### Frequency 1

Frequency, MHz	1
Attenuation, dB/100ft [dB/100m]	0.4 [1.31]

##### Frequency 2

Frequency, MHz	10
Attenuation, dB/100ft [dB/100m]	0.6 [1.97]

##### Frequency 3

Frequency, MHz	50
Attenuation, dB/100ft [dB/100m]	1.3 [4.27]

##### Frequency 4

Frequency, MHz	400
Attenuation, dB/100ft [dB/100m]	3.5 [11.48]

##### Frequency 5

Frequency, MHz	700
Attenuation, dB/100ft [dB/100m]	4.6 [15.09]

##### Frequency 6

Frequency, MHz	900
Attenuation, dB/100ft [dB/100m]	5.1 [16.73]

##### Frequency 7

Frequency, MHz	1000
Attenuation, dB/100ft [dB/100m]	5.4 [17.72]

Click the following link (or enter part number in "SEARCH" on website) to obtain additional part information including price, inventory and certifications: [Flexible RG8 Type with Wound Filament Dielectric Coax Cable Double Shielded with Black PVC Jacket PE-B405](#)

The information contained in this document is accurate to the best of our knowledge and representative of the part described herein. It may be necessary to make modifications to the part and/or the documentation of the part, in order to implement improvements. Pasternack reserves the right to make such changes as required. Unless otherwise stated, all specifications are nominal.



Flexible RG8 Type with Wound Filament Dielectric Coax  
Cable Double Shielded with Black PVC Jacket

TECHNICAL DATA SHEET

PE-B405

**Mechanical Specifications**

**Inner Conductor**

Material Copper  
Diameter, in [mm] 0.108 [2.74]

**Dielectric:**

Type PE (AS)  
Diameter, in [mm] 0.286 [7.26]

**Shield:**

Number of 2  
Material 1 Aluminum Tape  
Material 2 Tinned Copper Braid

**Jacket:**

Material PVC  
Diameter, in [mm] 0.4 [10.16]  
Color Black  
Weight, lbs/ft [Kg/m] 0.115 [0.17]

**Compliance Certifications** (visit [www.Pasternack.com](http://www.Pasternack.com) for current document)

**Plotted and Other Data**

Notes: Values at 25 °C, sea level

Flexible RG8 Type with Wound Filament Dielectric Coax Cable Double Shielded with Black PVC Jacket from Pasternack Enterprises has same day shipment for domestic and International orders. Our RF, microwave and fiber optic products maintain a 99% availability and are part of the broadest selection in the industry.

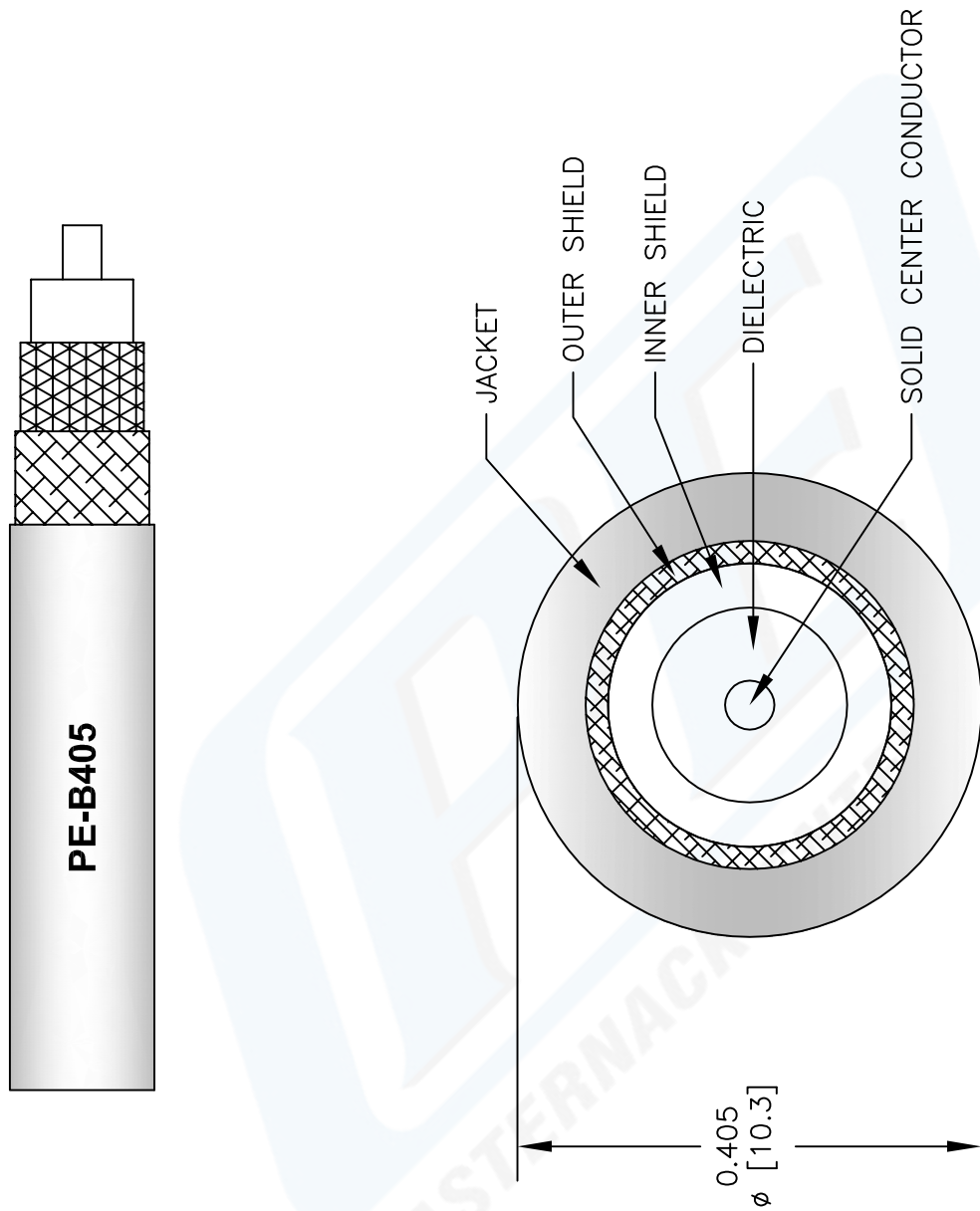
Click the following link (or enter part number in "SEARCH" on website) to obtain additional part information including price, inventory and certifications: [Flexible RG8 Type with Wound Filament Dielectric Coax Cable Double Shielded with Black PVC Jacket PE-B405](#)

URL: <http://www.pasternack.com/flexible-0.405-rg8-type-50-ohm-coax-cable-pvc-jacket-pe-b405-p.aspx>

The information contained in this document is accurate to the best of our knowledge and representative of the part described herein. It may be necessary to make modifications to the part and/or the documentation of the part, in order to implement improvements. Pasternack reserves the right to make such changes as required. Unless otherwise stated, all specifications are nominal.

# PE-B405 CAD Drawing

Flexible RG8 Type with Wound Filament Dielectric Coax  
Cable Double Shielded with Black PVC Jacket



NOTES:  
 1. UNLESS OTHERWISE SPECIFIED ALL DIMENSIONS ARE NOMINAL.  
 2. ALL SPECIFICATIONS ARE SUBJECT TO CHANGE WITHOUT NOTICE AT ANY TIME.  
 3. DIMENSIONS ARE IN INCHES [mm].

DWG TITLE  
**PE-B405**

FSCM NO. 53919

CAD FILE 022808

SCALE N/A

SIZE A

127

**PE PASTERNAK®**  
 Pasternack Enterprises, Inc.  
 P.O. Box 16759 | Irvine | CA | 92623  
 Phone: (949) 261-1920 | Fax: (949) 261-7451  
 Website: www.pasternack.com | E-Mail: sales@pasternack.com