



N Female Bulkhead Connector Clamp/Solder Attachment For PE-SR401AL, PE-SR401FL, RG401, .640 inch DD Hole

TECHNICAL DATA SHEET

PE4942

**N Female Bulkhead Connector Clamp/Solder Attachment For PE-SR401AL, PE-SR401FL, RG401, .640 inch DD Hole**

**Configuration**

Connector	N Female
Connector Interface Type	PE-SR401AL,PE-SR401FL,RG401
Cable Attachment Method (Shield/Contact)	Clamp/Solder
Body Style	Straight
Mount Method	Bulkhead

**Electrical Specifications**

Frequency Range, GHz	DC to 11
Impedance, Ohms	50
Maximum Operating Voltage, Volts	1,000
Dielectric Withstanding Voltage, Vrms	2,500

**Mechanical Specifications**

**Temperature**

Operating Range, deg C	-65 to +165
------------------------	-------------

**Size**

Length, in [mm]	1.775 [45.09]
Width/Dia., in [mm]	0.825 [20.96]
Weight, lbs [g]	0.137 [62.14]

**Connector**

Type	N Female
Contact Material and Plating	Brass, Gold
Contact Plating Specification	30µ in. minimum
Body Material and Plating	Brass, Nickel
Body Plating Specification	100µ in. minimum
Dielectric Type	Teflon

**Compliance Certifications** (visit [www.Pasternack.com](http://www.Pasternack.com) for current document)

RoHS Compliant	Yes
----------------	-----

Click the following link (or enter part number in "SEARCH" on website) to obtain additional part information including price, inventory and certifications: [N Female Bulkhead Connector Clamp/Solder Attachment For PE-SR401AL, PE-SR401FL, RG401, .640 inch DD Hole PE4942](#)

The information contained in this document is accurate to the best of our knowledge and representative of the part described herein. It may be necessary to make modifications to the part and/or the documentation of the part, in order to implement improvements. Pasternack reserves the right to make such changes as required. Unless otherwise stated, all specifications are nominal.



N Female Bulkhead Connector Clamp/Solder Attachment For  
PE-SR401AL, PE-SR401FL, RG401, .640 inch DD Hole

TECHNICAL DATA SHEET

PE4942

**Plotted and Other Data**

Notes:

Values at 25 °C, sea level

N Female Bulkhead Connector Clamp/Solder Attachment For PE-SR401AL, PE-SR401FL, RG401, .640 inch DD Hole from Pasternack Enterprises has same day shipment for domestic and International orders. Our RF, microwave and fiber optic products maintain a 99% availability and are part of the broadest selection in the industry.

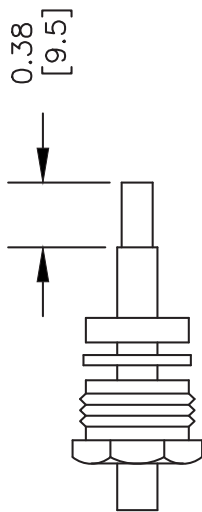
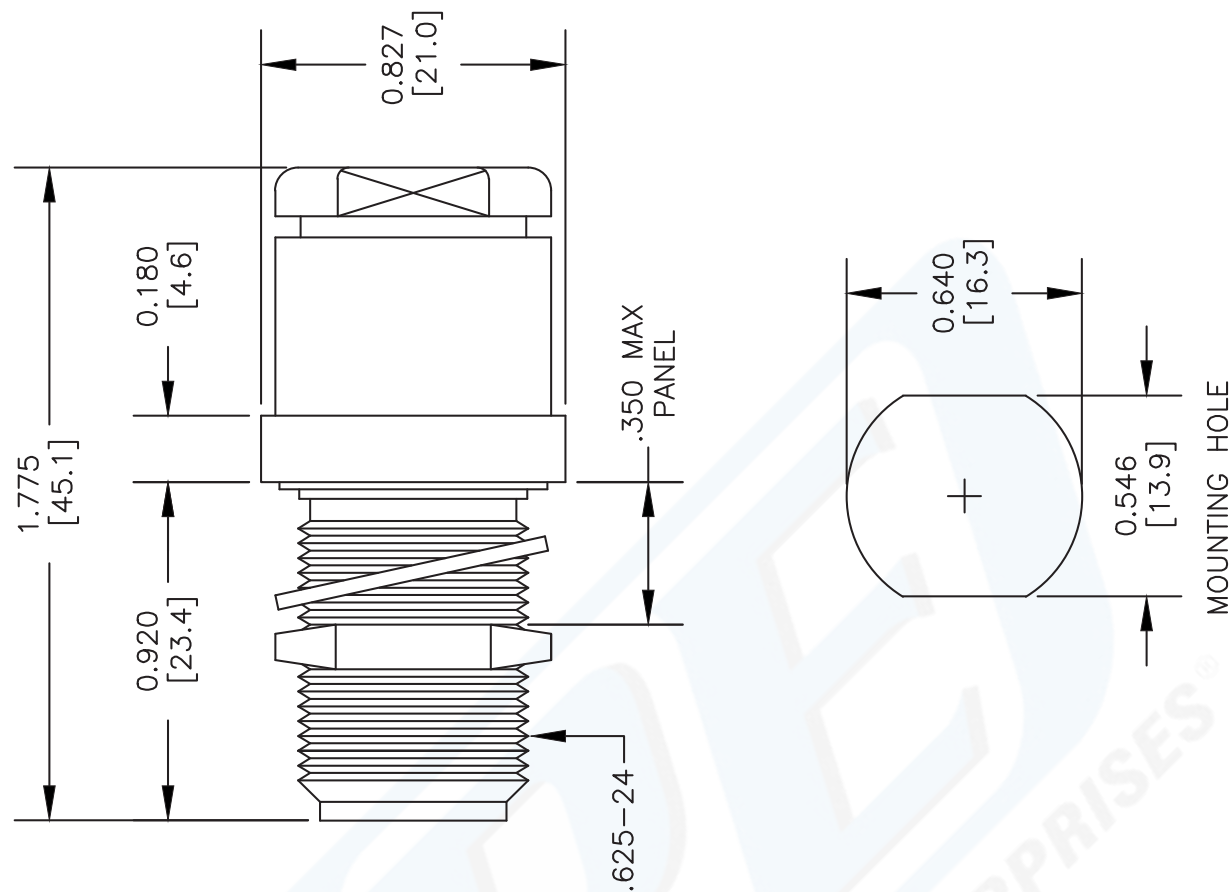
Click the following link (or enter part number in "SEARCH" on website) to obtain additional part information including price, inventory and certifications: [N Female Bulkhead Connector Clamp/Solder Attachment For PE-SR401AL, PE-SR401FL, RG401, .640 inch DD Hole PE4942](http://www.pasternack.com/n-female-standard-pe-sr401al-pe-sr401fl-rg401-connector-pe4942-p.aspx)

URL: <http://www.pasternack.com/n-female-standard-pe-sr401al-pe-sr401fl-rg401-connector-pe4942-p.aspx>

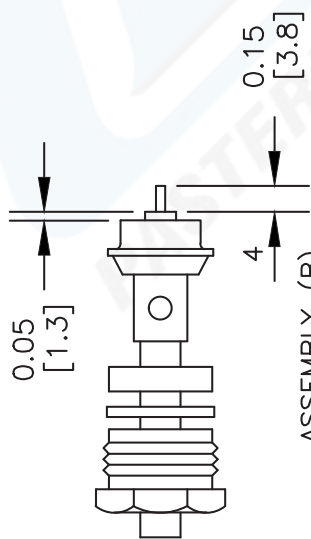
The information contained in this document is accurate to the best of our knowledge and representative of the part described herein. It may be necessary to make modifications to the part and/or the documentation of the part, in order to implement improvements. Pasternack reserves the right to make such changes as required. Unless otherwise stated, all specifications are nominal.

# PE4942 CAD Drawing

N Female Bulkhead Connector Clamp/Solder Attachment For  
PE-SR401AL, PE-SR401FL, RG401, .640 inch DD Hole



1 2 3  
ASSEMBLY (A)



4  
ASSEMBLY (B)

### STRIPPING DIMENSIONS

### ASSEMBLY PROCEDURES

1. SLIDE CLAMP NUT (1), WASHER (2) & GASKET OVER CABLE. STRIP CABLE AS SHOWN IN ASSEMBLY (A). DO NOT CUT DIELECTRIC.
2. SLIDE ADAPTER (4) OVER CABLE UNTIL ADAPTER (4) BOTTOMS ON OUTER CONDUCTOR. SOLDER ADAPTER (4) TO OUTER CONDUCTOR USING MINIMUM HEAT.
3. STRIP CABLE AS SHOWN IN ASSEMBLY (B). SOLDER CONTACT TO CENTER CONDUCTOR. SLIDE ASSEMBLY FORWARD & TIGHTEN TO BODY.

DWG TITLE

**PE4942**

- NOTES:
1. UNLESS OTHERWISE SPECIFIED ALL DIMENSIONS ARE NOMINAL.
  2. ALL SPECIFICATIONS ARE SUBJECT TO CHANGE WITHOUT NOTICE AT ANY TIME.
  3. DIMENSIONS ARE IN INCHES [mm].
  4. FITS MIL-C-17 AND EQUIVALENT CABLES.

FSCM NO. 53919

CAD FILE 061402

SCALE N/A

SIZE A

XXXX



**PASTERNAK**  
Pasternack Enterprises, Inc.  
P.O. Box 16759 | Irvine | CA | 92623  
Phone: (949) 261-1920 | Fax: (949) 261-7451  
Website: www.pasternack.com | E-Mail: sales@pasternack.com



N Male Right Angle Connector Clamp/Solder Attachment  
for PE-SR401AL, PE-SR401FL, RG401

TECHNICAL DATA SHEET

PE4935

**Configuration**

Connector	N Male
Connector Specification	MIL-STD-348A
Connector Interface Type	PE-SR401AL, PE-SR401FL, RG401
Attachment Method (Shield/Contact)	Clamp/Solder
Body Style	Right Angle

**Electrical Specifications**

Impedance	50 Ohms
-----------	---------

**Mechanical Specifications**

**Size**

Length	1.96 in [49.78 mm]
Width/Dia.	0.75 in [19.05 mm]
Height	1.29 in [32.77 mm]
Weight	0.22 lbs [99.79 g]

**Connector**

Type	N Male
Contact Material and Plating	Brass, Gold
Contact Plating Specification	30 $\mu$ in. minimum
Coupling Nut Material and Plating	Brass, Nickel
Coupling Nut Plating Specification	100 $\mu$ in. minimum
Body Material and Plating	Brass, Nickel
Body Plating Specification	100 $\mu$ in. minimum
Dielectric Type	Teflon

**Compliance Certifications** (visit [www.Pasternack.com](http://www.Pasternack.com) for current document)

RoHS Compliant

Click the following link (or enter part number in "SEARCH" on website) to obtain additional part information including price, inventory and certifications: [N Male Right Angle Connector Clamp/Solder Attachment for PE-SR401AL, PE-SR401FL, RG401 PE4935](#)



## N Male Right Angle Connector Clamp/Solder Attachment for PE-SR401AL, PE-SR401FL, RG401

### TECHNICAL DATA SHEET

PE4935

#### Plotted and Other Data

Notes:

- Values at +25 °C, sea level

N Male Right Angle Connector Clamp/Solder Attachment for PE-SR401AL, PE-SR401FL, RG401 from Pasternack Enterprises has same day shipment for domestic and International orders. Our RF, microwave and millimeter wave products maintain a 99% availability and are part of the broadest selection in the industry.

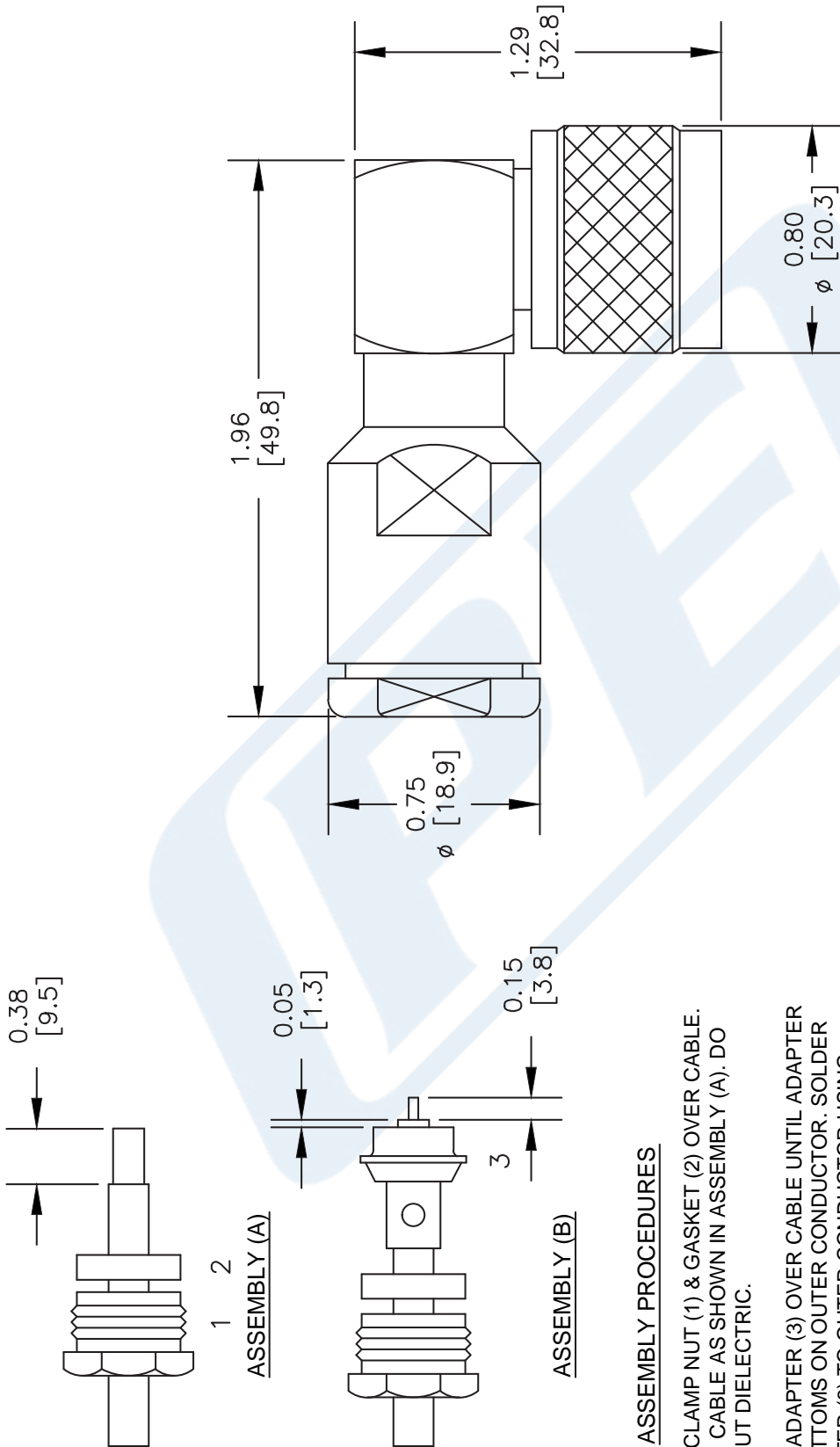
Click the following link (or enter part number in "SEARCH" on website) to obtain additional part information including price, inventory and certifications: [N Male Right Angle Connector Clamp/Solder Attachment for PE-SR401AL, PE-SR401FL, RG401 PE4935](http://www.pasternack.com/n-male-standard-pe-sr401al-pe-sr401fl-rg401-connector-pe4935-p.aspx)

URL: <http://www.pasternack.com/n-male-standard-pe-sr401al-pe-sr401fl-rg401-connector-pe4935-p.aspx>

The information contained in this document is accurate to the best of our knowledge and representative of the part described herein. It may be necessary to make modifications to the part and/or the documentation of the part, in order to implement improvements. Pasternack reserves the right to make such changes as required. Unless otherwise stated, all specifications are nominal. Pasternack does not make any representation or warranty regarding the suitability of the part described herein for any particular purpose, and Pasternack does not assume any liability arising out of the use of any part or documentation.

# PE4935 CAD Drawing

N Male Right Angle Connector Clamp/Solder Attachment  
for PE-SR401AL, PE-SR401FL, RG401



## ASSEMBLY PROCEDURES

1. SLIDE CLAMP NUT (1) & GASKET (2) OVER CABLE. STRIP CABLE AS SHOWN IN ASSEMBLY (A). DO NOT CUT DIELECTRIC.
2. SLIDE ADAPTER (3) OVER CABLE UNTIL ADAPTER (3) BOTTOMS ON OUTER CONDUCTOR. SOLDER ADAPTER (3) TO OUTER CONDUCTOR USING MINIMUM HEAT.
3. STRIP CABLE AS SHOWN IN ASSEMBLY (B). SOLDER CONTACT TO CENTER CONDUCTOR. SLIDE ASSEMBLY FORWARD & TIGHTEN TO BODY.

DWG TITLE

**PE4935**

- NOTES:
1. UNLESS OTHERWISE SPECIFIED ALL DIMENSIONS ARE NOMINAL.
  2. ALL SPECIFICATIONS ARE SUBJECT TO CHANGE WITHOUT NOTICE AT ANY TIME.
  3. DIMENSIONS ARE IN INCHES [mm].
  4. FITS MIL-C-17 AND EQUIVALENT CABLES.

FSCM NO. 53919

CAD FILE 061802

SCALE N/A

SIZE A

XXXX



**PASTERNAK®**  
Pasternack Enterprises, Inc.  
P.O. Box 16759 | Irvine | CA | 92623  
Phone: (949) 261-1920 | Fax: (949) 261-7451  
Website: www.pasternack.com | E-Mail: sales@pasternack.com



## RG401 Coax Cable with Copper

### TECHNICAL DATA SHEET

RG401/U

#### RG401 Coax Cable with Copper

##### Configuration

Inner Conductor Material and Plating	Copper, Silver
Dielectric Type	PTFE
Shield Materials	Copper
Jacket Material and Color	Tan

##### Electrical Specifications

Impedance, Ohms	50
Velocity of Propagation, %	69.5
Maximum Operating Frequency, GHz	20
Capacitance, pF/ft [pF/m]	29.6 [97.11]
Maximum Operating Voltage, Volts	3,000
Dielectric Withstanding Voltage, Vrms	7,500

##### Electrical Specifications by Frequency

###### Frequency 1

Frequency, MHz	1000
Attenuation, dB/100ft [dB/100m]	7.5 [24.61]
Power Handling, KWatts	1,400

###### Frequency 2

Frequency, GHz	10
Attenuation, dB/100ft [dB/100m]	33 [108.27]
Power Handling, Watts	350

###### Frequency 3

Frequency, GHz	20
Attenuation, dB/100ft [dB/100m]	48 [157.48]
Power Handling, Watts	200

##### Mechanical Specifications

###### Temperature

Operating Range, deg C	-55 to +125
------------------------	-------------

###### Inner Conductor

Number of Strands	1
Material	Copper
Plating	Silver
Diameter, in [mm]	0.064 [1.63]

Click the following link (or enter part number in "SEARCH" on website) to obtain additional part information including price, inventory and certifications: [RG401 Coax Cable with Copper RG401/U](#)

The information contained in this document is accurate to the best of our knowledge and representative of the part described herein. It may be necessary to make modifications to the part and/or the documentation of the part, in order to implement improvements. Pasternack reserves the right to make such changes as required. Unless otherwise stated, all specifications are nominal.



## RG401 Coax Cable with Copper

### TECHNICAL DATA SHEET

RG401/U

**Dielectric:**

Type	PTFE
Diameter, in [mm]	0.209 [5.31]

**Shield:**

Number of	1
Material 1	Copper
Diameter, in [mm]	0.25 [6.35]

**Jacket:**

Color	Tan
One Time Minimum Bend Radius, in [mm]	0.25 [6.35]
Weight, lbs/ft [Kg/m]	0.105 [0.16]

**Compliance Certifications** (visit [www.Pasternack.com](http://www.Pasternack.com) for current document)

RoHS Compliant	Yes
----------------	-----

**Plotted and Other Data**

Notes:	Values at 25 °C, sea level
--------	----------------------------

RG401 Coax Cable with Copper from Pasternack Enterprises has same day shipment for domestic and International orders. Our RF, microwave and fiber optic products maintain a 99% availability and are part of the broadest selection in the industry.

Click the following link (or enter part number in "SEARCH" on website) to obtain additional part information including price, inventory and certifications: [RG401 Coax Cable with Copper RG401/U](#)

URL: <http://www.pasternack.com/semirigid-0.250-rg401-50-ohm-coax-cable-copper-rg401-u-p.aspx>

The information contained in this document is accurate to the best of our knowledge and representative of the part described herein. It may be necessary to make modifications to the part and/or the documentation of the part, in order to implement improvements. Pasternack reserves the right to make such changes as required. Unless otherwise stated, all specifications are nominal.

**PASTERNAK ENTERPRISES RG401/U**

IMPEDANCE: 50 OHMS  
 INNER CONDUCTOR DIAMETER: .0641"  
 INNER CONDUCTOR MATERIAL: SILVER COVERED COPPER  
 DIELECTRIC DIAMETER: .209"  
 DIELECTRIC MATERIAL: SOLID POLYTETRAFLUOROETHYLENE  
 OUTER DIAMETER: .250"  
 OUTER SHIELD: BARE COPPER TUBE  
 OPERATING TEMPERATURE: - 55° TO + 150° C  
 MAX OPERATING VOLTAGE (VOLTS RMS): 3,000

NOMINAL ATTENUATION ( PER 100 FEET )

1 GHz	7.5 dB
10 GHz	33.0 dB
20 GHz	48.00 dB

MAXIMUM POWER HANDLING ( AVERAGE POWER IN WATTS )

1 GHz	1,400
10 GHz	350
20 GHz	200



**PASTERNAK ENTERPRISES, INC.**  
 P.O. BOX 16759, IRVINE, CA 92623  
 PHONE (949) 261-1920 FAX (949) 261-7451  
 WEB ADDRESS: [www.pasternack.com](http://www.pasternack.com)  
 E-MAIL ADDRESS: [sales@pasternack.com](mailto:sales@pasternack.com)  
**COAXIAL & FIBER OPTICS**

DWG TITLE

**RG401/U**

NOTES:  
 1. UNLESS OTHERWISE SPECIFIED ALL DIMENSIONS ARE NOMINAL.  
 2. ALL SPECIFICATIONS ARE SUBJECT TO CHANGE WITHOUT NOTICE AT ANY TIME.  
 3. DIMENSIONS ARE IN INCHES [mm].

REV. B

FSCM NO. 53919

CAD FILE 070512

SCALE N/A

SIZE A

2233