



N Male Connector Crimp/Solder Attachment For PE-C400, 0.400 inch, PE-B400, PE-B405, LMR-400

TECHNICAL DATA SHEET **PE44522**

N Male Connector Crimp/Solder Attachment For PE-C400, 0.400 inch, PE-B400, PE-B405, LMR-400

Configuration

Connector	N Male
Connector Specification	MIL-C-39012
Connector Interface Type	PE-C400,0.400 inch,PE-B400,PE-B405,LMR-400
Cable Attachment Method (Shield/Contact)	Crimp/Solder
Body Style	Straight

Electrical Specifications

Impedance, Ohms	50
-----------------	----

Mechanical Specifications

Size

Length, in [mm]	1.48 [37.59]
Width/Dia., in [mm]	0.83 [21]
Weight, lbs [g]	0.08 [36.29]

Connector

Type	N Male
Contact Material and Plating	Brass, Gold
Contact Plating Specification	15µ in. minimum
Coupling Nut Material and Plating	Brass, Tri-Metal
Hex Size, mm	18
Torque, in-lbs [Nm]	9 [1.02]
Body Material and Plating	Brass, Tri-Metal
Dielectric Type	Teflon

Compliance Certifications (visit www.Pasternack.com for current document)

RoHS Compliant	Yes
----------------	-----

Plotted and Other Data

Notes: Values at 25 °C, sea level

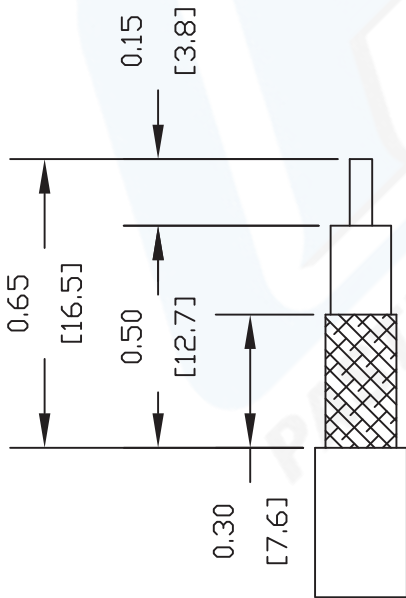
URL: <http://www.pasternack.com/n-male-standard-pe-c400-0.400-pe-b400-pe-b405-lmr-400-connector-pe44522-p.aspx>

N Male Connector Crimp/Solder Attachment For PE-C400, 0.400 inch, PE-B400, PE-B405, LMR-400 from Pasternack Enterprises has same day shipment for domestic and International orders. We maintain 99% availability of the industry's broadest selection of RF, microwave and fiber optic products.

The information contained in this document is accurate to the best of our knowledge and representative of the part described herein. It may be necessary to make modifications to the part and/or the documentation of the part, in order to implement improvements. Pasternack reserves the right to make such changes as required. Unless otherwise stated, all specifications are nominal.

PE44522 CAD Drawing

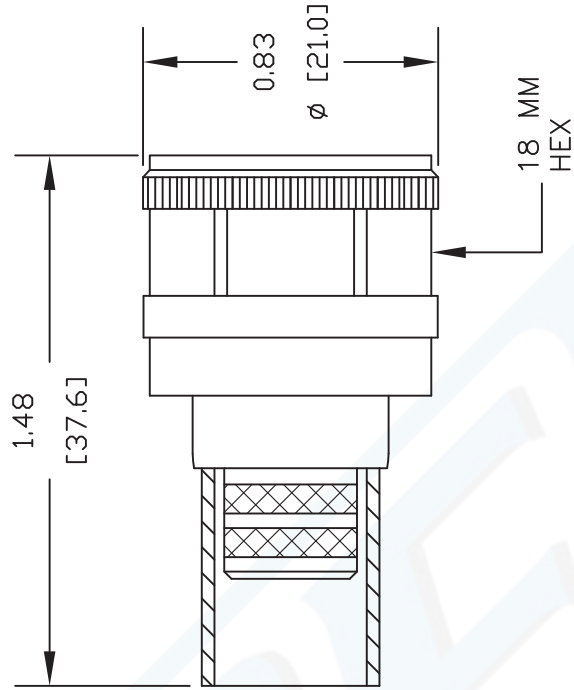
N Male Connector Crimp/Solder Attachment For PE-C400,
0.400 inch, PE-B400, PE-B405, LMR-400



STRIPPING DIMENSIONS

CRIMP SIZE REQUIRED

CONTACT: SOLDER
FERRULE: .429" HEX CRIMP TOOL



DWG TITLE

PE44522

- NOTES:
1. UNLESS OTHERWISE SPECIFIED ALL DIMENSIONS ARE NOMINAL.
 2. ALL SPECIFICATIONS ARE SUBJECT TO CHANGE WITHOUT NOTICE AT ANY TIME.
 3. DIMENSIONS ARE IN INCHES [mm].
 4. FITS MIL-C-17 AND EQUIVALENT CABLES.

REV. C

FSCM NO. 53919

CAD FILE 081711

SCALE N/A

SIZE A

2231



Pasternack Enterprises, Inc.
P.O. Box 16759 | Irvine | CA | 92623
Phone: (949) 261-1920 | Fax: (949) 261-7451
Website: www.pasternack.com | E-Mail: sales@pasternack.com



N Male Connector Crimp/Solder Attachment For PE-C400, 0.400 inch, PE-B400, PE-B405, LMR-400

TECHNICAL DATA SHEET

PE44522

N Male Connector Crimp/Solder Attachment For PE-C400, 0.400 inch, PE-B400, PE-B405, LMR-400

Configuration

Connector	N Male
Connector Specification	MIL-C-39012
Connector Interface Type	PE-C400,0.400 inch,PE-B400,PE-B405,LMR-400
Cable Attachment Method (Shield/Contact)	Crimp/Solder
Body Style	Straight

Electrical Specifications

Impedance, Ohms	50
-----------------	----

Mechanical Specifications

Size

Length, in [mm]	1.48 [37.59]
Width/Dia., in [mm]	0.83 [21]
Weight, lbs [g]	0.08 [36.29]

Connector

Type	N Male
Contact Material and Plating	Brass, Gold
Contact Plating Specification	15µ in. minimum
Coupling Nut Material and Plating	Brass, Tri-Metal
Hex Size, mm	18
Torque, in-lbs [Nm]	9 [1.02]
Body Material and Plating	Brass, Tri-Metal
Dielectric Type	Teflon

Compliance Certifications (visit www.Pasternack.com for current document)

RoHS Compliant	Yes
----------------	-----

Plotted and Other Data

Notes: Values at 25 °C, sea level

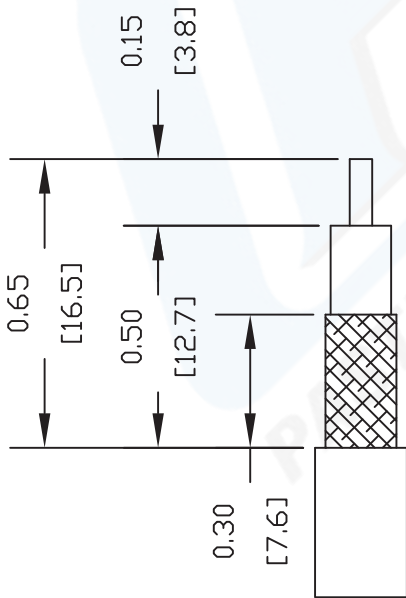
URL: <http://www.pasternack.com/n-male-standard-pe-c400-0.400-pe-b400-pe-b405-lmr-400-connector-pe44522-p.aspx>

N Male Connector Crimp/Solder Attachment For PE-C400, 0.400 inch, PE-B400, PE-B405, LMR-400 from Pasternack Enterprises has same day shipment for domestic and International orders. We maintain 99% availability of the industry's broadest selection of RF, microwave and fiber optic products.

The information contained in this document is accurate to the best of our knowledge and representative of the part described herein. It may be necessary to make modifications to the part and/or the documentation of the part, in order to implement improvements. Pasternack reserves the right to make such changes as required. Unless otherwise stated, all specifications are nominal.

PE44522 CAD Drawing

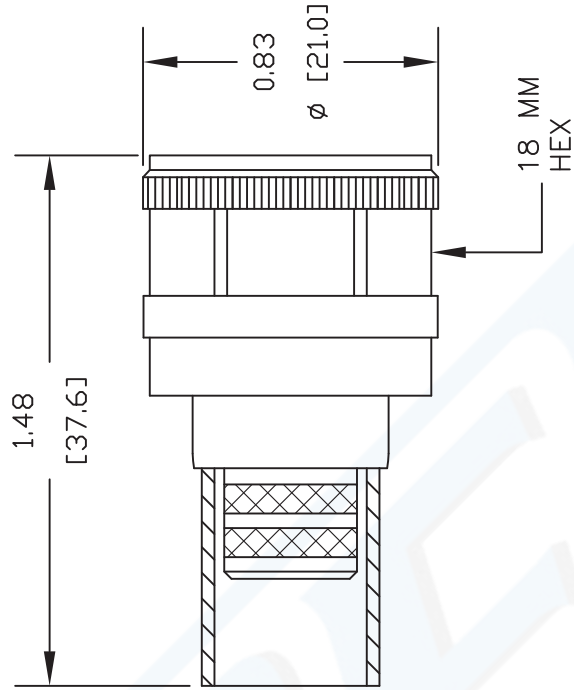
N Male Connector Crimp/Solder Attachment For PE-C400,
0.400 inch, PE-B400, PE-B405, LMR-400



STRIPPING DIMENSIONS

CRIMP SIZE REQUIRED

CONTACT: SOLDER
FERRULE: .429" HEX CRIMP TOOL



DWG TITLE

PE44522

- NOTES:
1. UNLESS OTHERWISE SPECIFIED ALL DIMENSIONS ARE NOMINAL.
 2. ALL SPECIFICATIONS ARE SUBJECT TO CHANGE WITHOUT NOTICE AT ANY TIME.
 3. DIMENSIONS ARE IN INCHES [mm].
 4. FITS MIL-C-17 AND EQUIVALENT CABLES.

REV. C

FSCM NO. 53919

CAD FILE 081711

SCALE N/A

SIZE A

2231



Pasternack Enterprises, Inc.
P.O. Box 16759 | Irvine | CA | 92623
Phone: (949) 261-1920 | Fax: (949) 261-7451
Website: www.pasternack.com | E-Mail: sales@pasternack.com



Low Loss Flexible RG8 Type Coax Cable Double Shielded with Black PE Jacket

TECHNICAL DATA SHEET

PE-C400

Low Loss Flexible RG8 Type Coax Cable Double Shielded with Black PE Jacket

Configuration

Cable Design	Low Loss
Inner Conductor Material and Plating	Copper Clad Aluminum
Dielectric Type	PE (F)
Shield Materials	Aluminum Tape, Tinned Copper Braid
Jacket Material and Color	PE, Black

Electrical Specifications

Impedance, Ohms	50
Velocity of Propagation, %	85
Maximum Operating Frequency, GHz	6
RF Shielding, dB	90
Capacitance, pF/ft [pF/m]	24 [78.74]
Maximum Operating Voltage, Volts	2,500
Jacket Spark, Vrms	8,000

Electrical Specifications by Frequency

Frequency 1

Frequency, MHz	30
Attenuation, dB/100ft [dB/100m]	0.76 [2.49]

Frequency 2

Frequency, MHz	900
Attenuation, dB/100ft [dB/100m]	3.9 [12.8]

Frequency 3

Frequency, GHz	1.5
Attenuation, dB/100ft [dB/100m]	5.1 [16.73]

Frequency 4

Frequency, GHz	2
Attenuation, dB/100ft [dB/100m]	5.9 [19.36]

Frequency 5

Frequency, GHz	3
Attenuation, dB/100ft [dB/100m]	7.5 [24.61]

Frequency 6

Frequency, GHz	5
Attenuation, dB/100ft [dB/100m]	10 [32.81]

Click the following link (or enter part number in "SEARCH" on website) to obtain additional part information including price, inventory and certifications: [Low Loss Flexible RG8 Type Coax Cable Double Shielded with Black PE Jacket PE-C400](#)

The information contained in this document is accurate to the best of our knowledge and representative of the part described herein. It may be necessary to make modifications to the part and/or the documentation of the part, in order to implement improvements. Pasternack reserves the right to make such changes as required. Unless otherwise stated, all specifications are nominal.



Low Loss Flexible RG8 Type Coax Cable Double Shielded with Black PE Jacket

TECHNICAL DATA SHEET

PE-C400

Frequency 7

Frequency, GHz	6
Attenuation, dB/100ft [dB/100m]	11.1 [36.42]

Mechanical Specifications
Temperature

Operating Range, deg C	-40 to +85
Storage Range, deg C	-70 to +85

Inner Conductor

Number of Strands	1
Material	Copper Clad Aluminum
Diameter, in [mm]	0.108 [2.74]

Dielectric:

Type	PE (F)
Diameter, in [mm]	0.285 [7.24]

Shield:

Number of	2
Material 1	Aluminum Tape
Material 2	Tinned Copper Braid
Diameter, in [mm]	0.318 [8.08]

Jacket:

Material	PE
Diameter, in [mm]	0.4 [10.16]
Color	Black
One Time Minimum Bend Radius, in [mm]	1 [25.4]
Repeated Minimum Bend Radius, in [mm]	4 [101.6]
Bending Moment, lbs/ft [Kg/m]	0.5 [0.74]
Tensile Strength, lbs [Kg]	160 [72.57]
Weight, lbs/ft [Kg/m]	0.067 [0.1]

Compliance Certifications (visit www.Pasternack.com for current document)

RoHS Compliant	Yes
----------------	-----

Plotted and Other Data

Notes: Values at 25 °C, sea level

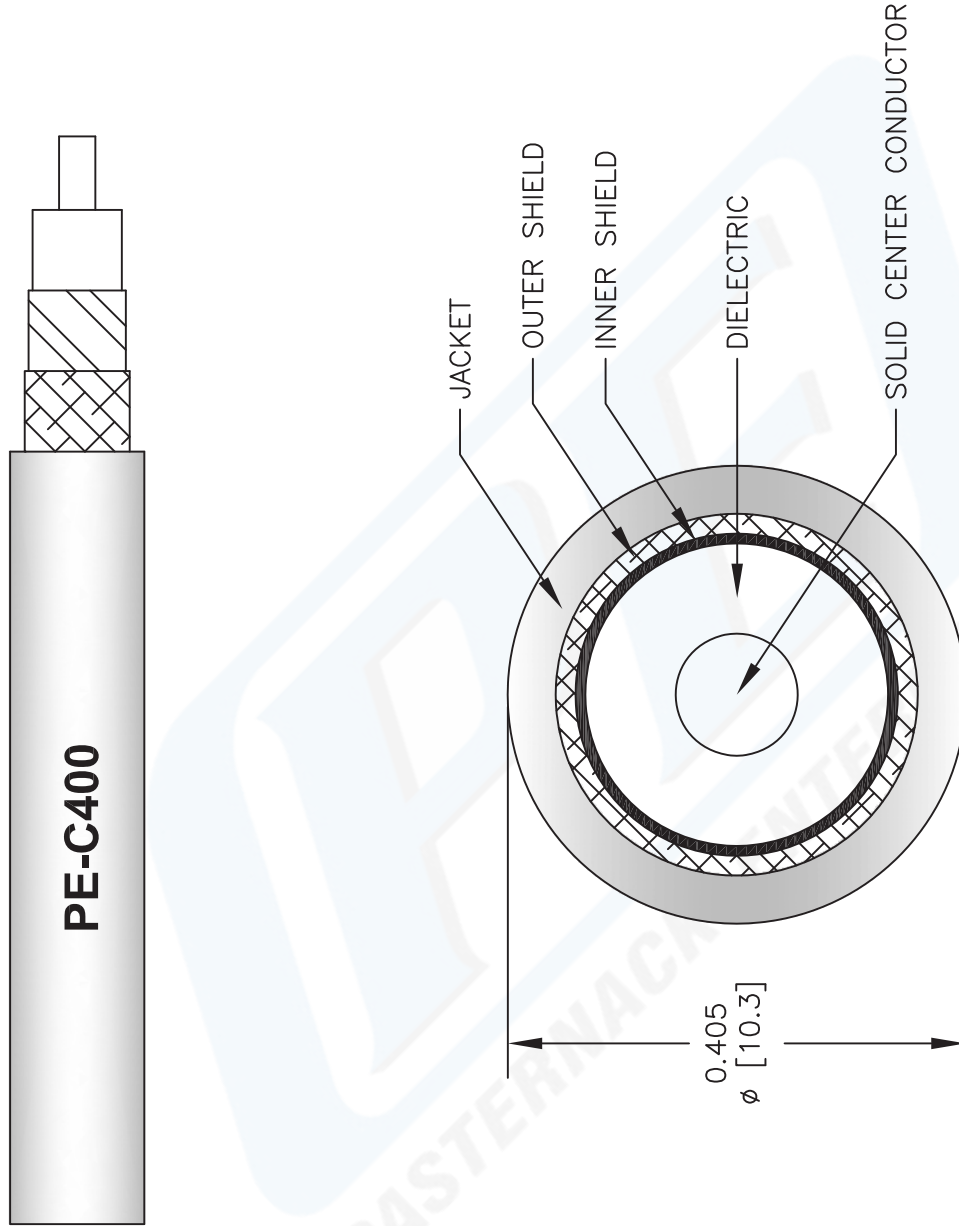
URL: <http://www.pasternack.com/flexible-0.405-50-ohm-coax-cable-pe-jacket-pe-c400-p.aspx>

Low Loss Flexible RG8 Type Coax Cable Double Shielded with Black PE Jacket from Pasternack Enterprises has same day shipment for domestic and International orders. Our RF, microwave and fiber optic products maintain a 99% availability and are part of the broadest selection in the industry.

The information contained in this document is accurate to the best of our knowledge and representative of the part described herein. It may be necessary to make modifications to the part and/or the documentation of the part, in order to implement improvements. Pasternack reserves the right to make such changes as required. Unless otherwise stated, all specifications are nominal.

PE-C400 CAD Drawing

Low Loss Flexible RG8 Type Coax Cable Double Shielded with Black PE Jacket



NOTES:
 1. UNLESS OTHERWISE SPECIFIED ALL DIMENSIONS ARE NOMINAL.
 2. ALL SPECIFICATIONS ARE SUBJECT TO CHANGE WITHOUT NOTICE AT ANY TIME.
 3. DIMENSIONS ARE IN INCHES [mm].

DWG TITLE
PE-C400

FSCM NO. 53919

CAD FILE 042809

SCALE N/A

SIZE A

2233

PE PASTERNAK®
 Pasternack Enterprises, Inc.
 P.O. Box 16759 | Irvine | CA | 92623
Phone: (949) 261-1920 | **Fax:** (949) 261-7451
Website: www.pasternack.com | **E-Mail:** sales@pasternack.com