



SMA Male Right Angle Precision Connector Clamp/Solder Attachment for PE-P142LL

RF Connectors Technical Data Sheet

PE44817

Configuration

- SMA Male Connector
- MIL-PRF-39012
- 50 Ohms
- Right Angle Body Geometry
- PE-P142LL Interface Type
- Clamp/Solder Attachment
- 5/16 inch Hex
- Precision Design

Features

- Max. Operating Frequency 18 GHz
- Excellent VSWR of 1.16:1
- Gold over Nickel Plated Beryllium Copper Contact
- 50 µin minimum contact plating

Applications

- General Purpose Test
- Precision Test & Measurement
- Custom Cable Assemblies

Description

Pasternack's PE44817 SMA male right angle precision connector with clamp/solder attachment for PE-P142LL is part of our full line of RF components available for same-day shipping. Our SMA male connector operates up to a maximum frequency of 18 GHz and offers excellent VSWR of 1.16:1. Its right angle body geometry allows for easier connections in tight spaces.

Our SMA male right angle connector PE44817 datasheet specifications and drawing with dimensions are shown below in this PDF. Pasternack's broad catalog of RF, microwave and millimeter wave connectors allows designers to configure and customize their signal connections however they like. Whether the need is to provide an I/O for a board design, or simply create a custom cable assembly configuration, Pasternack has the right connector for the job. Pasternack can also expertly build your custom cable assemblies for you and ship same-day.

Electrical Specifications

Description	Minimum	Typical	Maximum	Units
Frequency Range	DC		18	GHz
VSWR			1.16:1	
Insertion Loss			0.42	dB
Operating Voltage (AC)			170	Vrms
Dielectric Withstanding Voltage (AC)			500	Vrms
High Potential Voltage 5 to 7.5 MHz			325	Vrms
Corona Discharge at 70,000 ft			125	Vrms
Insulation Resistance	5,000			MOhms
RF Leakage	90			dB

Click the following link (or enter part number in "SEARCH" on website) to obtain additional part information including price, inventory and certifications: [SMA Male Right Angle Precision Connector Clamp/Solder Attachment for PE-P142LL PE44817](#)



SMA Male Right Angle Precision Connector
Clamp/Solder Attachment for PE-P142LL

RF Connectors Technical Data Sheet

PE44817

Performance by Frequency

Description	F1	F2	F3	F4	F5	Units
Frequency Range	DC to 12.4	12.4 to 18				GHz
VSWR, Max	1.14:1	1.16:1				

Mechanical Specifications

Size

Length	1.06 in [26.92 mm]
Width/Dia.	0.63 in [16.00 mm]
Height	0.395 in [10.03 mm]
Weight	0.031 lbs [14.06 g]
Mating Torque	5 to 8 in-lbs [0.57 to 0.90 Nm]

Material Specifications

Description	Material	Plating
Contact	Beryllium Copper	Gold over Nickel 50 µin minimum
Insulation	PTFE	
Body	Passivated Stainless Steel	SAE-AMS-2700
Coupling Nut	Passivated Stainless Steel	SAE-AMS-2700

Environmental Specifications

Temperature

Operating Range	-65 to +165 deg C
-----------------	-------------------

Click the following link (or enter part number in "SEARCH" on website) to obtain additional part information including price, inventory and certifications: [SMA Male Right Angle Precision Connector Clamp/Solder Attachment for PE-P142LL PE44817](#)



SMA Male Right Angle Precision Connector Clamp/Solder Attachment for PE-P142LL

RF Connectors Technical Data Sheet

PE44817

Compliance Certifications (see [product page](#) for current document)

Plotted and Other Data

Notes:

SMA Male Right Angle Precision Connector Clamp/Solder Attachment for PE-P142LL from Pasternack Enterprises has same day shipment for domestic and International orders. Our RF, microwave and millimeter wave products maintain a 99% availability and are part of the broadest selection in the industry.

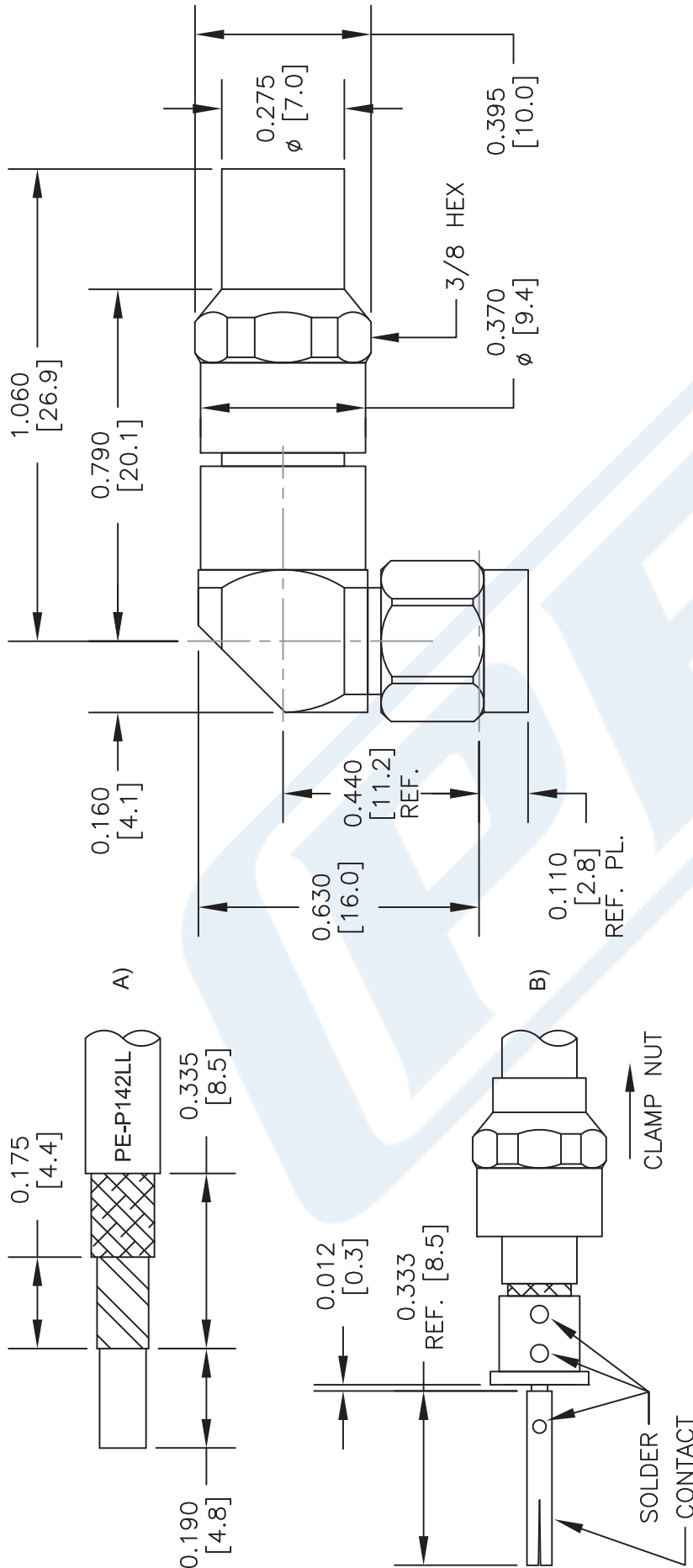
Click the following link (or enter part number in "SEARCH" on website) to obtain additional part information including price, inventory and certifications: [SMA Male Right Angle Precision Connector Clamp/Solder Attachment for PE-P142LL PE44817](#)

URL: <https://www.pasternack.com/sma-male-pe-p142ll-connector-pe44817-p.aspx>

The information contained in this document is accurate to the best of our knowledge and representative of the part described herein. It may be necessary to make modifications to the part and/or the documentation of the part, in order to implement improvements. Pasternack reserves the right to make such changes as required. Unless otherwise stated, all specifications are nominal. Pasternack does not make any representation or warranty regarding the suitability of the part described herein for any particular purpose, and Pasternack does not assume any liability arising out of the use of any part or documentation.

PE44817 CAD Drawing

SMA Male Right Angle Precision Connector Clamp/Solder Attachment for PE-P142LL



STRIPPING DIMENSIONS

ASSEMBLY PROCEDURES

1. TRIM CABLE TO EXPOSE DIELECTRIC CORE AND BRAIDS AS SHOWN IN (A).
2. SLIDE CLAMP NUT OVER CABLE AS SHOWN IN (B). INSERT CABLE INTO SOLDER FERRULE UNTIL INNER BRAID SEATS IN FERRULE. THEN SOLDER CABLE BRAIDS TO FERRULE WHERE SHOWN. TRIM CABLE DIELECTRIC FLUSH WITH SOLDER FERRULE FACE. (DO NOT NICK CABLE CENTER CONDUCTOR). SOLDER CONTACT WITH INDICATED GAP.
3. SCREW ASSEMBLY INTO BODY & TIGHTEN NUT.



Pasternack Enterprises, Inc.
 P.O. Box 16759 | Irvine | CA | 92623
 Phone: (949) 261-1920 | Fax: (949) 261-7451
 Website: www.pasternack.com | E-Mail: sales@pasternack.com

DWG TITLE

PE44817

FSCM NO. 53919

- NOTES:
1. UNLESS OTHERWISE SPECIFIED ALL DIMENSIONS ARE NOMINAL.
 2. ALL SPECIFICATIONS ARE SUBJECT TO CHANGE WITHOUT NOTICE AT ANY TIME.
 3. DIMENSIONS ARE IN INCHES [mm].
 4. FITS MIL-C-17 AND EQUIVALENT CABLES.

CAD FILE 050813

SCALE N/A

SIZE A

2233



SMA Male Right Angle Precision Connector Clamp/Solder Attachment for PE-P142LL

RF Connectors Technical Data Sheet

PE44817

Configuration

- SMA Male Connector
- MIL-PRF-39012
- 50 Ohms
- Right Angle Body Geometry
- PE-P142LL Interface Type
- Clamp/Solder Attachment
- 5/16 inch Hex
- Precision Design

Features

- Max. Operating Frequency 18 GHz
- Excellent VSWR of 1.16:1
- Gold over Nickel Plated Beryllium Copper Contact
- 50 µin minimum contact plating

Applications

- General Purpose Test
- Precision Test & Measurement
- Custom Cable Assemblies

Description

Pasternack's PE44817 SMA male right angle precision connector with clamp/solder attachment for PE-P142LL is part of our full line of RF components available for same-day shipping. Our SMA male connector operates up to a maximum frequency of 18 GHz and offers excellent VSWR of 1.16:1. Its right angle body geometry allows for easier connections in tight spaces.

Our SMA male right angle connector PE44817 datasheet specifications and drawing with dimensions are shown below in this PDF. Pasternack's broad catalog of RF, microwave and millimeter wave connectors allows designers to configure and customize their signal connections however they like. Whether the need is to provide an I/O for a board design, or simply create a custom cable assembly configuration, Pasternack has the right connector for the job. Pasternack can also expertly build your custom cable assemblies for you and ship same-day.

Electrical Specifications

Description	Minimum	Typical	Maximum	Units
Frequency Range	DC		18	GHz
VSWR			1.16:1	
Insertion Loss			0.42	dB
Operating Voltage (AC)			170	Vrms
Dielectric Withstanding Voltage (AC)			500	Vrms
High Potential Voltage 5 to 7.5 MHz			325	Vrms
Corona Discharge at 70,000 ft			125	Vrms
Insulation Resistance	5,000			MOhms
RF Leakage	90			dB

Click the following link (or enter part number in "SEARCH" on website) to obtain additional part information including price, inventory and certifications: [SMA Male Right Angle Precision Connector Clamp/Solder Attachment for PE-P142LL PE44817](#)



SMA Male Right Angle Precision Connector
 Clamp/Solder Attachment for PE-P142LL

RF Connectors Technical Data Sheet

PE44817

Performance by Frequency

Description	F1	F2	F3	F4	F5	Units
Frequency Range	DC to 12.4	12.4 to 18				GHz
VSWR, Max	1.14:1	1.16:1				

Mechanical Specifications

Size

Length	1.06 in [26.92 mm]
Width/Dia.	0.63 in [16.00 mm]
Height	0.395 in [10.03 mm]
Weight	0.031 lbs [14.06 g]
Mating Torque	5 to 8 in-lbs [0.57 to 0.90 Nm]

Material Specifications

Description	Material	Plating
Contact	Beryllium Copper	Gold over Nickel 50 µin minimum
Insulation	PTFE	
Body	Passivated Stainless Steel	SAE-AMS-2700
Coupling Nut	Passivated Stainless Steel	SAE-AMS-2700

Environmental Specifications

Temperature

Operating Range	-65 to +165 deg C
-----------------	-------------------

Click the following link (or enter part number in "SEARCH" on website) to obtain additional part information including price, inventory and certifications: [SMA Male Right Angle Precision Connector Clamp/Solder Attachment for PE-P142LL PE44817](#)



SMA Male Right Angle Precision Connector Clamp/Solder Attachment for PE-P142LL

RF Connectors Technical Data Sheet

PE44817

Compliance Certifications (see [product page](#) for current document)

Plotted and Other Data

Notes:

SMA Male Right Angle Precision Connector Clamp/Solder Attachment for PE-P142LL from Pasternack Enterprises has same day shipment for domestic and International orders. Our RF, microwave and millimeter wave products maintain a 99% availability and are part of the broadest selection in the industry.

Click the following link (or enter part number in "SEARCH" on website) to obtain additional part information including price, inventory and certifications: [SMA Male Right Angle Precision Connector Clamp/Solder Attachment for PE-P142LL PE44817](#)

URL: <https://www.pasternack.com/sma-male-pe-p142ll-connector-pe44817-p.aspx>

The information contained in this document is accurate to the best of our knowledge and representative of the part described herein. It may be necessary to make modifications to the part and/or the documentation of the part, in order to implement improvements. Pasternack reserves the right to make such changes as required. Unless otherwise stated, all specifications are nominal. Pasternack does not make any representation or warranty regarding the suitability of the part described herein for any particular purpose, and Pasternack does not assume any liability arising out of the use of any part or documentation.



Low Loss Flexible PE-P142LL Coax Cable Triple Shielded with Green FEP Jacket

RF Cables Technical Data Sheet

PE-P142LL

Configuration

- Low Loss Flexible Cable
- 3 Shield(s)

Features

- Low Loss dielectric 80% VoP
- Phase stable Expanded PTFE dielectric
- Double Shielded with metalized polyimide interlayer
- Shielding >95dB
- FEP Jacket

Applications

- Low Loss system cables
- Rugged environments
- Test systems with long cable runs
- ATE, Automated Test Equipment
- Antenna Jumpers

Description

PE-P142LL low loss coaxial cable with flat strip foil braid is part of our full line of RF components available for same-day shipping from Pasternack. The PE-P142LL coaxial cable features a low loss dielectric with an 80% velocity of propagation (VoP). These low loss coax features combine to make Pasternack's cable well suited for applications that require a high-performance RF cable. Applications for coax with low loss include long cable lengths where the attenuation from standard solid dielectric coax would impact system performance.

The 0.195 inch diameter coax has a durable FEP outer jacket that makes this cable appropriate for a wide range of indoor or outdoor applications. The flat foil braid provides superior shielding and the expanded PTFE dielectric contributes to the lower attenuation and improves the power handling of this coax cable.

Our datasheet specifications and drawing with dimensions for the PE-P142LL coax cable are shown below in this PDF. In addition to bulk RF cable, Pasternack offers cable assemblies using PE-P142LL with a wide selection of connector options available. See our web site to find the right connector cable combination for your application.

Electrical Specifications

Description	Minimum	Typical	Maximum	Units
Frequency Range	DC		18	GHz
Impedance		50		Ohms
Structural VSWR		1.35:1		
Velocity of Propagation		80		%
Nominal Capacitance		25 [82.02]		pF/ft [pF/m]

Click the following link (or enter part number in "SEARCH" on website) to obtain additional part information including price, inventory and certifications: [Low Loss Flexible PE-P142LL Coax Cable Triple Shielded with Green FEP Jacket PE-P142LL](#)



Low Loss Flexible PE-P142LL Coax Cable Triple Shielded with Green FEP Jacket

RF Cables Technical Data Sheet

PE-P142LL

Performance by Frequency Band

Description	F1	F2	F3	F4	F5	Units
Frequency	0.4	1	2	2.4	3	GHz
Attenuation, Max	5.2	8.2	11.8	12.9	14.5	dB/100ft
	17.06	26.9	38.71	42.32	47.57	dB/100m
Attenuation, Typ	4.7	7.5	10.7	11.7	13.2	dB/100ft
	15.42	24.61	35.1	38.39	43.31	dB/100m
Input Power (CW), Max	1,310	820			460	Watts

Description	F6	F7	F8	F9	F10	Units
Frequency	5	10	18			GHz
Attenuation, Max	18.9	27.4	37.6			dB/100ft
	62.01	89.9	123.36			dB/100m
Attenuation, Typ	17.2	24.9	34.2			dB/100ft
	56.43	81.69	112.2			dB/100m
Input Power (CW), Max	350	240	170			Watts

Electrical Specification Notes:
Power handling derates linearly to 0% from +25°C to +250°C.

Mechanical Specifications

Diameter	0.195 in [4.95 mm]
Weight	0.037 lbs/ft [0.06 Kg/m]
Min. Bend Radius (Repeated)	0.975 in [24.77 mm]

Construction Specifications

Description	Material and Plating	Diameter
Inner Conductor	Copper, Silver1	0.051 in 1.3 mm
Conductor Type	Solid	
Dielectric	PTFE	0.145 in 3.68 mm

Click the following link (or enter part number in "SEARCH" on website) to obtain additional part information including price, inventory and certifications: [Low Loss Flexible PE-P142LL Coax Cable Triple Shielded with Green FEP Jacket PE-P142LL](#)



Low Loss Flexible PE-P142LL Coax Cable Triple Shielded with Green FEP Jacket

RF Cables Technical Data Sheet

PE-P142LL

First Shield	Silver Plated Copper Tape 90% min. coverage	0.152 in 3.86 mm
Second Shield	Aluminum Polyester	0.158 in 4.01 mm
Third Shield	Silver Plated Copper Wire 90% min. coverage	0.178 in 4.52 mm
Jacket	FEP, Green	0.195 in [4.95 mm]

Environmental Specifications

Temperature

Operating Range

-55 to +200 deg C

Compliance Certifications (see [product page](#) for current document)

Plotted and Other Data

Notes:

Low Loss Flexible PE-P142LL Coax Cable Triple Shielded with Green FEP Jacket from Pasternack Enterprises has same day shipment for domestic and International orders. Our RF, microwave and millimeter wave products maintain a 99.4% availability and are part of the broadest selection in the industry.

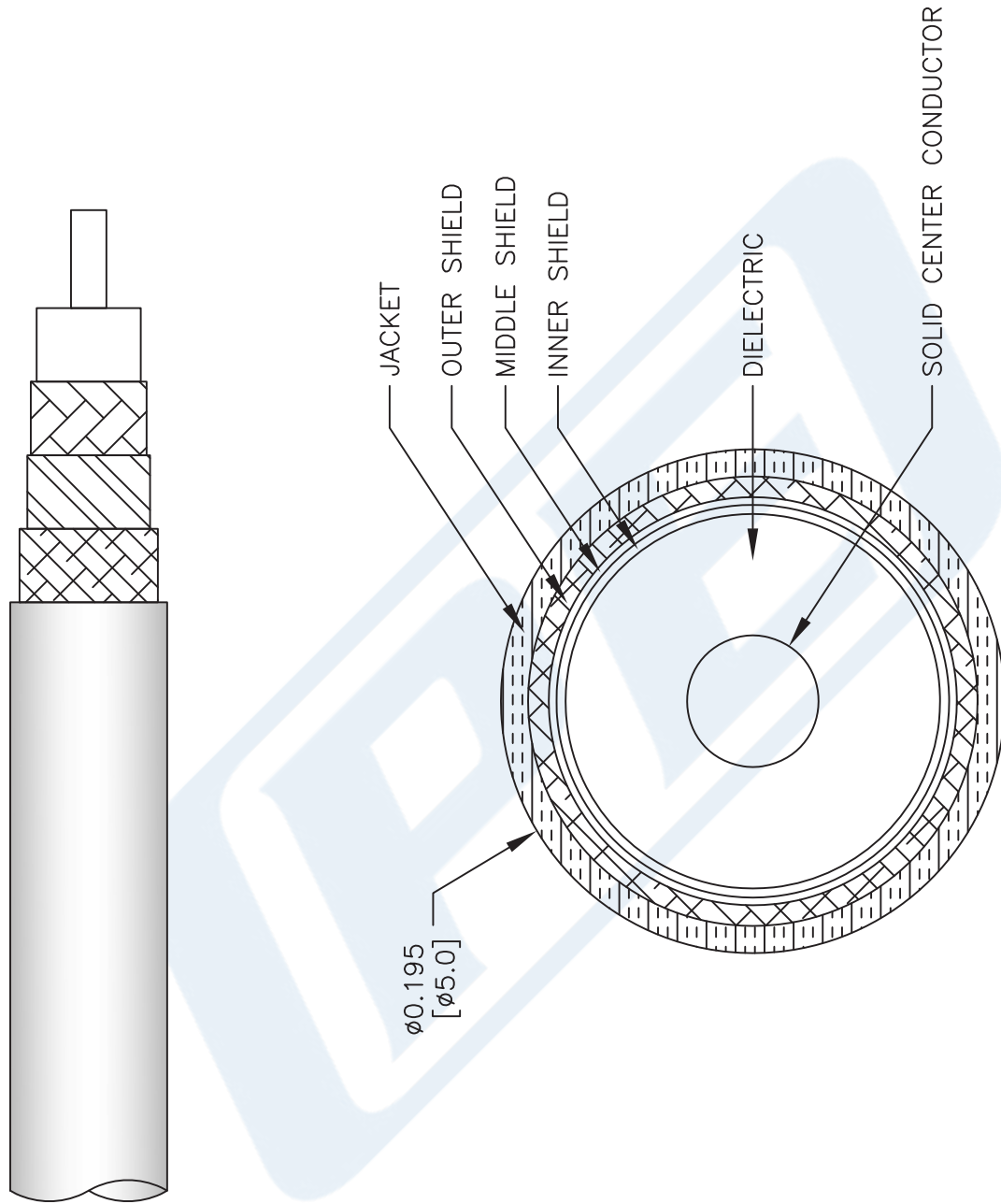
Click the following link (or enter part number in "SEARCH" on website) to obtain additional part information including price, inventory and certifications: [Low Loss Flexible PE-P142LL Coax Cable Triple Shielded with Green FEP Jacket PE-P142LL](#)

URL: <https://www.pasternack.com/50ohm-low-loss-flexible-pe-p142ll-coax-cable-triple-shielded-fep-jacket-p.aspx>

The information contained in this document is accurate to the best of our knowledge and representative of the part described herein. It may be necessary to make modifications to the part and/or the documentation of the part, in order to implement improvements. Pasternack reserves the right to make such changes as required. Unless otherwise stated, all specifications are nominal. Pasternack does not make any representation or warranty regarding the suitability of the part described herein for any particular purpose, and Pasternack does not assume any liability arising out of the use of any part or documentation.

PE-P142LL CAD Drawing

Low Loss Flexible PE-P142LL Coax Cable Triple Shielded with Green FEP Jacket



NOTES:
 1. UNLESS OTHERWISE SPECIFIED ALL DIMENSIONS ARE NOMINAL.
 2. ALL SPECIFICATIONS ARE SUBJECT TO CHANGE WITHOUT NOTICE AT ANY TIME.
 3. DIMENSIONS ARE IN INCHES [mm].

DWG TITLE
PE-P142LL

CAGE CODE 53919

CAD FILE 062817

SCALE N/A

SIZE A

2233

PE PASTERNAK
 THE ENGINEER'S RF SOURCE
 Pasternack Enterprises, Inc.
 P.O. Box 16759 | Irvine | CA | 92623
 Phone: (949) 261-1920 | Fax: (949) 261-7451
 Website: www.pasternack.com | E-Mail: sales@pasternack.com