



N Male Right Angle Precision Connector Clamp/ Solder Attachment for PE-P300LL

RF Connectors Technical Data Sheet

PE45225

Configuration

- N Male Connector
- 50 Ohms
- Right Angle Body Geometry
- PE-P300LL Interface Type
- Clamp/Solder Attachment
- 3/4 Inch Hex
- Precision Design

Features

- Max. Operating Frequency 18 GHz
- Good VSWR of 1.45:1
- Gold Plated Beryllium Copper Contact
- Contact plating according to ASTM-B488 50 μ m minimum

Applications

- General Purpose Test
- Precision Test & Measurement
- Custom Cable Assemblies

Description

Pasternack's PE45225 type N male right angle connector with clamp/solder attachment for PE-P300LL is part of our full line of RF components available for same-day shipping. Our type N male connector operates up to a maximum frequency of 18 GHz and offers good VSWR of 1.45:1. Its right angle body geometry allows for easier connections in tight spaces.

Our type N male right angle connector PE45225 datasheet specifications and drawing with dimensions are shown below in this PDF. Pasternack's broad catalog of RF, microwave and millimeter wave connectors allows designers to configure and customize their signal connections however they like. Whether the need is to provide an I/O for a board design, or simply create a custom cable assembly configuration, Pasternack has the right connector for the job. Pasternack can also expertly build your custom cable assemblies for you and ship same-day.

Electrical Specifications

Description	Minimum	Typical	Maximum	Units
Frequency Range	DC		18	GHz
VSWR			1.45:1	

Mechanical Specifications

Size	
Length	2.08 in [52.83 mm]
Width/Dia.	0.82 in [20.83 mm]
Weight	0.15 lbs [68.04 g]

Click the following link (or enter part number in "SEARCH" on website) to obtain additional part information including price, inventory and certifications: [N Male Right Angle Precision Connector Clamp/Solder Attachment for PE-P300LL PE45225](#)



N Male Right Angle Precision Connector Clamp/ Solder Attachment for PE-P300LL

RF Connectors Technical Data Sheet

PE45225

Material Specifications

Description	Material	Plating
Contact	Beryllium Copper	Gold ASTM-B488 50 µin minimum
Insulation	PTFE	
Body	Passivated Stainless Steel	SAE-AMS-2700
Coupling Nut	Passivated Stainless Steel	SAE-AMS-2700
Gasket	Silicone Rubber	

Environmental Specifications

Temperature

Operating Range -55 to +160 deg C

Compliance Certifications (see [product page](#) for current document)

Plotted and Other Data

Notes:

N Male Right Angle Precision Connector Clamp/Solder Attachment for PE-P300LL from Pasternack Enterprises has same day shipment for domestic and International orders. Our RF, microwave and millimeter wave products maintain a 99.4% availability and are part of the broadest selection in the industry.

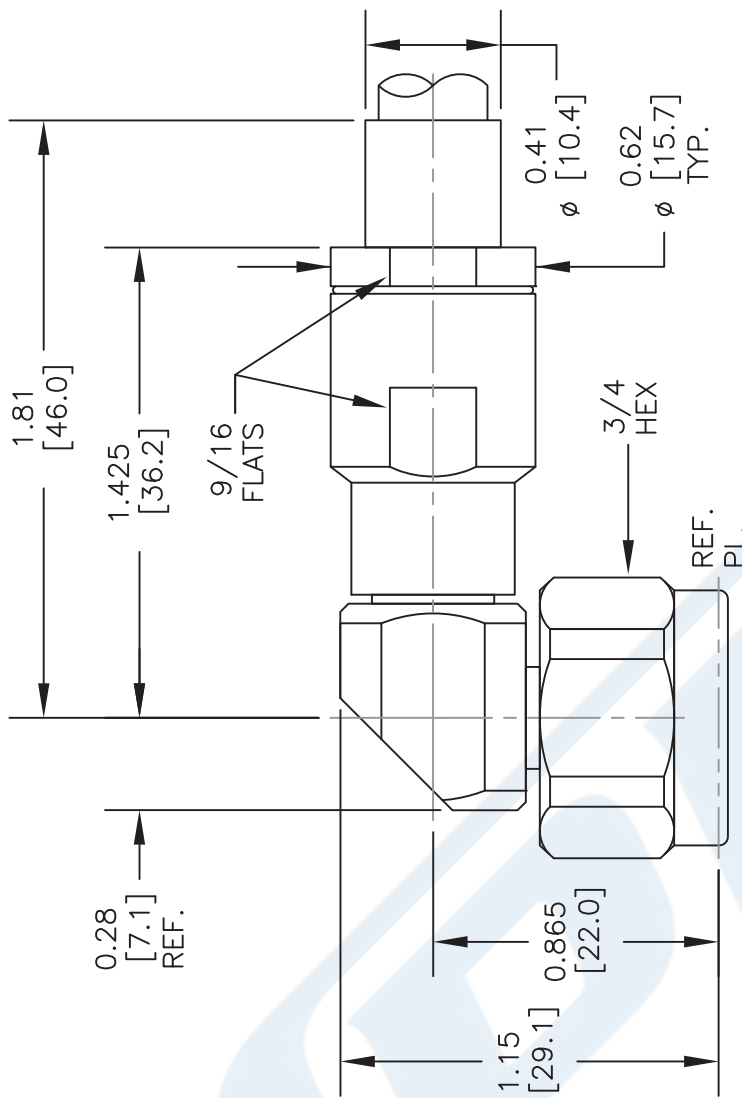
Click the following link (or enter part number in "SEARCH" on website) to obtain additional part information including price, inventory and certifications: [N Male Right Angle Precision Connector Clamp/Solder Attachment for PE-P300LL PE45225](#)

URL: <https://www.pasternack.com/n-male-pe-p300ll-connector-pe45225-p.aspx>

The information contained in this document is accurate to the best of our knowledge and representative of the part described herein. It may be necessary to make modifications to the part and/or the documentation of the part, in order to implement improvements. Pasternack reserves the right to make such changes as required. Unless otherwise stated, all specifications are nominal. Pasternack does not make any representation or warranty regarding the suitability of the part described herein for any particular purpose, and Pasternack does not assume any liability arising out of the use of any part or documentation.

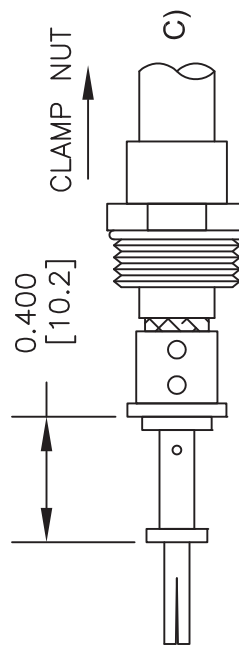
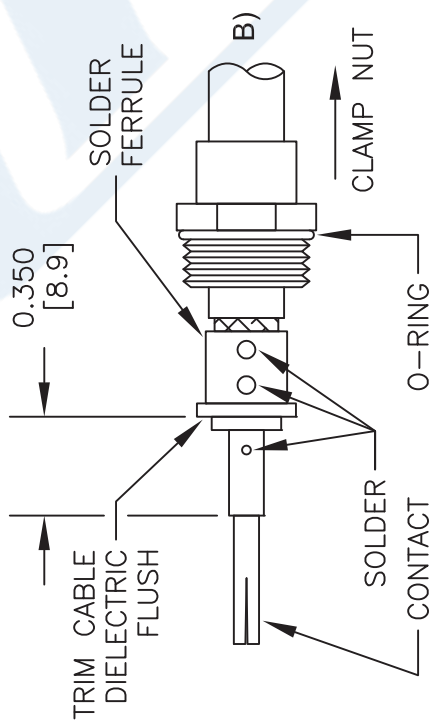
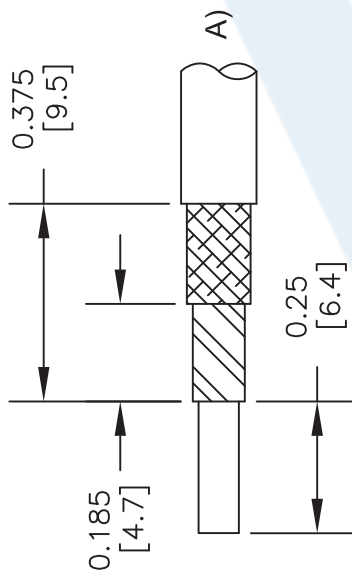
PE45225 CAD Drawing

N Male Right Angle Precision Connector Clamp/Solder Attachment for PE-P300LL



ASSEMBLY PROCEDURES

1. STRIP CABLE AS SHOWN IN (A). DO NOT NICK DIELECTRIC.
2. SLIDE CLAMP NUT OVER CABLE AS SHOWN IN (B). INSERT CABLE INTO SOLDER FERRULE UNTIL FWD BRAID SEATS THEN SOLDER BOTH CABLE BRAIDS WHERE SHOWN. TRIM CABLE DIELECTRIC FLUSH TO SOLDER FERRULE. SLIDE .315Ø STOP OVER CABLE CENTER CONDUCTOR AND SOLDER CONTACT FLUSH AGAINST DIMENSION SHOWN IN (B).
3. SLIDE .274Ø STOP OVER CONTACT AGAINST SHOULDER AS SHOWN IN (C).
4. SCREW ASSEMBLY INTO BODY & TIGHTEN CLAMP NUT.



STRIPPING DIMENSIONS

DWG TITLE

PE45225

- NOTES:
1. UNLESS OTHERWISE SPECIFIED ALL DIMENSIONS ARE NOMINAL.
 2. ALL SPECIFICATIONS ARE SUBJECT TO CHANGE WITHOUT NOTICE AT ANY TIME.
 3. DIMENSIONS ARE IN INCHES [mm].
 4. FITS MIL-C-17 AND EQUIVALENT CABLES.

FSCM NO. 53919

CAD FILE 032216

SCALE N/A

SIZE A

2233

PE PASTERNAK
THE ENGINEER'S RF SOURCE

Pasternack Enterprises, Inc.
P.O. Box 16759 | Irvine | CA | 92623
Phone: (949) 261-1920 | Fax: (949) 261-7451
Website: www.pasternack.com | E-Mail: sales@pasternack.com



N Male Precision Connector Clamp/ Solder Attachment for PE-P300LL

RF Connectors Technical Data Sheet

PE44809

Configuration

- N Male Connector
- 50 Ohms
- Straight Body Geometry
- Connector Interface Types: PE-P300LL
- 3/4 inch Hex
- Precision Design

Features

- Max. Operating Frequency 18 GHz
- Excellent VSWR of 1.16:1
- Gold over Nickel Plated Beryllium Copper Contact
- 50 μ m minimum contact plating

Applications

- General Purpose Test
- Precision Test & Measurement
- Custom Cable Assemblies

Description

Pasternack's PE44809 type N male connector with clamp/solder attachment for PE-P300LL is part of our full line of RF components available for same-day shipping. Our type N male connector operates up to a maximum frequency of 18 GHz and offers excellent VSWR of 1.16:1.

Our type N male connector PE44809 datasheet specifications and drawing with dimensions are shown below in this PDF. Pasternack's broad catalog of RF, microwave and millimeter wave connectors allows designers to configure and customize their signal connections however they like. Whether the need is to provide an I/O for a board design, or simply create a custom cable assembly configuration, Pasternack has the right connector for the job. Pasternack can also expertly build your custom cable assemblies for you and ship same-day.

Electrical Specifications

Description	Minimum	Typical	Maximum	Units
Frequency Range	DC		18	GHz
VSWR			1.16:1	

Electrical Specification Notes:
 Insertion loss: 0.04 x sqrt(fGHz) dB max.
 RF leakage: 90 dB min up to 1 GHz.

Mechanical Specifications

Size

Length	1.74 in [44.2 mm]
Width/Dia.	0.75 in [19.05 mm]
Weight	0.104 lbs [47.17 g]
Mating Cycles	500 Cycles
Mating Torque	19 to 21 in-lbs [2.15 to 2.37 Nm]

Click the following link (or enter part number in "SEARCH" on website) to obtain additional part information including price, inventory and certifications: [N Male Precision Connector Clamp/Solder Attachment for PE-P300LL PE44809](#)



N Male Precision Connector Clamp/ Solder Attachment for PE-P300LL

RF Connectors Technical Data Sheet

PE44809

Material Specifications

Description	Material	Plating
Contact	Beryllium Copper	Gold over Nickel 50 µin minimum
Insulation	PTFE	
Body	Passivated Stainless Steel	SAE-AMS-2700
Coupling Nut	Passivated Stainless Steel	SAE-AMS-2700

Environmental Specifications

Temperature

Operating Range

-65 to +165 deg C

Humidity

MIL-STD-202, Method 106, No Vibration

Shock

MIL-STD-202, Method 213, Condition I

Vibration

MIL-STD-202, Method 204, Condition D

Thermal Shock

MIL-STD-202, Method 107, Condition B

Salt Spray

MIL-STD-202, Method 101, Condition B (5%)

Compliance Certifications (see [product page](#) for current document)

Plotted and Other Data

Notes:

Click the following link (or enter part number in "SEARCH" on website) to obtain additional part information including price, inventory and certifications: [N Male Precision Connector Clamp/Solder Attachment for PE-P300LL PE44809](#)

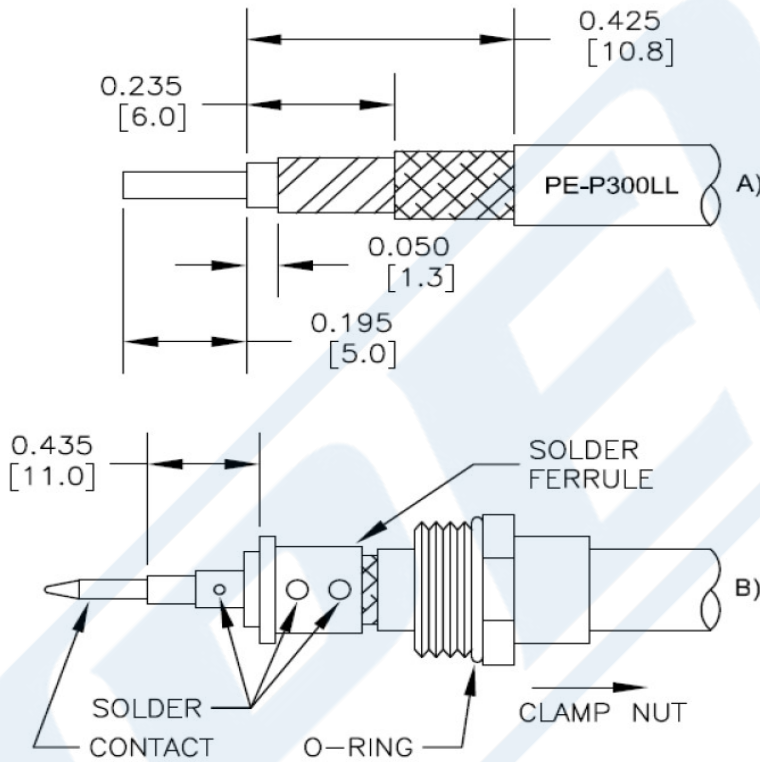


N Male Precision Connector Clamp/
Solder Attachment for PE-P300LL

RF Connectors
Technical Data Sheet

PE44809

Assembly Instruction



STRIPPING DIMENSIONS

ASSEMBLY PROCEDURES

1. STRIP CABLE AS SHOWN IN (A). DO NOT NICK DIELECTRIC.
2. SLIDE CLAMP NUT OVER CABLE AS SHOWN IN (B). INSERT CALBE INTO SOLDER FERRULE UNTIL CALBE IELECTRIC IS FLUSH WITH FACE OF FERRRLUE. THEN SOLDER BOTH CABLE BRAIDS WHERE SHOWN.
3. SCREW ASSEMBLY INTO BODY & TIGHTEN CLAMP NUT TO 35-45 IN/LBS.

Click the following link (or enter part number in "SEARCH" on website) to obtain additional part information including price, inventory and certifications: [N Male Precision Connector Clamp/Solder Attachment for PE-P300LL PE44809](#)



N Male Precision Connector Clamp/ Solder Attachment for PE-P300LL

RF Connectors Technical Data Sheet

PE44809

N Male Precision Connector Clamp/Solder Attachment for PE-P300LL from Pasternack Enterprises has same day shipment for domestic and International orders. Our RF, microwave and millimeter wave products maintain a 99.4% availability and are part of the broadest selection in the industry.

Click the following link (or enter part number in "SEARCH" on website) to obtain additional part information including price, inventory and certifications: [N Male Precision Connector Clamp/Solder Attachment for PE-P300LL PE44809](#)

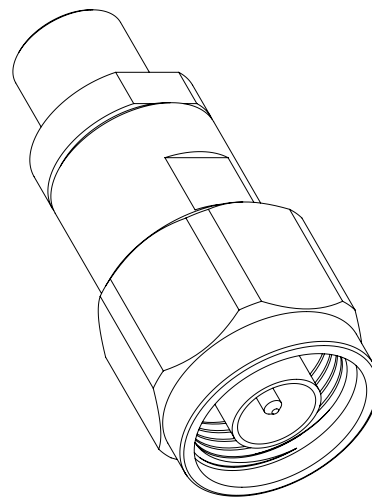
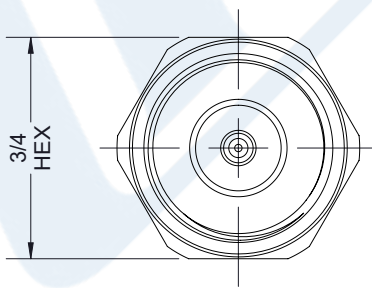
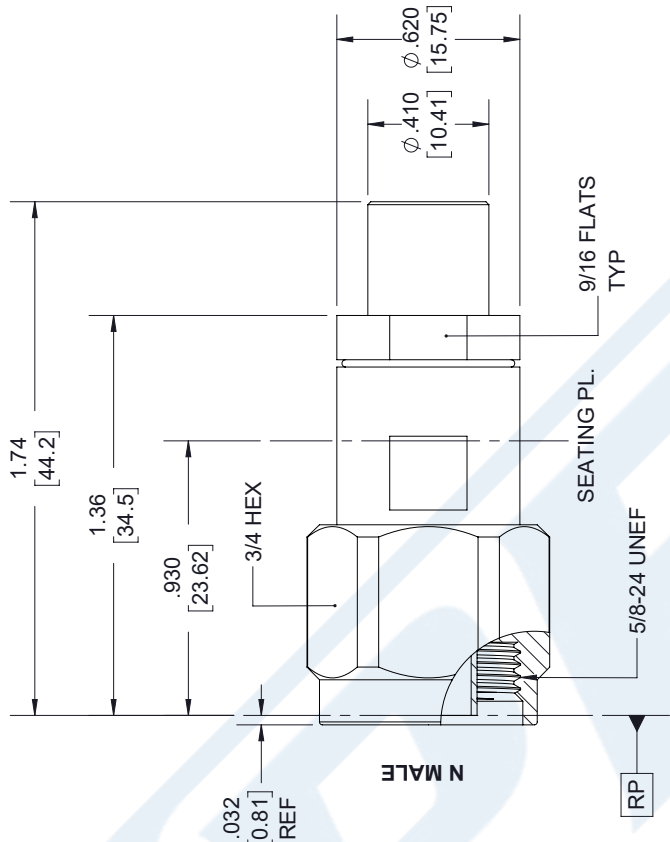
URL: <https://www.pasternack.com/n-male-pe-p300ll-connector-pe44809-p.aspx>

The information contained in this document is accurate to the best of our knowledge and representative of the part described herein. It may be necessary to make modifications to the part and/or the documentation of the part, in order to implement improvements. Pasternack reserves the right to make such changes as required. Unless otherwise stated, all specifications are nominal. Pasternack does not make any representation or warranty regarding the suitability of the part described herein for any particular purpose, and Pasternack does not assume any liability arising out of the use of any part or documentation.

PE44809 CAD Drawing

N Male Precision Connector Clamp/Solder Attachment for PE-P300LL

REVISIONS			
REV.	DESCRIPTION	DATE	APPROVED
A	PCR PE44809	7/13/2020	S.ELLIS



UNLESS OTHERWISE SPECIFIED LEADING DIMENSIONS ARE INCHES DIMENSIONS IN [] ARE MILLIMETERS

TOLERANCES:
 .X = ±.2 [5.08] FRACTIONS ± 1/32
 .XX = ±.02 [.51] ANGLES ± 1°
 .XXX = ±.005 [.13]
 CABLE LENGTH (L) TOLERANCES:
 L ≤ 12 [305] = +1 [25] / -0
 12 [305] < L ≤ 60 [1524] = +2 [51] / -0
 60 [1524] < L ≤ 120 [3048] = +4 [102] / -0
 120 [3048] < L ≤ 300 [7620] = +6 [152] / -0
 300 [7620] < L = +5%L / -0

ALL DIMENSIONS SHOWN ARE FOR REFERENCE ONLY.

THIRD-ANGLE PROJECTION

THE INFORMATION AND DESIGN IN THIS DOCUMENT IS THE PROPERTY OF PASTERNAK CORPORATION ALL RIGHTS RESERVED.

SHEET 1 OF 2
SCALE N/A

PE PASTERNAK
an INFINITI brand

Pasternack Enterprises, Inc.
P. O. Box 16759, Irvine, CA 92623.
Phone: 1.949.261.1920 | 1.866.727.8376
Fax: 1.949.261.7451
Website: www.pasternack.com
E-mail: sales@pasternack.com

REV A
ITEM NO. PE44809
CAGE CODE A
DRAWN BY K.Dang
53919

THESE COMMODITIES, TECHNOLOGY OR SOFTWARE WERE EXPORTED FROM THE UNITED STATES IN ACCORDANCE WITH THE EXPORT ADMINISTRATION REGULATIONS. DIVERSION CONTRARY TO U.S. LAW PROHIBITED.



Low Loss Flexible PE-P300LL Coax Cable Triple Shielded with Green FEP Jacket

RF Cables Technical Data Sheet

PE-P300LL

Configuration

- Low Loss Flexible Cable
- 3 Shield(s)

Features

- Low Loss dielectric 83% VoP
- Phase stable Expanded PTFE dielectric
- Double Shielded with metalized polyimide interlayer
- Shielding >95dB
- FEP Jacket

Applications

- Low Loss system cables
- Rugged environments
- Test systems with long cable runs
- ATE, Automated Test Equipment
- Antenna Jumpers

Description

PE-P300LL low loss coaxial cable with flat strip foil braid is part of our full line of RF components available for same-day shipping from Pasternack. The PE-P300LL coaxial cable features a low loss dielectric with an 83% velocity of propagation (VoP). These low loss coax features combine to make Pasternack's cable well suited for applications that require a high-performance RF cable. Applications for coax with low loss include long cable lengths where the attenuation from standard solid dielectric coax would impact system performance.

The 0.300 inch diameter coax has a durable FEP outer jacket that makes this cable appropriate for a wide range of indoor or outdoor applications. The flat foil braid provides superior shielding and the expanded PTFE dielectric contributes to the lower attenuation and improves the power handling of this coax cable.

Our datasheet specifications and drawing with dimensions for The PE-P300LL coax cable are shown below in this PDF. In addition to bulk RF cable, Pasternack offers cable assemblies using PE-P300LL with a wide selection of connector options available. See our web site to find the right connector cable combination for your application.

Electrical Specifications

Description	Minimum	Typical	Maximum	Units
Frequency Range	DC		18	GHz
Impedance		50		Ohms
Structural VSWR		1.35:1		
Velocity of Propagation		83		%
Nominal Capacitance		25 [82.02]		pF/ft [pF/m]

Click the following link (or enter part number in "SEARCH" on website) to obtain additional part information including price, inventory and certifications: [Low Loss Flexible PE-P300LL Coax Cable Triple Shielded with Green FEP Jacket PE-P300LL](#)



Low Loss Flexible PE-P300LL Coax Cable Triple Shielded with Green FEP Jacket

RF Cables Technical Data Sheet

PE-P300LL

Performance by Frequency Band

Description	F1	F2	F3	F4	F5	Units
Frequency	0.4	1	2	2.4	3	GHz
Attenuation, Max	3.2	5.1	7.3	8	9	dB/100ft
	10.5	16.73	23.95	26.25	29.53	dB/100m
Attenuation, Typ	2.9	4.6	6.6	7.3	8.2	dB/100ft
	9.51	15.09	21.65	23.95	26.9	dB/100m
Input Power (CW), Max	2,750	1,700			950	Watts

Description	F6	F7	F8	F9	F10	Units
Frequency	5	10	18			GHz
Attenuation, Max	11.9	17.4	24.1			dB/100ft
	39.04	57.09	79.07			dB/100m
Attenuation, Typ	10.8	15.8	21.9			dB/100ft
	35.43	51.84	71.85			dB/100m
Input Power (CW), Max	730	500	345			Watts

Electrical Specification Notes:
Power handling derates linearly to 0% from +25°C to +250°C.

Mechanical Specifications

Diameter	0.3 in [7.62 mm]
Weight	0.079 lbs/ft [0.12 Kg/m]
Min. Bend Radius (Repeated)	1.5 in [38.1 mm]

Construction Specifications

Description	Material and Plating	Diameter
Inner Conductor	Copper, Silver1	0.089 in 2.26 mm
Conductor Type	Solid	
Dielectric	PTFE	0.25 in 6.35 mm

Click the following link (or enter part number in "SEARCH" on website) to obtain additional part information including price, inventory and certifications: [Low Loss Flexible PE-P300LL Coax Cable Triple Shielded with Green FEP Jacket PE-P300LL](#)



Low Loss Flexible PE-P300LL Coax Cable Triple Shielded with Green FEP Jacket

RF Cables Technical Data Sheet

PE-P300LL

First Shield	Silver Plated Copper Tape 90% min. coverage	0.255 in 6.48 mm
Second Shield	Aluminum Polyester	0.261 in 6.63 mm
Third Shield	Silver Plated Copper Wire 90% min. coverage	0.277 in 7.04 mm
Jacket	FEP, Green	0.3 in [7.62 mm]

Environmental Specifications

Temperature

Operating Range

-55 to +200 deg C

Compliance Certifications (see [product page](#) for current document)

Plotted and Other Data

Notes:

Low Loss Flexible PE-P300LL Coax Cable Triple Shielded with Green FEP Jacket from Pasternack Enterprises has same day shipment for domestic and International orders. Our RF, microwave and millimeter wave products maintain a 99.4% availability and are part of the broadest selection in the industry.

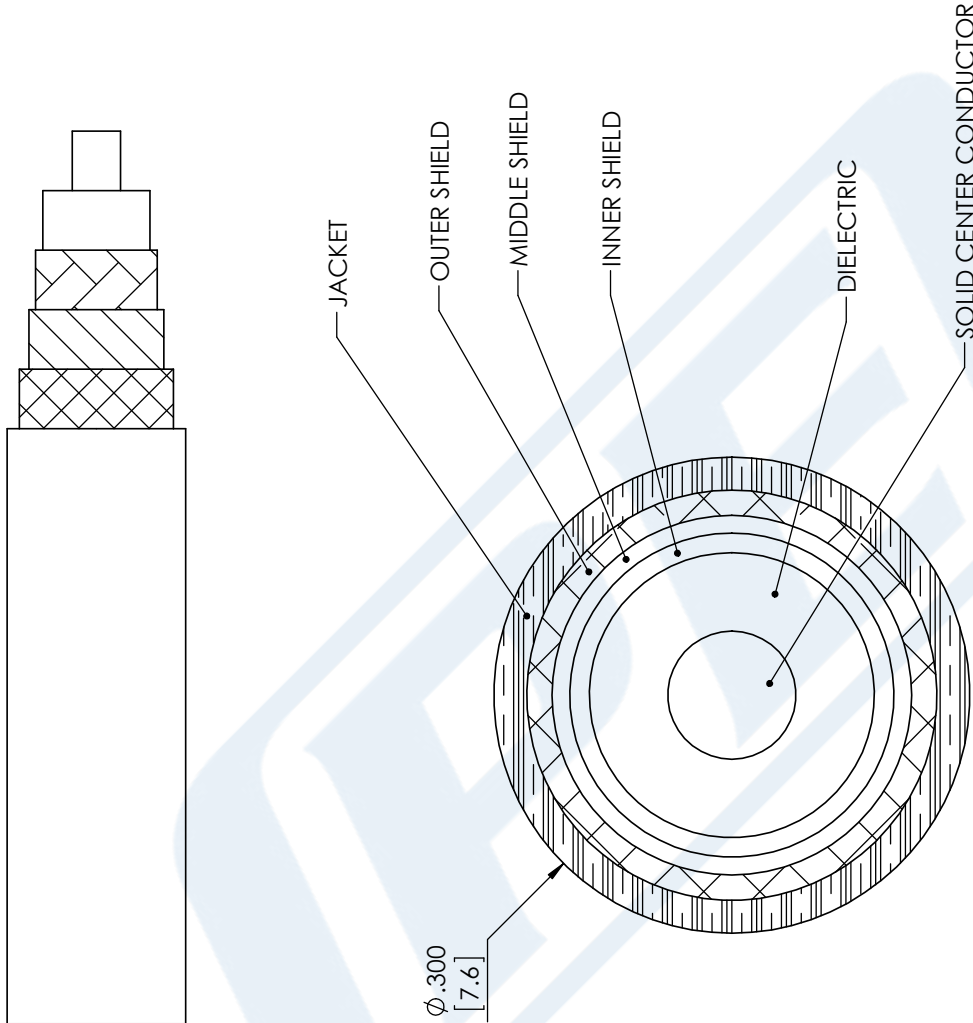
Click the following link (or enter part number in "SEARCH" on website) to obtain additional part information including price, inventory and certifications: [Low Loss Flexible PE-P300LL Coax Cable Triple Shielded with Green FEP Jacket PE-P300LL](#)

URL: <https://www.pasternack.com/50ohm-low-loss-flexible-pe-p300ll-coax-cable-triple-shielded-fep-jacket-p.aspx>

The information contained in this document is accurate to the best of our knowledge and representative of the part described herein. It may be necessary to make modifications to the part and/or the documentation of the part, in order to implement improvements. Pasternack reserves the right to make such changes as required. Unless otherwise stated, all specifications are nominal. Pasternack does not make any representation or warranty regarding the suitability of the part described herein for any particular purpose, and Pasternack does not assume any liability arising out of the use of any part or documentation.

PE-P300LL CAD Drawing

Low Loss Flexible PE-P300LL Coax Cable Triple Shielded with Green FEP Jacket



STANDARD TOLERANCES	
.X	± 0.2
.XX	± 0.01
.XXX	± 0.005

*STANDARD TOLERANCES APPLY ONLY TO DIMENSIONS IN INCHES

PE PASTERNAK
THE ENGINEER'S RF SOURCE
 Pasternack Enterprises, Inc.
 P.O. Box 16759 | Irvine | CA | 92623
Phone: (949) 261-1920 | **Fax:** (949) 261-7451
Website: www.pasternack.com | **E-Mail:** sales@pasternack.com

DWG TITLE
 PE-P300LL
 CAGE CODE 53919

NOTES:
 1. UNLESS OTHERWISE SPECIFIED ALL DIMENSIONS ARE NOMINAL.
 2. ALL SPECIFICATIONS ARE SUBJECT TO CHANGE WITHOUT NOTICE AT ANY TIME.
 3. DIMENSIONS ARE IN INCHES [mm].

CAD FILE 11/28/17 SCALE N/A SIZE A CN2245