



## N Male Right Angle Connector Crimp/Solder Attachment for RG55, RG141, RG142, RG223, RG400

### RF Connectors Technical Data Sheet

PE4484

#### Configuration

- N Male Connector
- MIL-STD-348A
- 50 Ohms
- Right Angle Body Geometry
- RG55, RG141, RG142, RG223, RG400 Interface Type
- Crimp/Solder Attachment

#### Features

- Max. Operating Frequency 1,000 MHz
- Good VSWR of 1.5:1
- Gold Plated Brass Contact
- 30  $\mu$ m minimum contact plating

#### Applications

- General Purpose Test
- Custom Cable Assemblies

#### Description

Pasternack's PE4484 type N male right angle connector with crimp/solder attachment for RG55, RG141, RG142, RG223 and RG400 is part of our full line of RF components available for same-day shipping. Our type N male connector operates up to a maximum frequency of 1,000 MHz and offers good VSWR of 1.5:1. Its right angle body geometry allows for easier connections in tight spaces.

Our type N male right angle connector PE4484 datasheet specifications and drawing with dimensions are shown below in this PDF. Pasternack's broad catalog of RF, microwave and millimeter wave connectors allows designers to configure and customize their signal connections however they like. Whether the need is to provide an I/O for a board design, or simply create a custom cable assembly configuration, Pasternack has the right connector for the job. Pasternack can also expertly build your custom cable assemblies for you and ship same-day.

#### Electrical Specifications

| Description                          | Minimum | Typical | Maximum | Units |
|--------------------------------------|---------|---------|---------|-------|
| Frequency Range                      | DC      |         | 1,000   | MHz   |
| VSWR                                 |         |         | 1.5:1   |       |
| Operating Voltage (AC)               |         |         | 1,500   | Vrms  |
| Dielectric Withstanding Voltage (AC) |         |         | 2,500   | Vrms  |
| Inner Conductor DC Resistance        |         |         | 1       | mOhms |
| Outer Conductor DC Resistance        |         |         | 1       | mOhms |
| Insulation Resistance                | 5,000   |         |         | MOhms |
| RF Leakage                           | 90      |         |         | dB    |

Click the following link (or enter part number in "SEARCH" on website) to obtain additional part information including price, inventory and certifications: [N Male Right Angle Connector Crimp/Solder Attachment for RG55, RG141, RG142, RG223, RG400 PE4484](#)



N Male Right Angle Connector Crimp/Solder Attachment  
for RG55, RG141, RG142, RG223, RG400

RF Connectors Technical Data Sheet

PE4484

**Mechanical Specifications**

|               |                     |
|---------------|---------------------|
| <b>Size</b>   |                     |
| Length        | 1.8 in [45.72 mm]   |
| Width/Dia.    | 1.29 in [32.77 mm]  |
| Weight        | 0.127 lbs [57.61 g] |
| Mating Cycles | 500 Cycles          |

**Material Specifications**

| Description  | Material | Plating                   |
|--------------|----------|---------------------------|
| Contact      | Brass    | Gold<br>30 µin minimum    |
| Insulation   | PTFE     |                           |
| Body         | Brass    | Nickel<br>100 µin minimum |
| Coupling Nut | Brass    | Nickel                    |

**Environmental Specifications**

|                    |                                      |
|--------------------|--------------------------------------|
| <b>Temperature</b> |                                      |
| Operating Range    | -65 to +165 deg C                    |
| Vibration          | MIL-STD-202, Method 204, Condition B |
| Temperature Cycle  | MIL-STD-202, Method 107, Condition B |
| Salt Spray         | MIL-STD-202, Method 101, Condition B |

**Compliance Certifications** (see [product page](#) for current document)

**Plotted and Other Data**

Notes:

Click the following link (or enter part number in "SEARCH" on website) to obtain additional part information including price, inventory and certifications: [N Male Right Angle Connector Crimp/Solder Attachment for RG55, RG141, RG142, RG223, RG400 PE4484](#)



## N Male Right Angle Connector Crimp/Solder Attachment for RG55, RG141, RG142, RG223, RG400

### RF Connectors Technical Data Sheet

PE4484

#### Assembly Instruction

N Male Right Angle Connector Crimp/Solder Attachment for RG55, RG141, RG142, RG223, RG400 from Pasternack Enterprises has same day shipment for domestic and International orders. Our RF, microwave and millimeter wave products maintain a 99.4% availability and are part of the broadest selection in the industry.

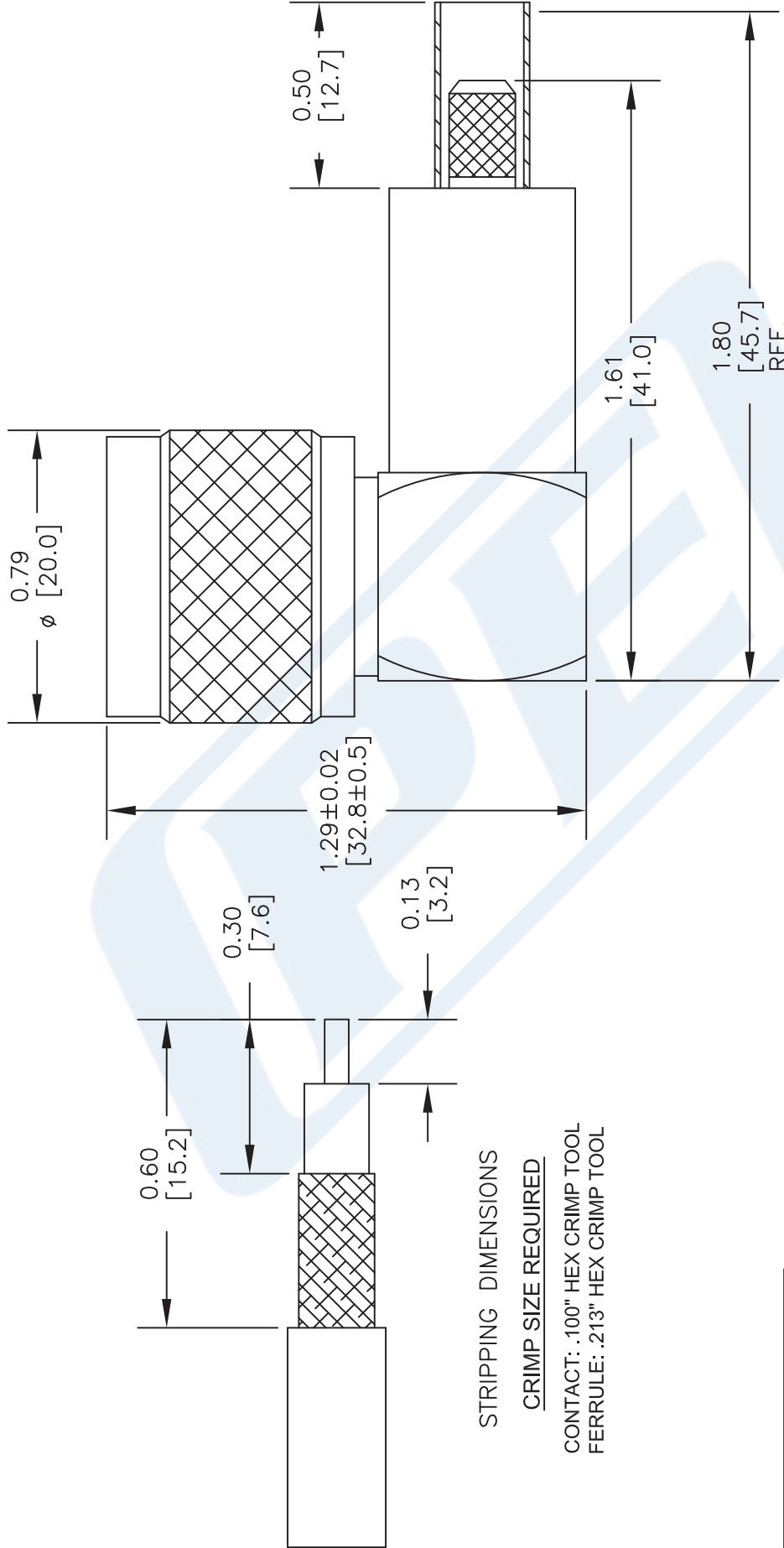
Click the following link (or enter part number in "SEARCH" on website) to obtain additional part information including price, inventory and certifications: [N Male Right Angle Connector Crimp/Solder Attachment for RG55, RG141, RG142, RG223, RG400 PE4484](https://www.pasternack.com/n-male-standard-rg55-rg141-rg142-rg223-rg400-connector-pe4484-p.aspx)

URL: <https://www.pasternack.com/n-male-standard-rg55-rg141-rg142-rg223-rg400-connector-pe4484-p.aspx>

The information contained in this document is accurate to the best of our knowledge and representative of the part described herein. It may be necessary to make modifications to the part and/or the documentation of the part, in order to implement improvements. Pasternack reserves the right to make such changes as required. Unless otherwise stated, all specifications are nominal. Pasternack does not make any representation or warranty regarding the suitability of the part described herein for any particular purpose, and Pasternack does not assume any liability arising out of the use of any part or documentation.

# PE4484 CAD Drawing

N Male Right Angle Connector Crimp/Solder Attachment  
for RG55, RG141, RG142, RG223, RG400



STRIPPING DIMENSIONS  
CRIMP SIZE REQUIRED

CONTACT: .100" HEX CRIMP TOOL  
FERRULE: .213" HEX CRIMP TOOL

### STANDARD TOLERANCES

.X ±0.008  
.XX ±0.004  
.XXX ±0.002

\*STANDARD TOLERANCES APPLY  
ONLY TO DIMENSIONS IN INCHES

DWG TITLE

**PE4484**

NOTES:  
1. UNLESS OTHERWISE SPECIFIED ALL DIMENSIONS ARE NOMINAL.  
2. ALL SPECIFICATIONS ARE SUBJECT TO CHANGE WITHOUT NOTICE AT ANY TIME.  
3. DIMENSIONS ARE IN INCHES [mm].

FSCM NO. 53919

CAD FILE 040416

SCALE N/A

SIZE A

3045

**PE PASTERNAK®**  
THE ENGINEERS' RF SOURCE

Pasternack Enterprises, Inc.  
P.O. Box 16759 | Irvine | CA | 92623  
Phone: (949) 261-1920 | Fax: (949) 261-7451  
Website: www.pasternack.com | E-Mail: sales@pasternack.com



N Male Connector Crimp/Solder Attachment  
For RG223, RG142, RG400, RG55

TECHNICAL DATA SHEET

PE44788

**Configuration**

|  |                           |
|--|---------------------------|
| Connector                                | N Male                    |
| Connector Specification                  | MIL-STD-348A              |
| Connector Interface Type                 | RG223, RG142, RG400, RG55 |
| Cable Attachment Method (Shield/Contact) | Crimp/Solder              |
| Body Style                               | Straight                  |

**Electrical Specifications**

|                                  |          |
|----------------------------------|----------|
| Frequency Range, GHz             | DC to 11 |
| Impedance, Ohms                  | 50       |
| Maximum Operating Voltage, Volts | 1,500    |

**Frequency 1**

|                |         |
|----------------|---------|
| Frequency, GHz | DC to 6 |
| VSWR           | 1.3:1   |

**Mechanical Specifications**

**Temperature**

|                        |             |
|------------------------|-------------|
| Operating Range, deg C | -65 to +165 |
|------------------------|-------------|

**Size**

|                     |              |
|---------------------|--------------|
| Length, in [mm]     | 1.37 [34.8]  |
| Width/Dia., in [mm] | 0.83 [21.08] |
| Weight, lbs [g]     | 0.06 [27.22] |

**Connector**

|                                   |                  |
|-----------------------------------|------------------|
| Type                              | N Male           |
| Contact Material and Plating      | Brass, Gold      |
| Coupling Nut Material and Plating | Brass, Tri-Metal |
| Hex Size, mm                      | 18               |
| Torque, in-lbs [Nm]               | 9 [1.02]         |
| Body Material and Plating         | Brass, Tri-Metal |
| Dielectric Type                   | Teflon           |

**Compliance Certifications** (visit [www.Pasternack.com](http://www.Pasternack.com) for current document)

|                 |            |
|-----------------|------------|
| RoHS Compliant  | Yes        |
| REACH Compliant | 06/18/2012 |

Click the following link (or enter part number in "SEARCH" on website) to obtain additional part information including price, inventory and certifications: [N Male Connector Crimp/Solder Attachment For RG223, RG142, RG400, RG55 PE44788](#)

The information contained in this document is accurate to the best of our knowledge and representative of the part described herein. It may be necessary to make modifications to the part and/or the documentation of the part, in order to implement improvements. Pasternack reserves the right to make such changes as required. Unless otherwise stated, all specifications are nominal.



N Male Connector Crimp/Solder Attachment  
For RG223, RG142, RG400, RG55

TECHNICAL DATA SHEET

PE44788

**Plotted and Other Data**

Notes:

Values at 25 °C, sea level

N Male Connector Crimp/Solder Attachment For RG223, RG142, RG400, RG55 from Pasternack Enterprises has same day shipment for domestic and International orders. Our RF, microwave and fiber optic products maintain a 99% availability and are part of the broadest selection in the industry.

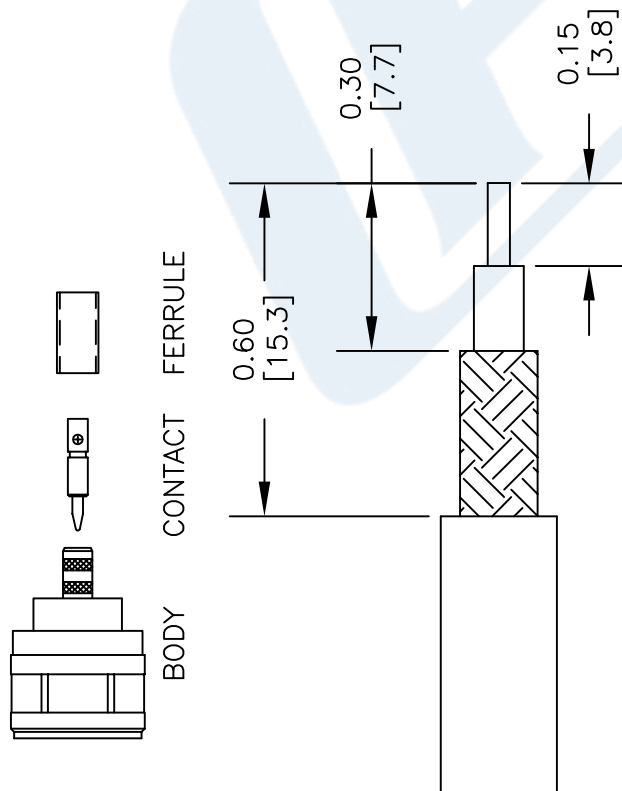
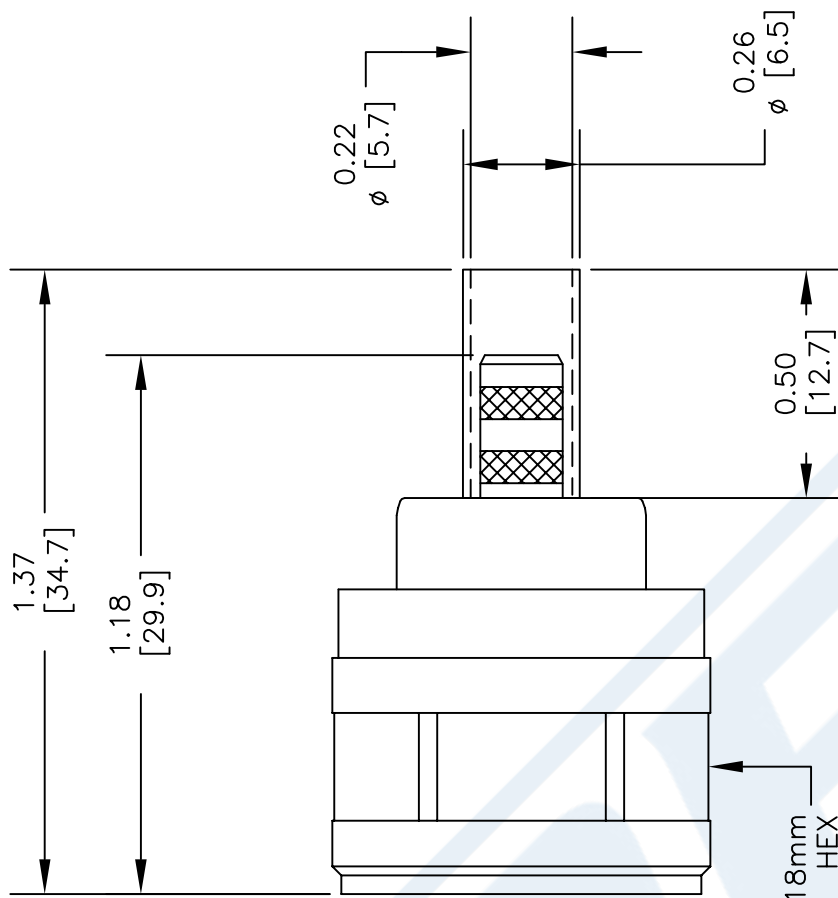
Click the following link (or enter part number in "SEARCH" on website) to obtain additional part information including price, inventory and certifications: [N Male Connector Crimp/Solder Attachment For RG223, RG142, RG400, RG55 PE44788](#)

URL: <http://www.pasternack.com/n-male-standard-rg223-rg142-rg400-rg55-connector-pe44788-p.aspx>

The information contained in this document is accurate to the best of our knowledge and representative of the part described herein. It may be necessary to make modifications to the part and/or the documentation of the part, in order to implement improvements. Pasternack reserves the right to make such changes as required. Unless otherwise stated, all specifications are nominal.

# PE44788 CAD Drawing

N Male Connector Crimp/Solder Attachment For RG223, RG142, RG400, RG55



### CRIMP SIZE REQUIRED

CONTACT: .100" HEX CRIMP TOOL  
 FERRULE: .213" HEX CRIMP TOOL

DWG TITLE

**PE44788**

- NOTES:
1. UNLESS OTHERWISE SPECIFIED ALL DIMENSIONS ARE NOMINAL.
  2. ALL SPECIFICATIONS ARE SUBJECT TO CHANGE WITHOUT NOTICE AT ANY TIME.
  3. DIMENSIONS ARE IN INCHES [mm].
  4. FITS MIL-C-17 AND EQUIVALENT CABLES.

FSCM NO. 53919

CAD FILE 100813

SCALE N/A

SIZE A

150



**PASTERNAK®**  
 Pasternack Enterprises, Inc.  
 P.O. Box 16759 | Irvine | CA | 92623  
 Phone: (949) 261-1920 | Fax: (949) 261-7451  
 Website: www.pasternack.com | E-Mail: sales@pasternack.com


**TECHNICAL DATA SHEET**
**RG142B/U**

Flexible RG142 Coax Cable Double Shielded with Tan FEP Jacket

**Configuration**

|                                      |  |
|--------------------------------------|--|
| Inner Conductor Material and Plating | Copper Clad Steel, Silver                              |
| Dielectric Type                      | PTFE   |
| Shield Materials                     | Silver Plated Copper Braid, Silver Plated Copper Braid |
| Jacket Material and Color            | FEP, Tan   |

**Electrical Specifications**

|                                  |              |
|----------------------------------|--------------|
| Impedance, Ohms                  | 50           |
| Velocity of Propagation, %       | 69.2         |
| Maximum Operating Frequency, GHz | 8            |
| RF Shielding, dB                 | 90           |
| Capacitance, pF/ft [pF/m]        | 29.4 [96.46] |
| Maximum Operating Voltage, Volts | 1,900        |

**Electrical Specifications by Frequency**
**Frequency 1**

|                                 |            |
|---------------------------------|------------|
| Frequency, MHz                  | 100        |
| Attenuation, dB/100ft [dB/100m] | 3.9 [12.8] |

**Frequency 2**

|                                 |            |
|---------------------------------|------------|
| Frequency, MHz                  | 1000       |
| Attenuation, dB/100ft [dB/100m] | 13 [42.65] |

**Frequency 3**

|                                 |              |
|---------------------------------|--------------|
| Frequency, GHz                  | 3            |
| Attenuation, dB/100ft [dB/100m] | 23.8 [78.08] |

**Frequency 4**

|                                 |             |
|---------------------------------|-------------|
| Frequency, GHz                  | 5           |
| Attenuation, dB/100ft [dB/100m] | 36 [118.11] |

**Mechanical Specifications**
**Temperature**

|                        |             |
|------------------------|-------------|
| Operating Range, deg C | -55 to +200 |
|------------------------|-------------|

**Inner Conductor**

|                   |                   |
|-------------------|-------------------|
| Number of Strands | 1                 |
| Material          | Copper Clad Steel |
| Plating           | Silver            |
| Diameter, in [mm] | 0.037 [0.94]      |

Click the following link (or enter part number in "SEARCH" on website) to obtain additional part information including price, inventory and certifications: [Flexible RG142 Coax Cable Double Shielded with Tan FEP Jacket RG142B/U](#)

The information contained in this document is accurate to the best of our knowledge and representative of the part described herein. It may be necessary to make modifications to the part and/or the documentation of the part, in order to implement improvements. Pasternack reserves the right to make such changes as required. Unless otherwise stated, all specifications are nominal.



# TECHNICAL DATA SHEET RG142B/U

**Dielectric:**

|                   |              |
|-------------------|--------------|
| Type              | PTFE         |
| Diameter, in [mm] | 0.116 [2.95] |

**Shield:**

|                   |                            |
|-------------------|----------------------------|
| Number of         | 2                          |
| Material 1        | Silver Plated Copper Braid |
| Material 2        | Silver Plated Copper Braid |
| Diameter, in [mm] | 0.156 [3.96]               |

**Jacket:**

|                                       |               |
|---------------------------------------|---------------|
| Material                              | FEP           |
| Diameter, in [mm]                     | 0.195 [4.95]  |
| Color                                 | Tan           |
| One Time Minimum Bend Radius, in [mm] | 0.984 [24.99] |
| Repeated Minimum Bend Radius, in [mm] | 2 [50.8]      |
| Weight, lbs/ft [Kg/m]                 | 0.046 [0.07]  |

**Compliance Certifications** (visit [www.Pasternack.com](http://www.Pasternack.com) for current document)

|                |     |
|----------------|-----|
| RoHS Compliant | Yes |
|----------------|-----|

**Plotted and Other Data**

|        |                            |
|--------|----------------------------|
| Notes: | Values at 25 °C, sea level |
|--------|----------------------------|

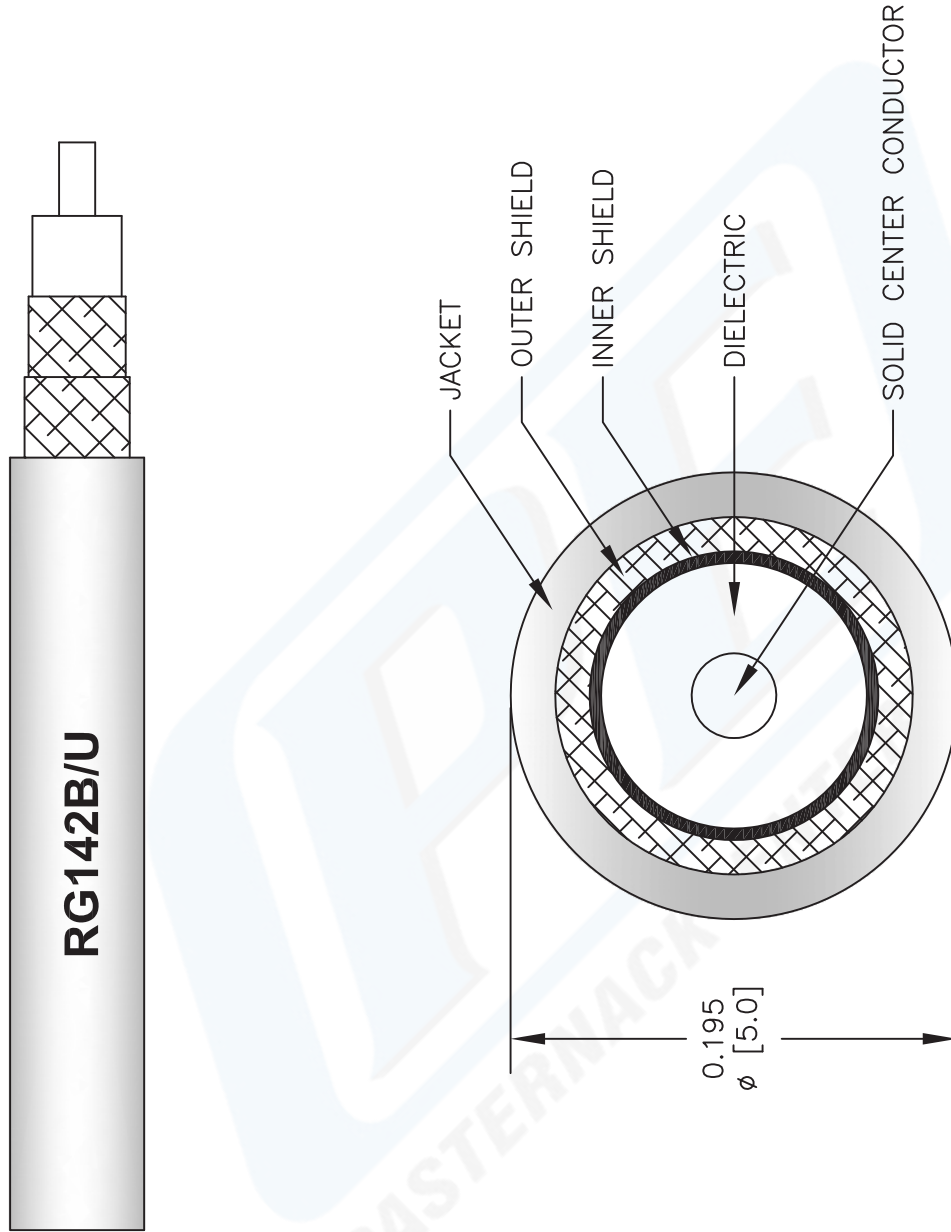
URL: <http://www.pasternack.com/flexible-0.195-rg142-50-ohm-coax-cable-fep-jacket-rg142b-u-p.aspx>

Flexible RG142 Coax Cable Double Shielded with Tan FEP Jacket from Pasternack Enterprises has same day shipment for domestic and International orders. Our RF, microwave and fiber optic products maintain a 99% availability and are part of the broadest selection in the industry.

The information contained in this document is accurate to the best of our knowledge and representative of the part described herein. It may be necessary to make modifications to the part and/or the documentation of the part, in order to implement improvements. Pasternack reserves the right to make such changes as required. Unless otherwise stated, all specifications are nominal.

# RG142B/U CAD Drawing

Flexible RG142 Coax Cable Double Shielded with Tan FEP Jacket



NOTES:  
 1. UNLESS OTHERWISE SPECIFIED ALL DIMENSIONS ARE NOMINAL.  
 2. ALL SPECIFICATIONS ARE SUBJECT TO CHANGE WITHOUT NOTICE AT ANY TIME.  
 3. DIMENSIONS ARE IN INCHES [mm].

|                |  |          |     |       |      |
|----------------|--|----------|-----|-------|------|
| DWG TITLE      |  | CAD FILE |     | SCALE | SIZE |
| RG142B/U       |  | 022808-A | N/A | A     | 2233 |
| FSCM NO. 53919 |  |          |     |       |      |

**PE PASTERNAK®**  
 Pasternack Enterprises, Inc.  
 P.O. Box 16759 | Irvine | CA | 92623  
**Phone:** (949) 261-1920 | **Fax:** (949) 261-7451  
**Website:** www.pasternack.com | **E-Mail:** sales@pasternack.com