



N Male Low PIM Connector Clamp/Non-Solder Contact Attachment for PE-1/2FAC, 1/2 inch Flexible, 1/2 inch Annular, IP67 Rated

RF Connectors Technical Data Sheet

PE44735

Configuration

- N Male Connector
- IEC 60169-16
- 50 Ohms
- Straight Body Geometry
- PE-1/2FAC, 1/2 inch Flexible, 1/2 inch Annular Inter-face Type
- Clamp/Non-Solder Contact Attachment
- 19 mm Hex
- Low PIM Design

Features

- Max. Operating Frequency 3 GHz
- Excellent VSWR of 1.1:1
- PIM levels lower than -160 dBc
- Silver Plated Spring Copper Contact
- 5 μ m minimum contact plating
- IP67 Rated

Applications

- General Purpose Test
- Custom Cable Assemblies
- Wireless Communications
- Low PIM Applications

Description

Pasternack's PE44735 type N male low PIM connector with clamp/non-solder contact attachment for PE-1/2FAC, 1/2 inch Flexible and 1/2 inch Annular is part of our full line of RF components available for same-day shipping. Our type N male connector operates up to a maximum frequency of 3 GHz and offers excellent VSWR of 1.1:1. The type N male connector also has low passive intermodulation of -160 dBc. The connector has an IP67 rating to protect against dust and temporary moisture protection under immersion conditions.

Our type N male connector PE44735 datasheet specifications and drawing with dimensions are shown below in this PDF. Pasternack's broad catalog of RF, microwave and millimeter wave connectors allows designers to configure and customize their signal connections however they like. Whether the need is to provide an I/O for a board design, or simply create a custom cable assembly configuration, Pasternack has the right connector for the job. Pasternack can also expertly build your custom cable assemblies for you and ship same-day.

Electrical Specifications

| Description | Minimum | Typical | Maximum | Units |
|--|---------|---------|---------|-------|
| Frequency Range | DC | | 3 | GHz |
| VSWR | | | 1.1:1 | |
| Insertion Loss | | | 0.1 | dB |
| Passive Intermodulation using 2x20W tones | | | -160 | dBc |
| Operating Voltage (DC) | | | 1,700 | Vdc |
| Dielectric Withstanding Voltage (DC) | | | 2,500 | Vdc |
| Insulation Resistance | 5,000 | | | MOhms |

Click the following link (or enter part number in "SEARCH" on website) to obtain additional part information including price, inventory and certifications: [N Male Low PIM Connector Clamp/Non-Solder Contact Attachment for PE-1/2FAC, 1/2 inch Flexible, 1/2 inch Annular, IP67 Rated PE44735](#)



N Male Low PIM Connector Clamp/Non-Solder
Contact Attachment for PE-1/2FAC, 1/2 inch
Flexible, 1/2 inch Annular, IP67 Rated

RF Connectors Technical Data Sheet

PE44735

Mechanical Specifications

Size

Length 2.41 in [61.21 mm]
Width/Dia. 0.85 in [21.59 mm]
Weight 0.223 lbs [101.15 g]

Material Specifications

| Description | Material | Plating |
|-----------------|---------------|---------------------------|
| Contact | Spring Copper | Silver 5 µm minimum |
| Insulation | PTFE | |
| Outer Conductor | Brass | Nickel 5 µm minimum |
| Body | Brass | Tri-Metal 2 µm minimum |
| Coupling Nut | Brass | Nickel 5 µm minimum |

Environmental Specifications

Temperature

Operating Range -40 to +85 deg C
Ingress Protection (IP) Rating IP67 Rated
Shock IEC 60068-2-27
Vibration IEC 60068-2-6-Fc
Thermal Shock IEC 60068-2-14-Na

Click the following link (or enter part number in "SEARCH" on website) to obtain additional part information including price, inventory and certifications: [N Male Low PIM Connector Clamp/Non-Solder Contact Attachment for PE-1/2FAC, 1/2 inch Flexible, 1/2 inch Annular, IP67 Rated PE44735](#)



N Male Low PIM Connector Clamp/Non-Solder
Contact Attachment for PE-1/2FAC, 1/2 inch
Flexible, 1/2 inch Annular, IP67 Rated

RF Connectors Technical Data Sheet

PE44735

Compliance Certifications (see [product page](#) for current document)

Plotted and Other Data

Notes:

N Male Low PIM Connector Clamp/Non-Solder Contact Attachment for PE-1/2FAC, 1/2 inch Flexible, 1/2 inch Annular, IP67 Rated from Pasternack Enterprises has same day shipment for domestic and International orders. Our RF, microwave and millimeter wave products maintain a 99% availability and are part of the broadest selection in the industry.

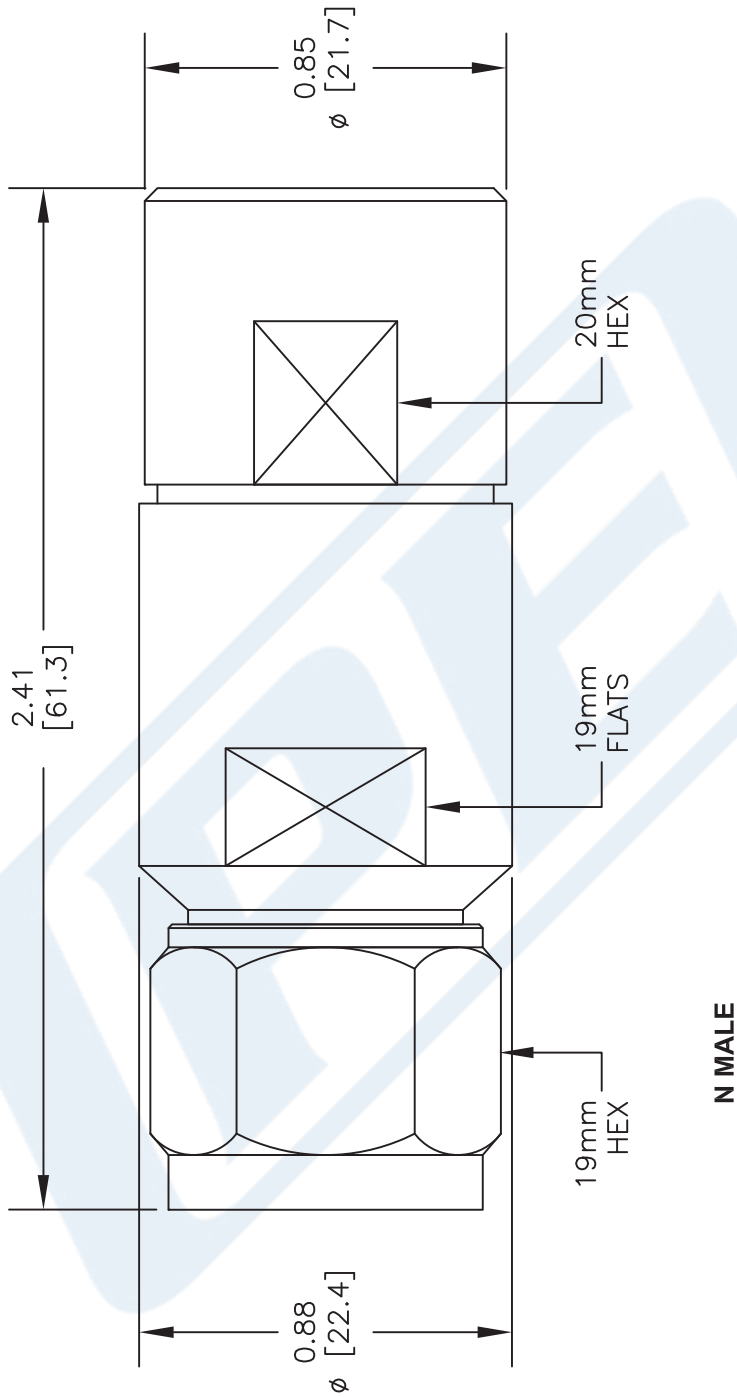
Click the following link (or enter part number in "SEARCH" on website) to obtain additional part information including price, inventory and certifications: [N Male Low PIM Connector Clamp/Non-Solder Contact Attachment for PE-1/2FAC, 1/2 inch Flexible, 1/2 inch Annular, IP67 Rated PE44735](#)

URL: <https://www.pasternack.com/n-male-standard-1-2-inch-flexible-pe-1-2sfhc-connector-pe44735-p.aspx>

The information contained in this document is accurate to the best of our knowledge and representative of the part described herein. It may be necessary to make modifications to the part and/or the documentation of the part, in order to implement improvements. Pasternack reserves the right to make such changes as required. Unless otherwise stated, all specifications are nominal. Pasternack does not make any representation or warranty regarding the suitability of the part described herein for any particular purpose, and Pasternack does not assume any liability arising out of the use of any part or documentation.

PE44735 CAD Drawing

N Male Low PIM Connector Clamp/Non-Solder Contact Attachment
for PE-1/2FAC, 1/2 inch Flexible, 1/2 inch Annular, IP67 Rated



N MALE

DWG TITLE

PE44735

NOTES:
1. UNLESS OTHERWISE SPECIFIED ALL DIMENSIONS ARE NOMINAL.
2. ALL SPECIFICATIONS ARE SUBJECT TO CHANGE WITHOUT NOTICE AT ANY TIME.
3. DIMENSIONS ARE IN INCHES [mm].

PASTERNAK ENTERPRISES, INC.

P.O. BOX 16759, IRVINE, CA 92623
PHONE (949) 261-1920 FAX (949) 261-7451

WEB ADDRESS: www.pasternack.com
E-MAIL ADDRESS: sales@pasternack.com

COAXIAL & FIBER OPTICS



ESTABLISHED 1972

REV. -

FSCM NO. 53919

DATE 08/14/12

SCALE N/A

SIZE A

2233



N Male Right Angle Connector Clamp/Solder Attachment
for 1/2 inch Annular, 1/2 inch Flexible, PE-1/2FAC

RF Connectors Technical Data Sheet

PE45358

Configuration

- N Male Connector
 - 50 Ohms
 - Right Angle Body Geometry
 - 1/2 inch Annular, 1/2 inch Flexible, PE-1/2FAC Interface
- Type
- Clamp/Solder Attachment
 - 3/4 in Hex

Features

- Silver Plated Brass Contact

Applications

- General Purpose Test
- Custom Cable Assemblies

Description

Pasternack's PE45358 type N male right angle connector with clamp/solder attachment for 1/2 inch Annular, 1/2 inch Flexible and PE-1/2FAC is part of our full line of RF components available for same-day shipping. Its right angle body geometry allows for easier connections in tight spaces.

Our type N male right angle connector PE45358 datasheet specifications and drawing with dimensions are shown below in this PDF. Pasternack's broad catalog of RF, microwave and millimeter wave connectors allows designers to configure and customize their signal connections however they like. Whether the need is to provide an I/O for a board design, or simply create a custom cable assembly configuration, Pasternack has the right connector for the job. Pasternack can also expertly build your custom cable assemblies for you and ship same-day.

Mechanical Specifications

Size

- Length 2.63 in [66.8 mm]
- Width/Dia. 0.867 in [22.02 mm]
- Height 1.734 in [44.04 mm]
- Weight 0.327 lbs [148.32 g]

Material Specifications

| Description | Material | Plating |
|--------------|-----------------|-----------|
| Contact | Brass | Silver |
| Insulation | Teflon | |
| Body | Brass | Tri-Metal |
| Coupling Nut | Brass | Tri-Metal |
| O-Ring | Silicone Rubber | |

Click the following link (or enter part number in "SEARCH" on website) to obtain additional part information including price, inventory and certifications: [N Male Right Angle Connector Clamp/Solder Attachment for 1/2 inch Annular, 1/2 inch Flexible, PE-1/2FAC PE45358](#)



N Male Right Angle Connector Clamp/Solder Attachment
for 1/2 inch Annular, 1/2 inch Flexible, PE-1/2FAC

RF Connectors Technical Data Sheet

PE45358

Environmental Specifications

Temperature

Operating Range

-65 to +165 deg C

Compliance Certifications (see [product page](#) for current document)

Plotted and Other Data

Notes:

N Male Right Angle Connector Clamp/Solder Attachment for 1/2 inch Annular, 1/2 inch Flexible, PE-1/2FAC from Pasternack Enterprises has same day shipment for domestic and international orders. Our RF, microwave and millimeter wave products maintain a 99.4% availability and are part of the broadest selection in the industry.

Click the following link (or enter part number in "SEARCH" on website) to obtain additional part information including price, inventory and certifications: [N Male Right Angle Connector Clamp/Solder Attachment for 1/2 inch Annular, 1/2 inch Flexible, PE-1/2FAC PE45358](#)

URL:

The information contained in this document is accurate to the best of our knowledge and representative of the part described herein. It may be necessary to make modifications to the part and/or the documentation of the part, in order to implement improvements. Pasternack reserves the right to make such changes as required. Unless otherwise stated, all specifications are nominal. Pasternack does not make any representation or warranty regarding the suitability of the part described herein for any particular purpose, and Pasternack does not assume any liability arising out of the use of any part or documentation.

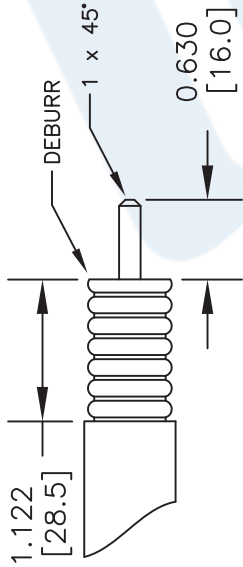
PE45358 CAD Drawing

N Male Right Angle Connector Clamp/Solder Attachment for
1/2 inch Annular, 1/2 inch Flexible, PE-1/2FAC



ASSEMBLY PROCEDURES

1. STRIP CABLE AS SHOWN, CHAMFER CENTER CONDUCTOR & DEBURR CABLE. SLIDE HEAT SHRINK OVER CABLE.



2. GREASE O-RING INSIDE OF CLAMP NUT. INSTALL CLAMP NUT ONTO CABLE.



3. FLARE THE OUTER CONDUCTOR, SEPARATING THE OUTER CONDUCTOR FROM THE INSULATOR.



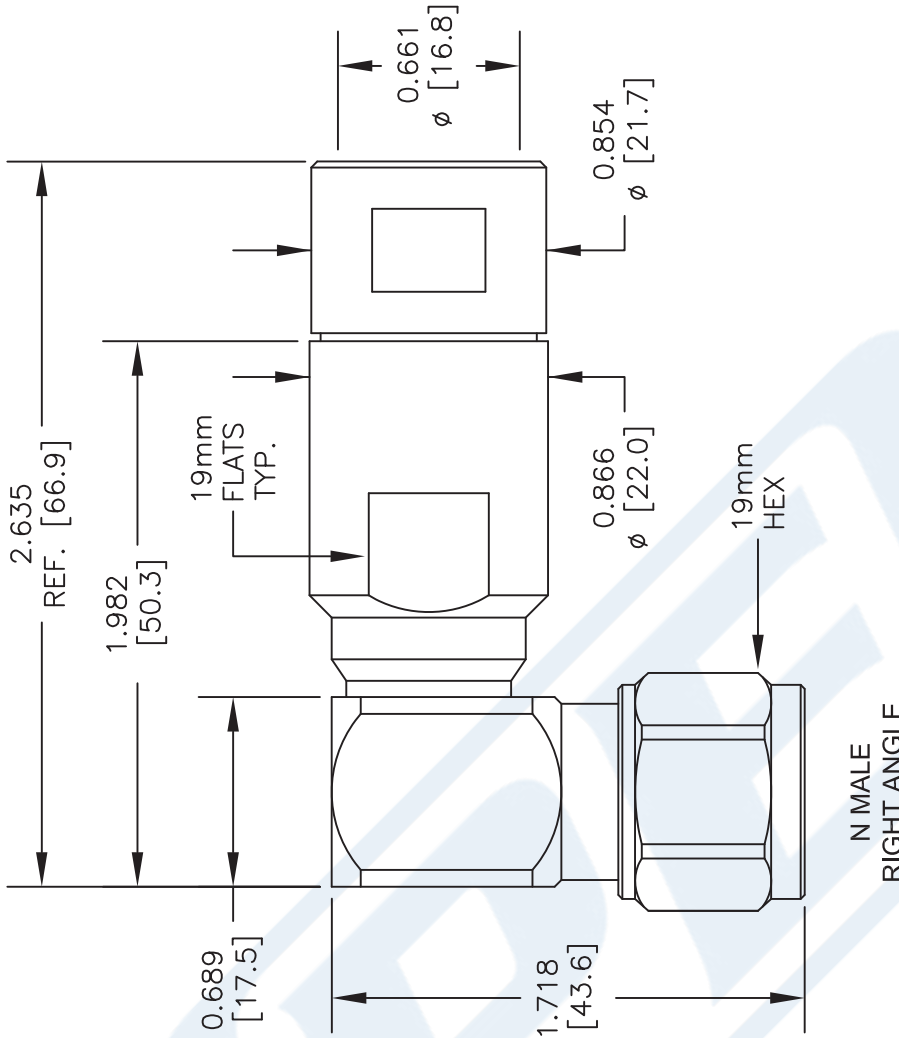
4. SLIDE O-RING OVER THREAD AND SEAT INTO PLACE. GREASE O-RING.



5. HOLD CLAMP NUT STEADY & SCREW BODY TIGHTLY ONTO CABLE.



6. HEAT THE SHRINK TUBING UNTIL IT MOLDS OVER THE CABLE, AS SHOWN BELOW.



| STANDARD TOLERANCES | |
|---------------------|-------|
| .X | ±0.2 |
| .XX | ±0.1 |
| .XXX | ±0.05 |

*STANDARD TOLERANCES APPLY ONLY TO DIMENSIONS IN INCHES

DWG TITLE

PE45358

NOTES:
1. UNLESS OTHERWISE SPECIFIED ALL DIMENSIONS ARE NOMINAL.
2. ALL SPECIFICATIONS ARE SUBJECT TO CHANGE WITHOUT NOTICE AT ANY TIME.
3. DIMENSIONS ARE IN INCHES [mm].

PE PASTERNAK
THE ENGINEER'S RF SOURCE
Pasternack Enterprises, Inc.
P.O. Box 16759 | Irvine | CA | 92623
Phone: (949) 261-1920 | Fax: (949) 261-7451
Website: www.pasternack.com | E-Mail: sales@pasternack.com

CAGE CODE 53919

CAD FILE 020717

SCALE N/A

SIZE A

2233



Low Loss 1/2 Flexible Annular Corrugated Coax Cable with Black PE Jacket

RF Cables Technical Data Sheet

PE-1/2FAC

Configuration

- Low Loss Corrugated Cable
- 1 Shield(s)

Features

- Low Passive Intermodulation
- Solid copper outer conductor provides the highest possible RF shielding
- Flexible annularly corrugated copper outer conductor
- enables a small bending radius
- Excellent return loss performance
- Highly Foamed dielectric provides low attenuation

Description

Our corrugated cables and Low PIM connector combinations result in cable assemblies with excellent Passive Intermodulation performance. Solid copper outer conductors provide the highest possible RF shielding. This Flexible cable features excellent return loss performance. The highly foamed dielectric and optimized dimensions of these cables result in excellent low attenuation values. The flexible annularly corrugated copper outer conductor allows for a small bending radius.

Electrical Specifications

| Description | Minimum | Typical | Maximum | Units |
|--------------------------------------|---------|--------------|---------|--------------|
| Frequency Range | DC | | 8.8 | GHz |
| Cutoff Frequency | | 10 | | GHz |
| Impedance | | 50 | | Ohms |
| Velocity of Propagation | | 88 | | % |
| Shielding Effectiveness | 120 | | | dB |
| Dielectric Withstanding Voltage (DC) | | | 1,590 | Vdc |
| Jacket Spark | | | 2,000 | Vrms |
| Inner Conductor DC Resistance | | | 0.49 | Ohms/1000ft |
| Outer Conductor DC Resistance | | | 0.73 | Ohms/1000ft |
| Nominal Capacitance | | 23.2 [76.12] | | pF/ft [pF/m] |

Click the following link (or enter part number in "SEARCH" on website) to obtain additional part information including price, inventory and certifications: [Low Loss 1/2 Flexible Annular Corrugated Coax Cable with Black PE Jacket PE-1/2FAC](#)



Low Loss 1/2 Flexible Annular Corrugated Coax Cable with Black PE Jacket

RF Cables Technical Data Sheet

PE-1/2FAC

Performance by Frequency Band

| Description | F1 | F2 | F3 | F4 | F5 | Units |
|-----------------------|-------|-------|-------|-------|------|----------|
| Frequency | 0.1 | 0.45 | 0.8 | 1 | 1.8 | GHz |
| Attenuation, Typ | 0.6 | 1.4 | 1.9 | 2.2 | 3 | dB/100ft |
| | 1.97 | 4.59 | 6.23 | 7.22 | 9.84 | dB/100m |
| Input Power (CW), Max | 3,920 | 1,760 | 1,280 | 1,120 | 810 | Watts |

| Description | F6 | F7 | F8 | F9 | F10 | Units |
|-----------------------|-------|-------|-------|-------|-----|----------|
| Frequency | 2.2 | 2.5 | 2.7 | 3 | | GHz |
| Attenuation, Typ | 3.4 | 3.7 | 3.8 | 4 | | dB/100ft |
| | 11.15 | 12.14 | 12.47 | 13.12 | | dB/100m |
| Input Power (CW), Max | 720 | 660 | 630 | 590 | | Watts |

Mechanical Specifications

| | |
|---------------------------------|--------------------------|
| Diameter | 0.629 in [15.98 mm] |
| Weight | 0.154 lbs/ft [0.23 Kg/m] |
| Number of Bends, Min | 15 |
| Min. Bend Radius (Installation) | 2.75 in [69.85 mm] |
| Min. Bend Radius (Repeated) | 4.72 in [119.89 mm] |
| Tensile Strength | 270 lbs [122.47 Kg] |

Construction Specifications

| Description | Material and Plating | Diameter |
|-----------------|---------------------------------|---------------------|
| Inner Conductor | Copper Clad Aluminum, 1 Strands | 0.189 in [4.8 mm] |
| Conductor Type | Solid | |
| Dielectric | PE (F) | 0.476 in [12.09 mm] |
| First Shield | Annular Corrugated Copper Tube | |
| Jacket | PE, Black | 0.629 in [15.98 mm] |

Click the following link (or enter part number in "SEARCH" on website) to obtain additional part information including price, inventory and certifications: [Low Loss 1/2 Flexible Annular Corrugated Coax Cable with Black PE Jacket PE-1/2FAC](#)



Low Loss 1/2 Flexible Annular Corrugated Coax Cable with Black PE Jacket

RF Cables Technical Data Sheet

PE-1/2FAC

Environmental Specifications

Temperature

Operating Range

-55 to +85 deg C

Compliance Certifications (see [product page](#) for current document)

Plotted and Other Data

Notes:

Low Loss 1/2 Flexible Annular Corrugated Coax Cable with Black PE Jacket from Pasternack Enterprises has same day shipment for domestic and International orders. Our RF, microwave and millimeter wave products maintain a 99.4% availability and are part of the broadest selection in the industry.

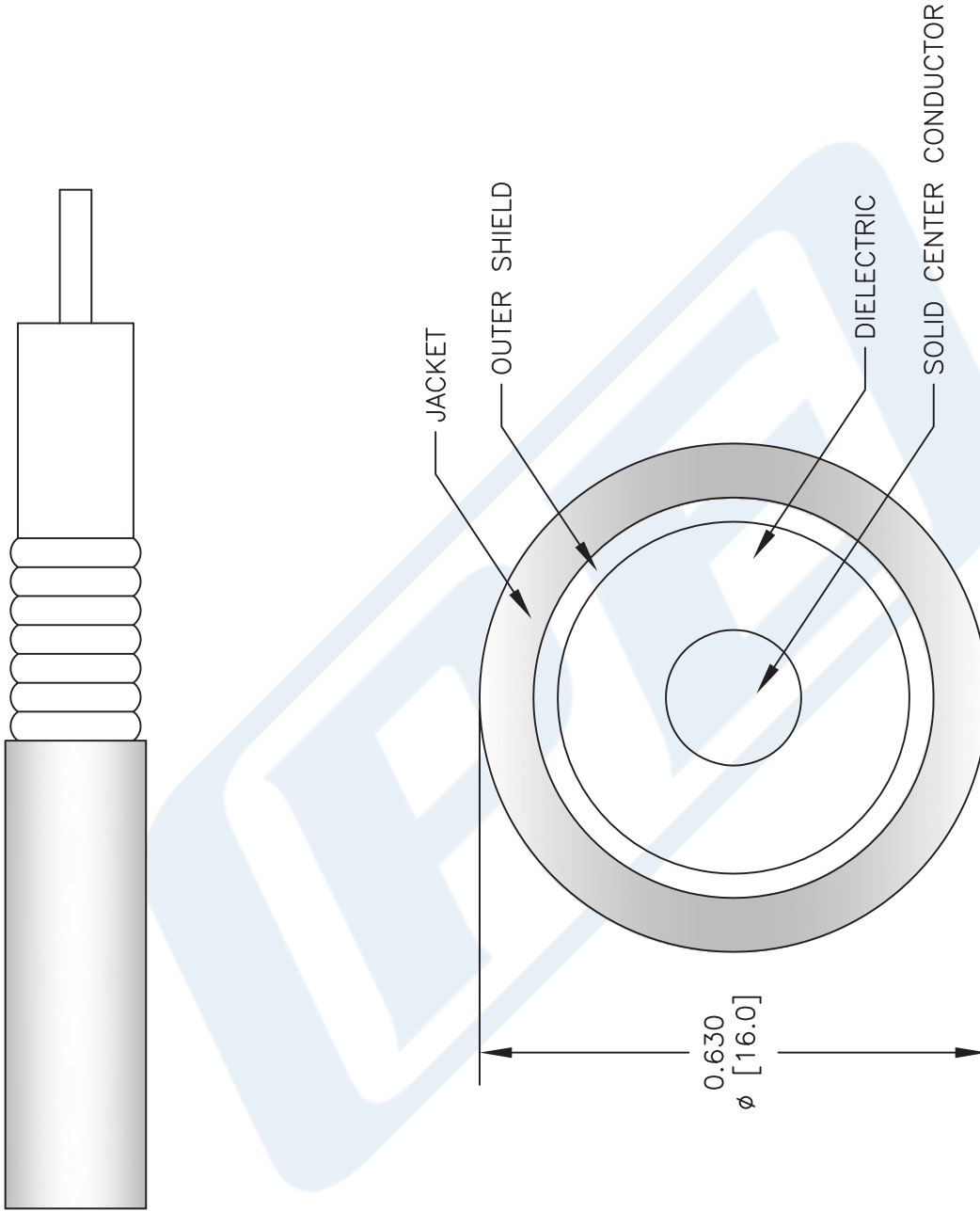
Click the following link (or enter part number in "SEARCH" on website) to obtain additional part information including price, inventory and certifications: [Low Loss 1/2 Flexible Annular Corrugated Coax Cable with Black PE Jacket PE-1/2FAC](#)

URL: <https://www.pasternack.com/50-ohm-low-loss-corrugated-1-2-flexible-annular-coax-pe-1-2fac-p.aspx>

The information contained in this document is accurate to the best of our knowledge and representative of the part described herein. It may be necessary to make modifications to the part and/or the documentation of the part, in order to implement improvements. Pasternack reserves the right to make such changes as required. Unless otherwise stated, all specifications are nominal. Pasternack does not make any representation or warranty regarding the suitability of the part described herein for any particular purpose, and Pasternack does not assume any liability arising out of the use of any part or documentation.

PE-1/2FAC CAD Drawing

Low Loss 1/2 Flexible Annular Corrugated Coax Cable with Black PE Jacket



NOTES:
 1. UNLESS OTHERWISE SPECIFIED ALL DIMENSIONS ARE NOMINAL.
 2. ALL SPECIFICATIONS ARE SUBJECT TO CHANGE WITHOUT NOTICE AT ANY TIME.
 3. DIMENSIONS ARE IN INCHES [mm].

DWG TITLE
PE-1/2FAC

FSCM NO. 53919

CAD FILE 092112

SCALE N/A

SIZE A

2233

(PE) PASTERNAK®
 Pasternack Enterprises, Inc.
 P.O. Box 16759 | Irvine | CA | 92623
 Phone: (949) 261-1920 | Fax: (949) 261-7451
 Website: www.pasternack.com | E-Mail: sales@pasternack.com