



## SMA Male Connector Clamp/Solder Attachment for PE-P160LL

### RF Connectors Technical Data Sheet

PE45440

#### Configuration

- SMA Male Connector
- 50 Ohms
- Straight Body Geometry
- PE-P160LL Interface Type
- Clamp/Solder Attachment

#### Features

- Max. Operating Frequency 18 GHz
- Excellent VSWR of 1.16:1
- Gold Plated Beryllium Copper Contact
- Contact plating according to ASTM-B488

#### Applications

- General Purpose Test
- Custom Cable Assemblies

#### Description

Pasternack's PE45440 SMA male connector with clamp/solder attachment for PE-P160LL is part of our full line of RF components available for same-day shipping. Our SMA male connector operates up to a maximum frequency of 18 GHz and offers excellent VSWR of 1.16:1.

Our SMA male connector PE45440 datasheet specifications and drawing with dimensions are shown below in this PDF. Pasternack's broad catalog of RF, microwave and millimeter wave connectors allows designers to configure and customize their signal connections however they like. Whether the need is to provide an I/O for a board design, or simply create a custom cable assembly configuration, Pasternack has the right connector for the job. Pasternack can also expertly build your custom cable assemblies for you and ship same-day.

#### Electrical Specifications

Description	Minimum	Typical	Maximum	Units
Frequency Range	DC		18	GHz
VSWR			1.16:1	
Dielectric Withstanding Voltage (AC)			1,000	Vrms

Electrical Specification Notes:  
 Insertion Loss is  $0.04 \cdot \sqrt{\text{Freq GHz}}$

Click the following link (or enter part number in "SEARCH" on website) to obtain additional part information including price, inventory and certifications: [SMA Male Connector Clamp/Solder Attachment for PE-P160LL PE45440](#)



SMA Male Connector Clamp/Solder Attachment for PE-P160LL

RF Connectors Technical Data Sheet

PE45440

**Material Specifications**

Description	Material	Plating
Contact	Beryllium Copper	Gold ASTM-B488
Insulation	PTFE	
Body	Passivated Stainless Steel	
Coupling Nut	Passivated Stainless Steel	
Gasket	Silicone Rubber	
Crimp Sleeve	Brass	Gold ASTM-B488
O-Ring	Silicone Rubber	

**Environmental Specifications**

**Temperature**

Operating Range -65 to +165 deg C

**Compliance Certifications** (see [product page](#) for current document)

**Plotted and Other Data**

Notes:

Click the following link (or enter part number in "SEARCH" on website) to obtain additional part information including price, inventory and certifications: [SMA Male Connector Clamp/Solder Attachment for PE-P160LL PE45440](#)



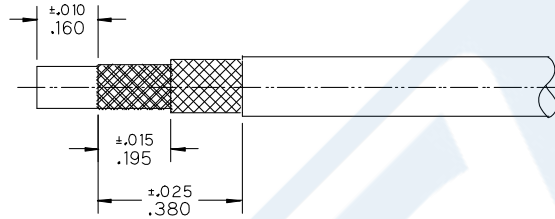
SMA Male Connector Clamp/Solder Attachment for PE-P160LL

RF Connectors Technical Data Sheet

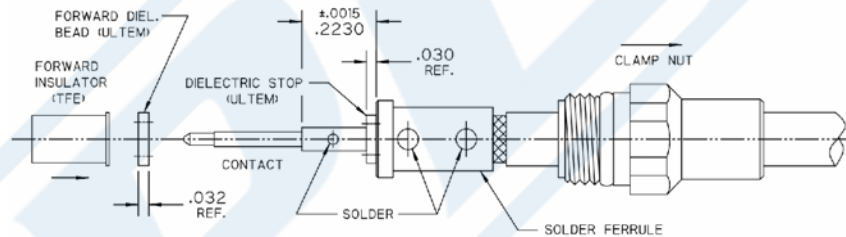
PE45440

**Assembly Instruction**

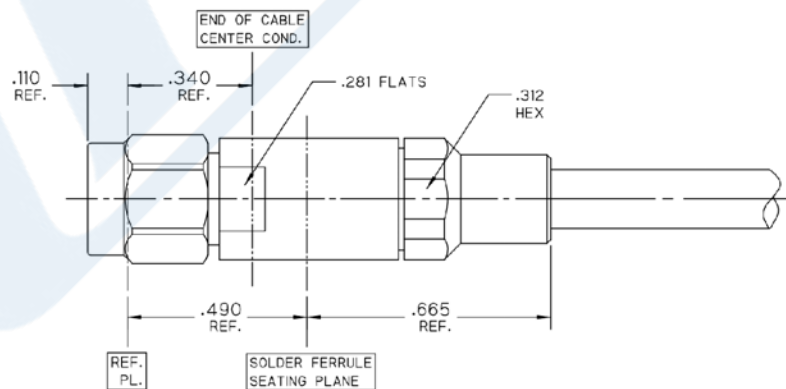
1. TRIM CABLE TO EXPOSE DIELECTRIC AND BRAIDS AS SHOWN.



2.
  - A. SLIDE CLAMP NUT OVER CABLE AS SHOWN.
  - B. INSERT CABLE INTO SOLDER FERRULE UNTIL INNER BRAID SEATS THEN SOLDER CABLE BRAIDS WHERE SHOWN.
  - C. TRIM CABLE DIELECTRIC FLUSH WITH FACE OF SOLDER FERRULE.
  - D. SLIDE DIELECTRIC STOP (Ø .144 OD) OVER CABLE CENTER CONDUCTOR AND SOLDER CONTACT FLUSH TO STOP TO DIMENSION SHOWN.
  - E. SLIDE FORWARD INSULATOR & DIELECTRIC BEAD (Ø .158 OD) ONTO CONTACT.



3. INSERT CABLE/CONTACT SUB-ASSEMBLY INTO CONNECTOR UNTIL SEATED AND TIGHTEN CLAMP NUT TO 25-35 IN-LBS.



Click the following link (or enter part number in "SEARCH" on website) to obtain additional part information including price, inventory and certifications: [SMA Male Connector Clamp/Solder Attachment for PE-P160LL PE45440](#)



## SMA Male Connector Clamp/Solder Attachment for PE-P160LL

### RF Connectors Technical Data Sheet

PE45440

SMA Male Connector Clamp/Solder Attachment for PE-P160LL from Pasternack Enterprises has same day shipment for domestic and International orders. Our RF, microwave and millimeter wave products maintain a 99.4% availability and are part of the broadest selection in the industry.

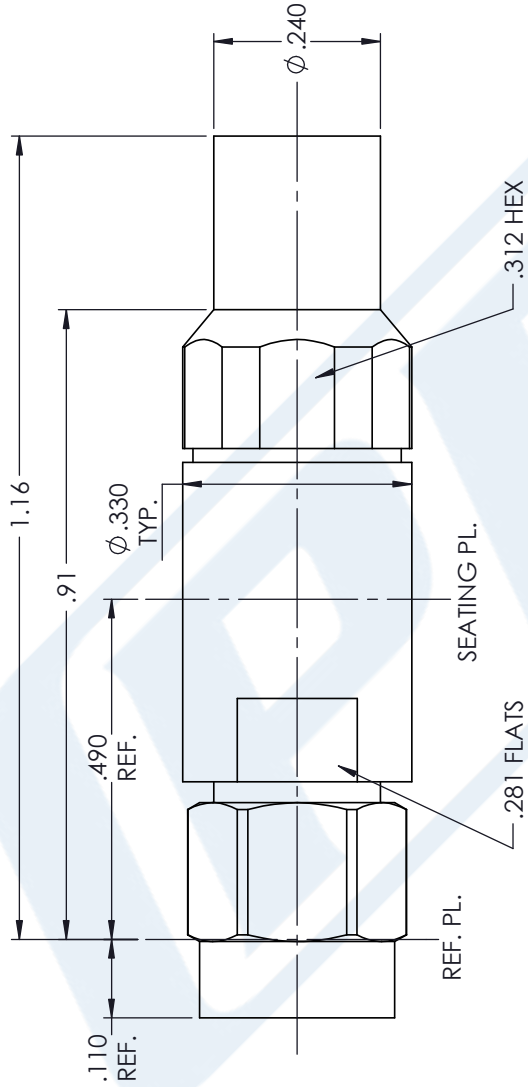
Click the following link (or enter part number in "SEARCH" on website) to obtain additional part information including price, inventory and certifications: [SMA Male Connector Clamp/Solder Attachment for PE-P160LL PE45440](https://www.pasternack.com/sma-male-pe-p160ll-connector-pe45440-p.aspx)

URL: <https://www.pasternack.com/sma-male-pe-p160ll-connector-pe45440-p.aspx>

The information contained in this document is accurate to the best of our knowledge and representative of the part described herein. It may be necessary to make modifications to the part and/or the documentation of the part, in order to implement improvements. Pasternack reserves the right to make such changes as required. Unless otherwise stated, all specifications are nominal. Pasternack does not make any representation or warranty regarding the suitability of the part described herein for any particular purpose, and Pasternack does not assume any liability arising out of the use of any part or documentation.

# PE45440 CAD Drawing

SMA Male Connector Clamp/Solder Attachment for PE-P160LL



**STANDARD TOLERANCES**

- .X ±0.2
- .XX ±0.01
- .XXX ±0.005

\*STANDARD TOLERANCES APPLY ONLY TO DIMENSIONS IN INCHES



Pasternack Enterprises, Inc.  
 P.O. Box 16759 | Irvine | CA | 92623  
**Phone:** (949) 261-1920 | **Fax:** (949) 261-7451  
**Website:** www.pasternack.com | **E-Mail:** sales@pasternack.com

DWG TITLE

PE45440

**CAGE CODE 53919**

**NOTES:**  
 1. UNLESS OTHERWISE SPECIFIED ALL DIMENSIONS ARE NOMINAL.  
 2. ALL SPECIFICATIONS ARE SUBJECT TO CHANGE WITHOUT NOTICE AT ANY TIME.  
 3. DIMENSIONS ARE IN INCHES [mm].

CAD FILE 01/08/18

SCALE N/A

SIZE A

GF0006



## TNC Male Connector Clamp/Solder Attachment for PE-P160LL

### RF Connectors Technical Data Sheet

PE45443

#### Configuration

- TNC Male Connector
- 50 Ohms
- Straight Body Geometry
- Connector Interface Types: PE-P160LL

#### Features

- Max. Operating Frequency 18 GHz
- Excellent VSWR of 1.16:1
- Gold Plated Beryllium Copper Contact
- Contact plating according to ASTM-B488

#### Applications

- General Purpose Test
- Custom Cable Assemblies

#### Description

Pasternack's PE45443 TNC male connector with clamp/solder attachment for PE-P160LL is part of our full line of RF components available for same-day shipping. Our TNC male connector operates up to a maximum frequency of 18 GHz and offers excellent VSWR of 1.16:1.

Our TNC male connector PE45443 datasheet specifications and drawing with dimensions are shown below in this PDF. Pasternack's broad catalog of RF, microwave and millimeter wave connectors allows designers to configure and customize their signal connections however they like. Whether the need is to provide an I/O for a board design, or simply create a custom cable assembly configuration, Pasternack has the right connector for the job. Pasternack can also expertly build your custom cable assemblies for you and ship same-day.

#### Electrical Specifications

Description	Minimum	Typical	Maximum	Units
Frequency Range	DC		18	GHz
VSWR			1.16:1	
Dielectric Withstanding Voltage (AC)			1,500	Vrms

Electrical Specification Notes:  
Insertion Loss is  $0.04 \cdot \sqrt{\text{Freq GHz}}$

Click the following link (or enter part number in "SEARCH" on website) to obtain additional part information including price, inventory and certifications: [TNC Male Connector Clamp/Solder Attachment for PE-P160LL PE45443](#)



TNC Male Connector Clamp/Solder Attachment for PE-P160LL

RF Connectors  
Technical Data Sheet

PE45443

**Material Specifications**

Description	Material	Plating
Contact	Beryllium Copper	Gold ASTM-B488
Insulation	PTFE	
Body	Passivated Stainless Steel	
Coupling Nut	Passivated Stainless Steel	
Gasket	Silicone Rubber	
Crimp Sleeve	Brass	Gold ASTM-B488
O-Ring	Silicone Rubber	

**Environmental Specifications**

**Temperature**

Operating Range -65 to +165 deg C

**Compliance Certifications** (see [product page](#) for current document)

**Plotted and Other Data**

Notes:

Click the following link (or enter part number in "SEARCH" on website) to obtain additional part information including price, inventory and certifications: [TNC Male Connector Clamp/Solder Attachment for PE-P160LL PE45443](#)



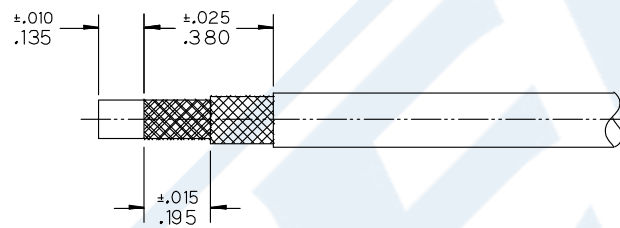
## TNC Male Connector Clamp/Solder Attachment for PE-P160LL

### RF Connectors Technical Data Sheet

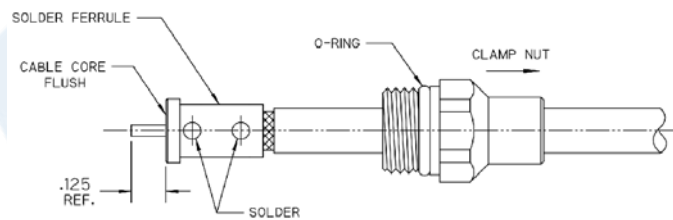
PE45443

#### Assembly Instruction

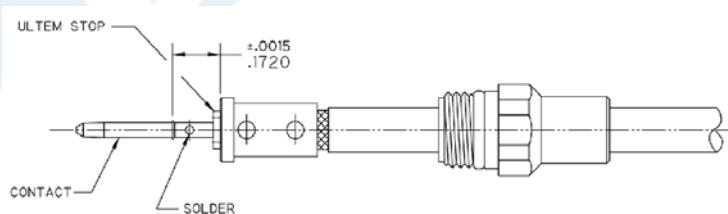
1. TRIM CABLE TO EXPOSE DIELECTRIC AND BRAIDS AS SHOWN.



2.
  - A. INSTALL O-RING ONTO CLAMP NUT WHERE SHOWN AND SLIDE CLAMP NUT OVER CABLE IN ORIENTATION SHOWN.
  - B. INSERT CABLE INTO SOLDER FERRULE UNTIL INNER BRAID SEATS THEN SOLDER BRAIDS TO FERRULE WHERE SHOWN.
  - C. TRIM CABLE DIELECTRIC FLUSH WITH FACE OF SOLDER FERRULE.



3.
  - A. SLIDE ULTEM DIELECTRIC STOP OVER CABLE CENTER CONDUCTOR AGAINST SOLDER FERRULE AS SHOWN.
  - B. SOLDER CONTACT FLUSH AGAINST STOP TO DIMENSION SHOWN.



Click the following link (or enter part number in "SEARCH" on website) to obtain additional part information including price, inventory and certifications: [TNC Male Connector Clamp/Solder Attachment for PE-P160LL PE45443](#)

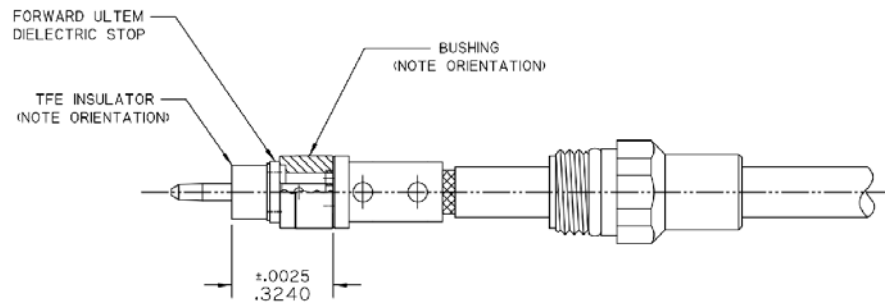


## TNC Male Connector Clamp/Solder Attachment for PE-P160LL

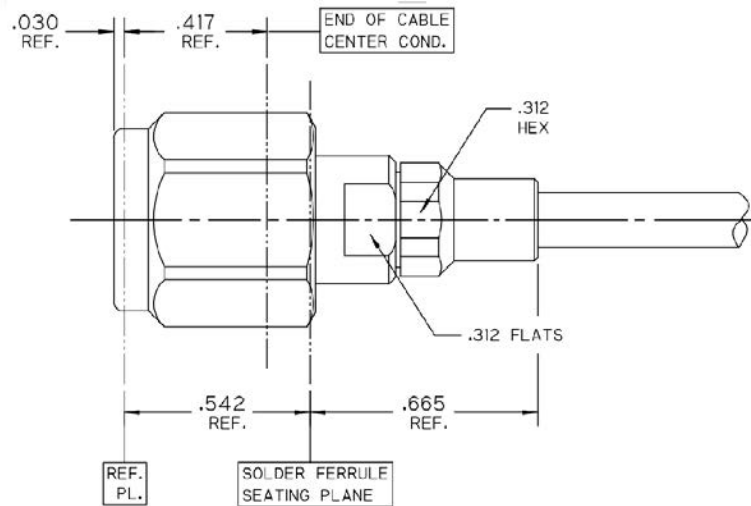
### RF Connectors Technical Data Sheet

PE45443

- SLIDE BUSHING, FORWARD ULTEM STOP & FORWARD TEFLON INSULATOR OVER CONTACT AS SHOWN.  
(NOTE: ORIENT BUSHING WITH SMALLER DIAMETER C'BORE TOWARD SOLDER FERRULE. ORIENT FORWARD TFE INSULATOR WITH SHOULDER TOWARD STOP).



- INSERT CABLE/CONTACT SUB-ASSEMBLY INTO CONNECTOR UNTIL SEATED AND TIGHTEN CLAMP NUT TO 35-45 IN-LBS.



Click the following link (or enter part number in "SEARCH" on website) to obtain additional part information including price, inventory and certifications: [TNC Male Connector Clamp/Solder Attachment for PE-P160LL PE45443](#)



## TNC Male Connector Clamp/Solder Attachment for PE-P160LL

### RF Connectors Technical Data Sheet

PE45443

TNC Male Connector Clamp/Solder Attachment for PE-P160LL from Pasternack Enterprises has same day shipment for domestic and International orders. Our RF, microwave and millimeter wave products maintain a 99.4% availability and are part of the broadest selection in the industry.

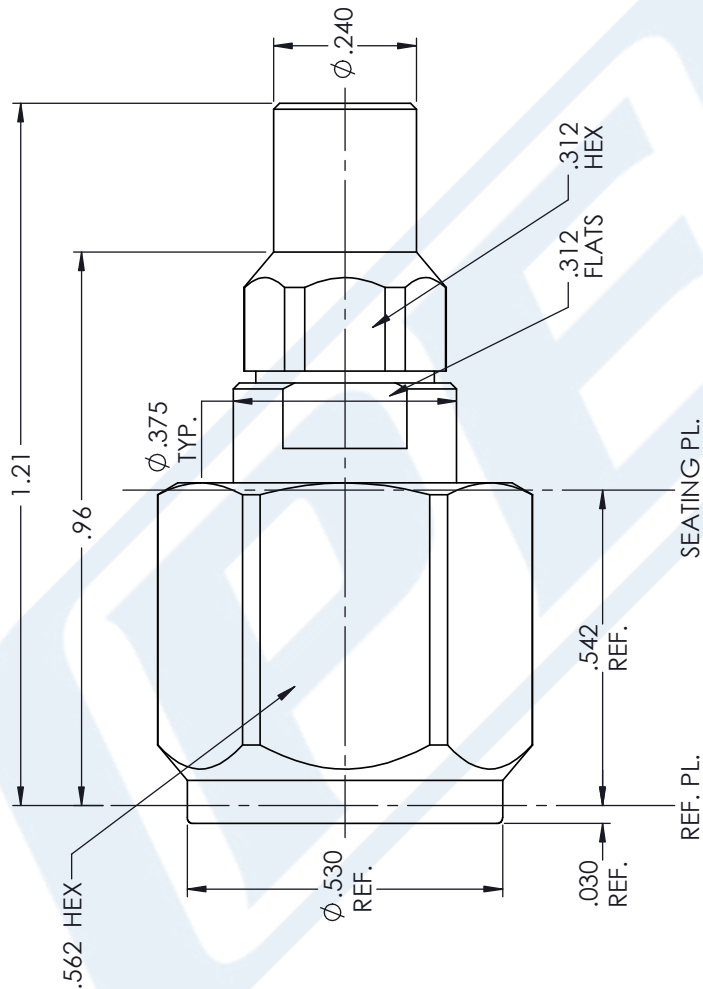
Click the following link (or enter part number in "SEARCH" on website) to obtain additional part information including price, inventory and certifications: [TNC Male Connector Clamp/Solder Attachment for PE-P160LL PE45443](https://www.pasternack.com/tnc-male-pe-p160ll-connector-pe45443-p.aspx)

URL: <https://www.pasternack.com/tnc-male-pe-p160ll-connector-pe45443-p.aspx>

The information contained in this document is accurate to the best of our knowledge and representative of the part described herein. It may be necessary to make modifications to the part and/or the documentation of the part, in order to implement improvements. Pasternack reserves the right to make such changes as required. Unless otherwise stated, all specifications are nominal. Pasternack does not make any representation or warranty regarding the suitability of the part described herein for any particular purpose, and Pasternack does not assume any liability arising out of the use of any part or documentation.

# PE45443 CAD Drawing

TNC Male Connector Clamp/Solder Attachment for PE-P160LL



## STANDARD TOLERANCES

.X ±0.2  
.XX ±0.01  
.XXX ±0.005

\*STANDARD TOLERANCES APPLY ONLY TO DIMENSIONS IN INCHES



Pasternack Enterprises, Inc.  
P.O. Box 16759 | Irvine | CA | 92623  
Phone: (949) 261-1920 | Fax: (949) 261-7451  
Website: www.pasternack.com | E-Mail: sales@pasternack.com

DWG TITLE

PE45443

CAGE CODE 53919

NOTES:  
1. UNLESS OTHERWISE SPECIFIED ALL DIMENSIONS ARE NOMINAL.  
2. ALL SPECIFICATIONS ARE SUBJECT TO CHANGE WITHOUT NOTICE AT ANY TIME.  
3. DIMENSIONS ARE IN INCHES [mm].

CAD FILE 01/11/18

SCALE N/A

SIZE A

GF0006



## Low Loss Flexible PE-P160LL Coax Cable Triple Shielded with Green FEP Jacket

### RF Cables Technical Data Sheet

PE-P160LL

#### Configuration

- Low Loss Flexible Cable
- 3 Shield(s)

#### Features

- Low Loss dielectric 82.5% VoP
- Phase stable Expanded PTFE dielectric
- Double Shielded with metalized polyimide interlayer
- Shielding >95dB
- FEP Jacket

#### Applications

- Low Loss system cables
- Rugged environments
- Test systems with long cable runs
- ATE, Automated Test Equipment
- Antenna Jumpers

#### Description

PE-P160LL low loss coaxial cable with flat strip foil braid is part of our full line of RF components available for same-day shipping from Pasternack. The PE-P160LL coaxial cable features a low loss dielectric with an 82.5% velocity of propagation (VoP). These low loss coax features combine to make Pasternack's cable well suited for applications that require a high-performance RF cable. Applications for coax with low loss include long cable lengths where the attenuation from standard solid dielectric coax would impact system performance.

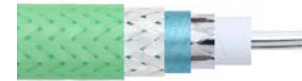
The 0.160 inch diameter coax has a durable FEP outer jacket that makes this cable appropriate for a wide range of indoor or outdoor applications. The flat foil braid provides superior shielding and the expanded PTFE dielectric contributes to the lower attenuation and improves the power handling of this coax cable.

Our datasheet specifications and drawing with dimensions for the PE-P160LL coax cable are shown below in this PDF. In addition to bulk RF cable, Pasternack offers cable assemblies using PE-P160LL with a wide selection of connector options available. See our web site to find the right connector cable combination for your application.

#### Electrical Specifications

Description	Minimum	Typical	Maximum	Units
Frequency Range	DC		18	GHz
Impedance		50		Ohms
Structural VSWR		1.35:1		
Velocity of Propagation		82.5		%
Nominal Capacitance		25 [82.02]		pF/ft [pF/m]

Click the following link (or enter part number in "SEARCH" on website) to obtain additional part information including price, inventory and certifications: [Low Loss Flexible PE-P160LL Coax Cable Triple Shielded with Green FEP Jacket PE-P160LL](#)



## Low Loss Flexible PE-P160LL Coax Cable Triple Shielded with Green FEP Jacket

### RF Cables Technical Data Sheet

PE-P160LL

#### Performance by Frequency Band

Description	F1	F2	F3	F4	F5	Units
Frequency	0.4	1	2	2.4	3	GHz
Attenuation, Max	6.9	11	15.8	17.3	19.4	dB/100ft
	22.64	36.09	51.84	56.76	63.65	dB/100m
Attenuation, Typ	6.3	10	14.3	15.7	17.7	dB/100ft
	20.67	32.81	46.92	51.51	58.07	dB/100m
Input Power (CW), Max	900	560			310	Watts

Description	F6	F7	F8	F9	F10	Units
Frequency	5	10	18			GHz
Attenuation, Max	25.4	36.7	50.6			dB/100ft
	83.33	120.41	166.01			dB/100m
Attenuation, Typ	23.1	33.4	46			dB/100ft
	75.79	109.58	150.92			dB/100m
Input Power (CW), Max	240	160	115			Watts

Electrical Specification Notes:  
Power handling derates linearly to 0% from +25°C to +250°C.

#### Mechanical Specifications

Diameter	0.16 in [4.06 mm]
Weight	0.027 lbs/ft [0.04 Kg/m]
Min. Bend Radius (Repeated)	0.8 in [20.32 mm]

#### Construction Specifications

Description	Material and Plating	Diameter
Inner Conductor	Copper, Silver, 1 Strand	0.04 in 1.02 mm
Conductor Type	Solid	
Dielectric	PTFE	0.11 in [2.79 mm]

Click the following link (or enter part number in "SEARCH" on website) to obtain additional part information including price, inventory and certifications: [Low Loss Flexible PE-P160LL Coax Cable Triple Shielded with Green FEP Jacket PE-P160LL](#)



## Low Loss Flexible PE-P160LL Coax Cable Triple Shielded with Green FEP Jacket

### RF Cables Technical Data Sheet

PE-P160LL

First Shield	Silver Plated Copper 90% min. coverage	0.116 in 2.95 mm
Second Shield	Aluminum Polyester	0.122 in 3.1 mm
Third Shield	Silver Plated Copper 90% min. coverage	0.14 in 3.56 mm
Jacket	FEP, Green	0.16 in [4.06 mm]

#### Environmental Specifications

##### Temperature

Operating Range

-55 to +200 deg C

**Compliance Certifications** (see [product page](#) for current document)

#### Plotted and Other Data

Notes:

Low Loss Flexible PE-P160LL Coax Cable Triple Shielded with Green FEP Jacket from Pasternack Enterprises has same day shipment for domestic and International orders. Our RF, microwave and millimeter wave products maintain a 99.4% availability and are part of the broadest selection in the industry.

Click the following link (or enter part number in "SEARCH" on website) to obtain additional part information including price, inventory and certifications: [Low Loss Flexible PE-P160LL Coax Cable Triple Shielded with Green FEP Jacket PE-P160LL](#)

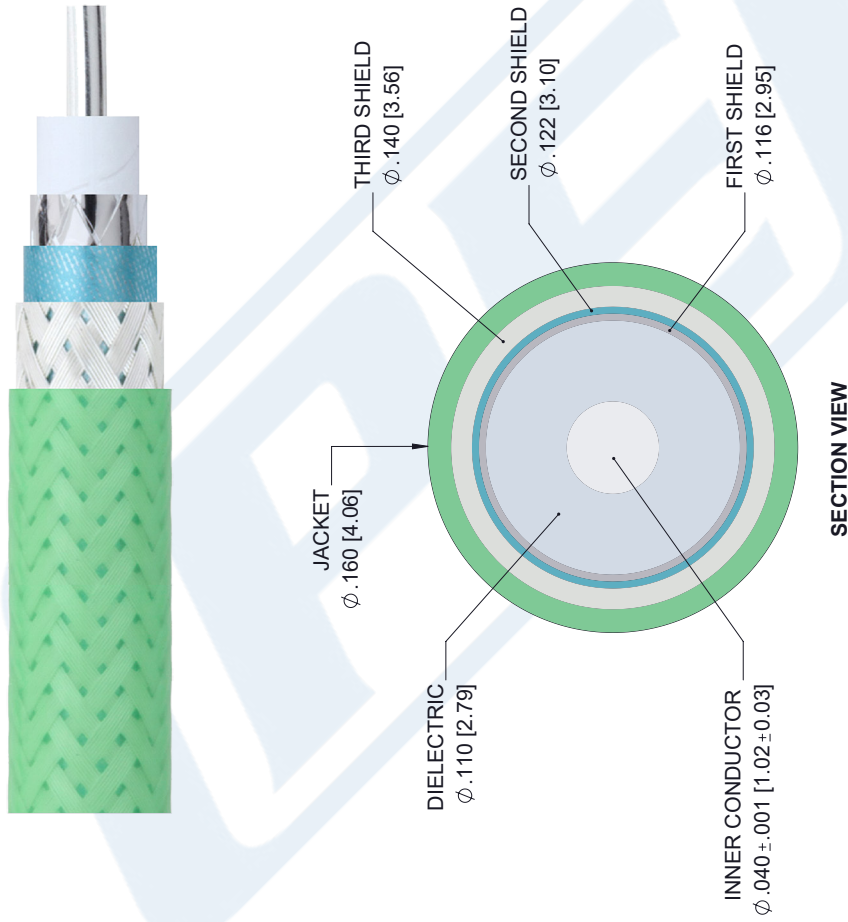
URL: <https://www.pasternack.com/50ohm-low-loss-flexible-pe-p160ll-coax-cable-triple-shielded-fep-jacket-p.aspx>

The information contained in this document is accurate to the best of our knowledge and representative of the part described herein. It may be necessary to make modifications to the part and/or the documentation of the part, in order to implement improvements. Pasternack reserves the right to make such changes as required. Unless otherwise stated, all specifications are nominal. Pasternack does not make any representation or warranty regarding the suitability of the part described herein for any particular purpose, and Pasternack does not assume any liability arising out of the use of any part or documentation.

# PE-P160LL CAD Drawing

Low Loss Flexible PE-P160LL Coax Cable Triple Shielded with Green FEP Jacket

REVISIONS			
REV.	DESCRIPTION	DATE	APPROVED
A	INITIAL RELEASE	5/4/2020	S.ELLIS



UNLESS OTHERWISE SPECIFIED  
LEADING DIMENSIONS ARE INCHES  
DIMENSIONS IN [ ] ARE MILLIMETERS

TOLERANCES:  
 X = ±.2 [5.08]      FRACTIONS ± 1/32  
 .XX = ±.02 [.51]      ANGLES ± 1°  
 .XXX = ±.005 [.13]

CABLE LENGTH (L) TOLERANCES:  
 L ≤ 12 [305] = +1 [25] / -0  
 12 [305] < L ≤ 60 [1524] = +2 [51] / -0  
 60 [1524] < L ≤ 120 [3048] = +4 [102] / -0  
 120 [3048] < L ≤ 300 [7620] = +6 [152] / -0  
 300 [7620] < L = +5% / -0

ALL DIMENSIONS SHOWN  
ARE FOR REFERENCE ONLY.

Pasternack Enterprises, Inc.  
 P.O. Box 16759, Irvine, CA 92623  
 Phone: 1.949.261.1920 | 1.866.727.8376  
 Fax: 1.949.261.7451  
 Website: www.pasternack.com  
 E-mail: sales@pasternack.com

THIRD-ANGLE PROJECTION

THE INFORMATION AND DESIGN IN THIS DOCUMENT IS THE PROPERTY OF PASTERNAK CORPORATION. ALL RIGHTS RESERVED.

SHEET 1 OF 1

SCALE N/A

SIZE	CAGE CODE	DRAWN BY	ITEM NO.
A	53919	K.DANG	PE-P160LL
			REV
			A

THESE COMMODITIES, TECHNOLOGY OR SOFTWARE WERE EXPORTED FROM THE UNITED STATES IN ACCORDANCE WITH THE EXPORT ADMINISTRATION REGULATIONS. DIVERSION CONTRARY TO U.S. LAW PROHIBITED.