



7/16 DIN Female Low PIM Connector Clamp/Non-Solder Contact Attachment For 1/2" Flexible, PE-1/2FAC

TECHNICAL DATA SHEET

PE44740

7/16 DIN Female Connectors

These Pasternack Enterprises' high performance connectors are designed to fit on most commercially available 1/2" flexible, annular corrugated copper cables and aluminum cables. These connectors are perfect for applications requiring low PIM levels, with outstanding RF performance and are easy to install in the field.

Features of the new connectors include:

- Tri-metal coating resulting in a very durable surface with good corrosion protection while providing superior electrical conductivity and exceptional PIM performance
- PIM performance of ≤ -160 dBc. VSWR levels of ≤ 1.10 up to 3GHz
- Available in 7/16 DIN and Type N series with both male and female interfaces
- O Rings gaskets provide a reliable long term weather seal
- Designed to fit on most commercially available 1/2" corrugated copper and aluminum cables

Configuration

Connector	7/16 DIN Female
Connector Interface Type	1/2" Flexible, PE-1/2FAC
Cable Attachment Method (Shield/Contact)	Clamp/Non-Solder Contact
Connector Design	Low PIM
Body Style	Straight

Electrical Specifications

Frequency Range, GHz	DC to 3
Impedance, Ohms	50
Maximum VSWR	1.1:1
Maximum Insertion Loss, dB	0.1
Dielectric Withstanding Voltage, Vrms	4,000
Maximum Passive Intermodulation (2 x 20 Watts), dBc	-160

Mechanical Specifications

Temperature

Operating Range, deg C	-40 to +85
------------------------	------------

Size

Length, in [mm]	2.12 [53.85]
Width/Dia., in [mm]	1.14 [28.96]
Weight, lbs [g]	0.28 [127.01]

Click the following link (or enter part number in "SEARCH" on website) to obtain additional part information including price, inventory and certifications: [7/16 DIN Female Low PIM Connector Clamp/Non-Solder Contact Attachment For 1/2" Flexible, PE-1/2FAC PE44740](#)

The information contained in this document is accurate to the best of our knowledge and representative of the part described herein. It may be necessary to make modifications to the part and/or the documentation of the part, in order to implement improvements. Pasternack reserves the right to make such changes as required. Unless otherwise stated, all specifications are nominal.



7/16 DIN Female Low PIM Connector Clamp/Non-Solder
Contact Attachment For 1/2" Flexible, PE-1/2FAC

TECHNICAL DATA SHEET

PE44740

Connector

Type	7/16 DIN Female
Mating Cycles	500
Contact Material and Plating	Spring Copper, Silver
Contact Plating Specification	200 [5] μ in. [μ m] minimum
Outer Conductor Material and Plating	Brass, Tri-Metal
Outer Conductor Plating Specification	78 [2] μ in. [μ m] minimum
Body Material and Plating	Brass, Tri-Metal
Body Plating Specification	78 [2] μ in. [μ m] minimum
Dielectric Type	TPX

Compliance Certifications (visit www.Pasternack.com for current document)

RoHS Compliant	Yes
----------------	-----

Plotted and Other Data

Notes:	Values at 25 °C, sea level
--------	----------------------------

7/16 DIN Female Low PIM Connector Clamp/Non-Solder Contact Attachment For 1/2" Flexible, PE-1/2FAC from Pasternack Enterprises has same day shipment for domestic and International orders. Our RF, microwave and fiber optic products maintain a 99% availability and are part of the broadest selection in the industry.

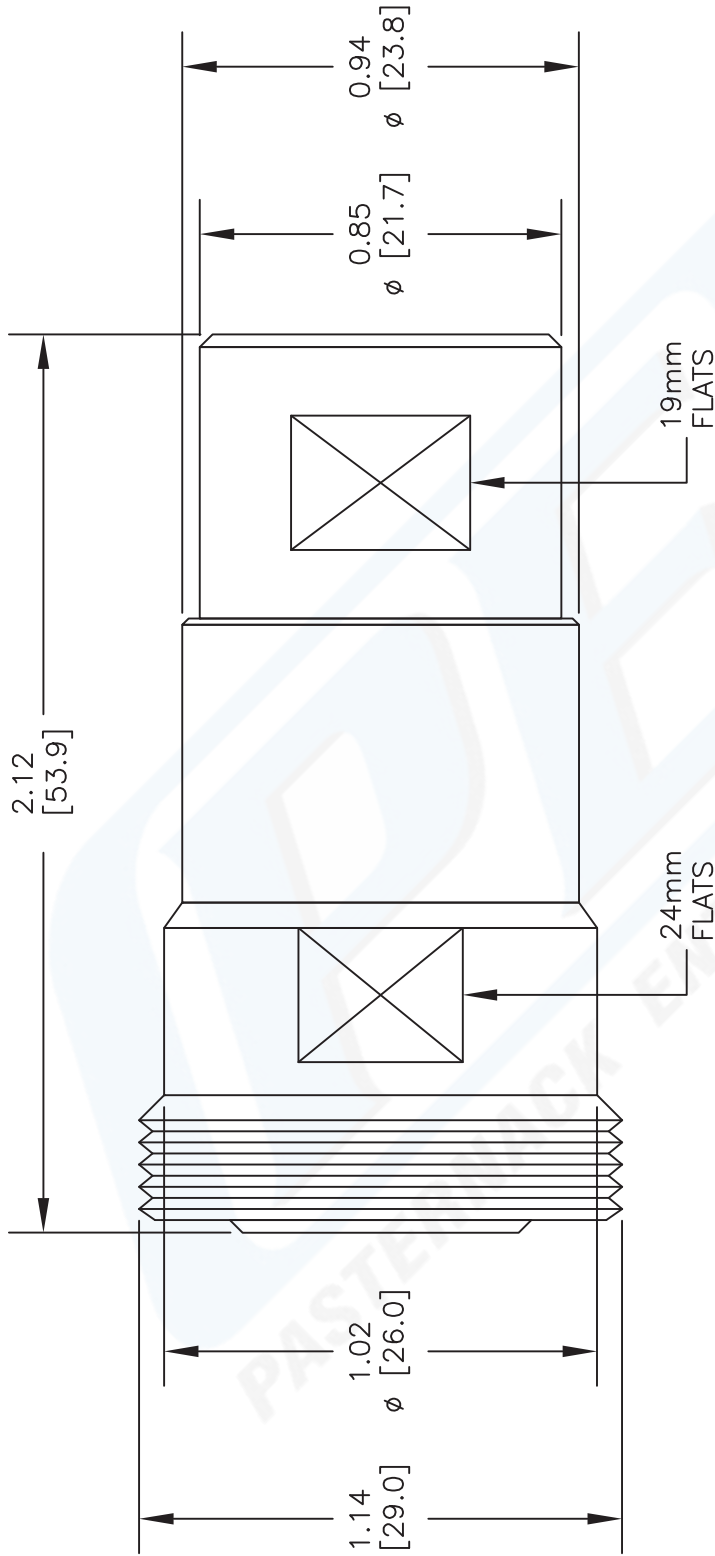
Click the following link (or enter part number in "SEARCH" on website) to obtain additional part information including price, inventory and certifications: [7/16 DIN Female Low PIM Connector Clamp/Non-Solder Contact Attachment For 1/2" Flexible, PE-1/2FAC PE44740](http://www.pasternack.com/7-16-female-standard-1-2-inch-flexible-pe-1-2sfhc-connector-pe44740-p.aspx)

URL: <http://www.pasternack.com/7-16-female-standard-1-2-inch-flexible-pe-1-2sfhc-connector-pe44740-p.aspx>

The information contained in this document is accurate to the best of our knowledge and representative of the part described herein. It may be necessary to make modifications to the part and/or the documentation of the part, in order to implement improvements. Pasternack reserves the right to make such changes as required. Unless otherwise stated, all specifications are nominal.

PE44740 CAD Drawing

7/16 DIN Female Low PIM Connector Clamp/Non-Solder
Contact Attachment For 1/2" Flexible, PE-1/2FAC



7/16
FEMALE

NOTES:
1. UNLESS OTHERWISE SPECIFIED ALL DIMENSIONS ARE NOMINAL.
2. ALL SPECIFICATIONS ARE SUBJECT TO CHANGE WITHOUT NOTICE AT ANY TIME.
3. DIMENSIONS ARE IN INCHES [mm].

DWG TITLE
PE44740

PASTERNAK ENTERPRISES, INC.
P.O. BOX 16759, IRVINE, CA 92623
PHONE (949) 261-1920 FAX (949) 261-7451
WEB ADDRESS: www.pasternack.com
E-MAIL ADDRESS: sales@pasternack.com
COAXIAL & FIBER OPTICS



2233

SIZE A

SCALE N/A

DATE 081612

FSCM NO. 53919

REV. -



7/16 DIN Female Low PIM Connector Clamp/Non-Solder Contact Attachment For 1/2" Flexible, PE-1/2FAC

TECHNICAL DATA SHEET

PE44740

7/16 DIN Female Connectors

These Pasternack Enterprises' high performance connectors are designed to fit on most commercially available 1/2" flexible, annular corrugated copper cables and aluminum cables. These connectors are perfect for applications requiring low PIM levels, with outstanding RF performance and are easy to install in the field.

Features of the new connectors include:

- Tri-metal coating resulting in a very durable surface with good corrosion protection while providing superior electrical conductivity and exceptional PIM performance
- PIM performance of ≤ -160 dBc. VSWR levels of ≤ 1.10 up to 3GHz
- Available in 7/16 DIN and Type N series with both male and female interfaces
- O Rings gaskets provide a reliable long term weather seal
- Designed to fit on most commercially available 1/2" corrugated copper and aluminum cables

Configuration

Connector	7/16 DIN Female
Connector Interface Type	1/2" Flexible, PE-1/2FAC
Cable Attachment Method (Shield/Contact)	Clamp/Non-Solder Contact
Connector Design	Low PIM
Body Style	Straight

Electrical Specifications

Frequency Range, GHz	DC to 3
Impedance, Ohms	50
Maximum VSWR	1.1:1
Maximum Insertion Loss, dB	0.1
Dielectric Withstanding Voltage, Vrms	4,000
Maximum Passive Intermodulation (2 x 20 Watts), dBc	-160

Mechanical Specifications

Temperature

Operating Range, deg C	-40 to +85
------------------------	------------

Size

Length, in [mm]	2.12 [53.85]
Width/Dia., in [mm]	1.14 [28.96]
Weight, lbs [g]	0.28 [127.01]

Click the following link (or enter part number in "SEARCH" on website) to obtain additional part information including price, inventory and certifications: [7/16 DIN Female Low PIM Connector Clamp/Non-Solder Contact Attachment For 1/2" Flexible, PE-1/2FAC PE44740](#)

The information contained in this document is accurate to the best of our knowledge and representative of the part described herein. It may be necessary to make modifications to the part and/or the documentation of the part, in order to implement improvements. Pasternack reserves the right to make such changes as required. Unless otherwise stated, all specifications are nominal.



7/16 DIN Female Low PIM Connector Clamp/Non-Solder
Contact Attachment For 1/2" Flexible, PE-1/2FAC

TECHNICAL DATA SHEET

PE44740

Connector

Type	7/16 DIN Female
Mating Cycles	500
Contact Material and Plating	Spring Copper, Silver
Contact Plating Specification	200 [5] μ in. [μ m] minimum
Outer Conductor Material and Plating	Brass, Tri-Metal
Outer Conductor Plating Specification	78 [2] μ in. [μ m] minimum
Body Material and Plating	Brass, Tri-Metal
Body Plating Specification	78 [2] μ in. [μ m] minimum
Dielectric Type	TPX

Compliance Certifications (visit www.Pasternack.com for current document)

RoHS Compliant	Yes
----------------	-----

Plotted and Other Data

Notes:	Values at 25 °C, sea level
--------	----------------------------

7/16 DIN Female Low PIM Connector Clamp/Non-Solder Contact Attachment For 1/2" Flexible, PE-1/2FAC from Pasternack Enterprises has same day shipment for domestic and International orders. Our RF, microwave and fiber optic products maintain a 99% availability and are part of the broadest selection in the industry.

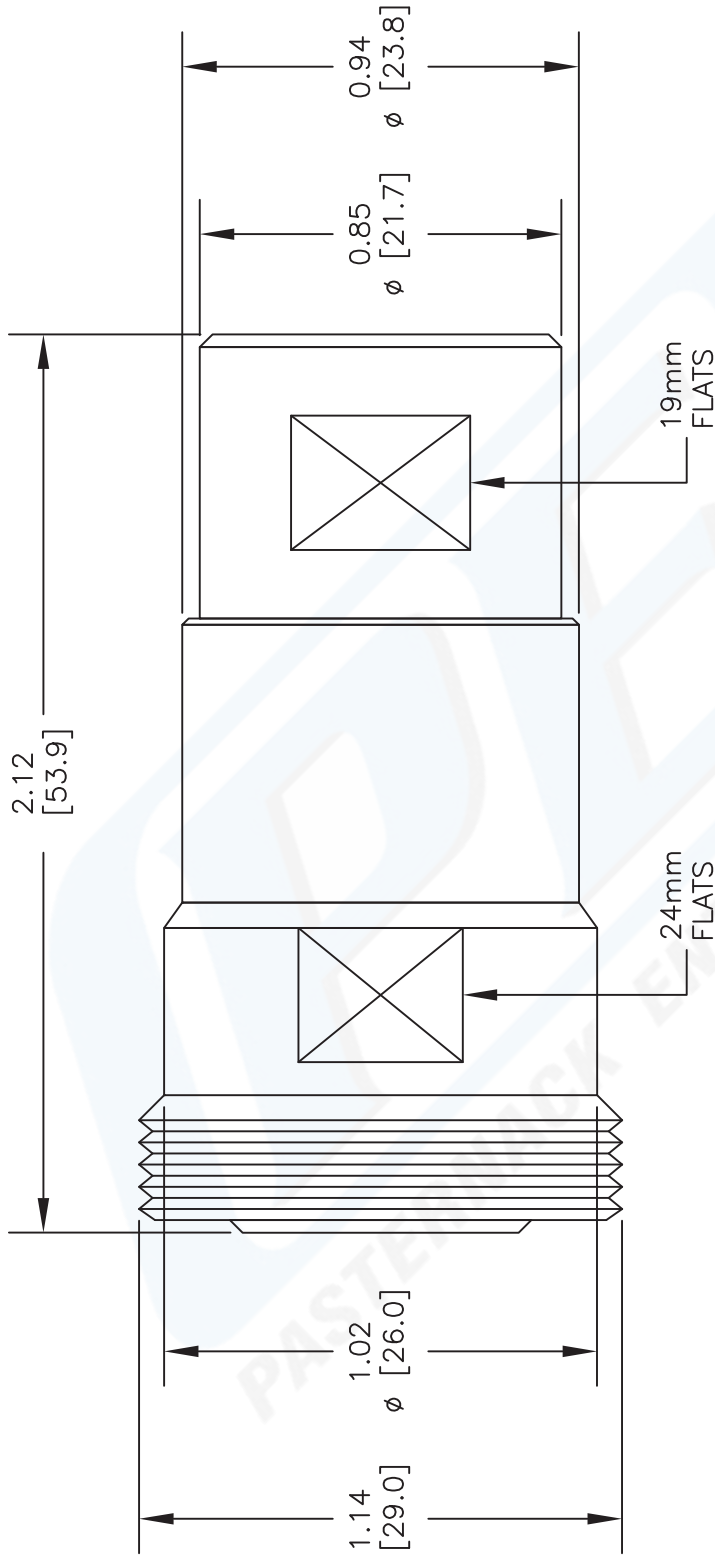
Click the following link (or enter part number in "SEARCH" on website) to obtain additional part information including price, inventory and certifications: [7/16 DIN Female Low PIM Connector Clamp/Non-Solder Contact Attachment For 1/2" Flexible, PE-1/2FAC PE44740](http://www.pasternack.com/7-16-female-standard-1-2-inch-flexible-pe-1-2sfhc-connector-pe44740-p.aspx)

URL: <http://www.pasternack.com/7-16-female-standard-1-2-inch-flexible-pe-1-2sfhc-connector-pe44740-p.aspx>

The information contained in this document is accurate to the best of our knowledge and representative of the part described herein. It may be necessary to make modifications to the part and/or the documentation of the part, in order to implement improvements. Pasternack reserves the right to make such changes as required. Unless otherwise stated, all specifications are nominal.

PE44740 CAD Drawing

7/16 DIN Female Low PIM Connector Clamp/Non-Solder
Contact Attachment For 1/2" Flexible, PE-1/2FAC



7/16
FEMALE

NOTES:
1. UNLESS OTHERWISE SPECIFIED ALL DIMENSIONS ARE NOMINAL.
2. ALL SPECIFICATIONS ARE SUBJECT TO CHANGE WITHOUT NOTICE AT ANY TIME.
3. DIMENSIONS ARE IN INCHES [mm].

DWG TITLE
PE44740

PASTERNAK ENTERPRISES, INC.
P.O. BOX 16759, IRVINE, CA 92623
PHONE (949) 261-1920 FAX (949) 261-7451
WEB ADDRESS: www.pasternack.com
E-MAIL ADDRESS: sales@pasternack.com
COAXIAL & FIBER OPTICS



2233

SIZE A

SCALE N/A

DATE 081612

FSCM NO. 53919

REV. -



Low Loss 1/2 Flexible Annular Corrugated Coax Cable with Black PE Jacket

RF Cables Technical Data Sheet

PE-1/2FAC

Configuration

- Low Loss Corrugated Cable
- 1 Shield(s)

Features

- Low Passive Intermodulation
- Solid copper outer conductor provides the highest possible RF shielding
- Flexible annularly corrugated copper outer conductor
- enables a small bending radius
- Excellent return loss performance
- Highly Foamed dielectric provides low attenuation

Description

Our corrugated cables and Low PIM connector combinations result in cable assemblies with excellent Passive Intermodulation performance. Solid copper outer conductors provide the highest possible RF shielding. This Flexible cable features excellent return loss performance. The highly foamed dielectric and optimized dimensions of these cables result in excellent low attenuation values. The flexible annularly corrugated copper outer conductor allows for a small bending radius.

Electrical Specifications

Description	Minimum	Typical	Maximum	Units
Frequency Range	DC		8.8	GHz
Cutoff Frequency		10		GHz
Impedance		50		Ohms
Velocity of Propagation		88		%
Shielding Effectiveness	120			dB
Dielectric Withstanding Voltage (DC)			1,590	Vdc
Jacket Spark			2,000	Vrms
Inner Conductor DC Resistance			0.49	Ohms/1000ft
Outer Conductor DC Resistance			0.73	Ohms/1000ft
Nominal Capacitance		23.2 [76.12]		pF/ft [pF/m]

Click the following link (or enter part number in "SEARCH" on website) to obtain additional part information including price, inventory and certifications: [Low Loss 1/2 Flexible Annular Corrugated Coax Cable with Black PE Jacket PE-1/2FAC](#)



Low Loss 1/2 Flexible Annular Corrugated Coax Cable with Black PE Jacket

RF Cables Technical Data Sheet

PE-1/2FAC

Performance by Frequency Band

Description	F1	F2	F3	F4	F5	Units
Frequency	0.1	0.45	0.8	1	1.8	GHz
Attenuation, Typ	0.6	1.4	1.9	2.2	3	dB/100ft
	1.97	4.59	6.23	7.22	9.84	dB/100m
Input Power (CW), Max	3,920	1,760	1,280	1,120	810	Watts

Description	F6	F7	F8	F9	F10	Units
Frequency	2.2	2.5	2.7	3		GHz
Attenuation, Typ	3.4	3.7	3.8	4		dB/100ft
	11.15	12.14	12.47	13.12		dB/100m
Input Power (CW), Max	720	660	630	590		Watts

Mechanical Specifications

Diameter	0.629 in [15.98 mm]
Weight	0.154 lbs/ft [0.23 Kg/m]
Number of Bends, Min	15
Min. Bend Radius (Installation)	2.75 in [69.85 mm]
Min. Bend Radius (Repeated)	4.72 in [119.89 mm]
Tensile Strength	270 lbs [122.47 Kg]

Construction Specifications

Description	Material and Plating	Diameter
Inner Conductor	Copper Clad Aluminum, 1 Strands	0.189 in [4.8 mm]
Conductor Type	Solid	
Dielectric	PE (F)	0.476 in [12.09 mm]
First Shield	Annular Corrugated Copper Tube	
Jacket	PE, Black	0.629 in [15.98 mm]

Click the following link (or enter part number in "SEARCH" on website) to obtain additional part information including price, inventory and certifications: [Low Loss 1/2 Flexible Annular Corrugated Coax Cable with Black PE Jacket PE-1/2FAC](#)



Low Loss 1/2 Flexible Annular Corrugated Coax Cable with Black PE Jacket

RF Cables Technical Data Sheet

PE-1/2FAC

Environmental Specifications

Temperature

Operating Range

-55 to +85 deg C

Compliance Certifications (see [product page](#) for current document)

Plotted and Other Data

Notes:

Low Loss 1/2 Flexible Annular Corrugated Coax Cable with Black PE Jacket from Pasternack Enterprises has same day shipment for domestic and International orders. Our RF, microwave and millimeter wave products maintain a 99.4% availability and are part of the broadest selection in the industry.

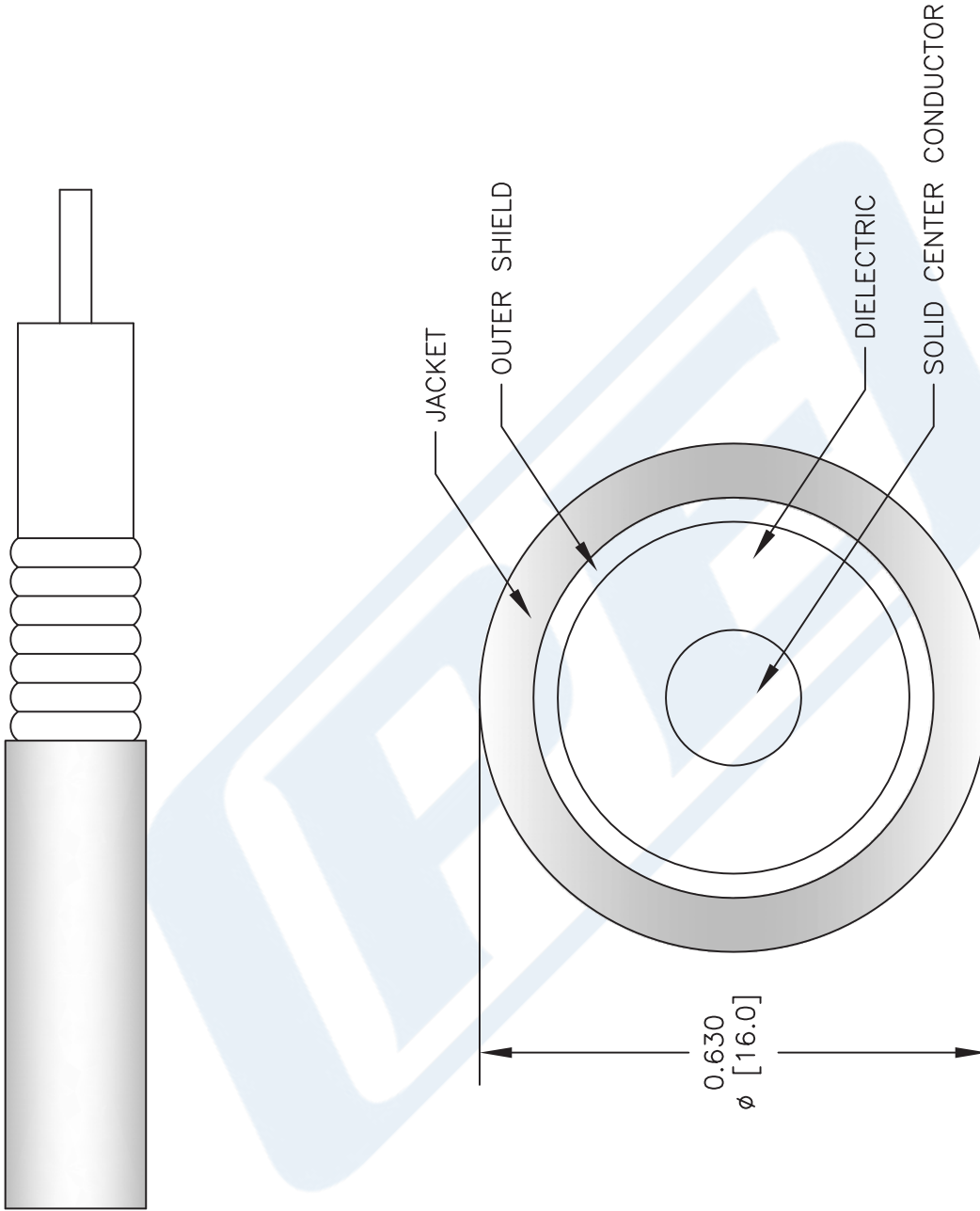
Click the following link (or enter part number in "SEARCH" on website) to obtain additional part information including price, inventory and certifications: [Low Loss 1/2 Flexible Annular Corrugated Coax Cable with Black PE Jacket PE-1/2FAC](#)

URL: <https://www.pasternack.com/50-ohm-low-loss-corrugated-1-2-flexible-annular-coax-pe-1-2fac-p.aspx>

The information contained in this document is accurate to the best of our knowledge and representative of the part described herein. It may be necessary to make modifications to the part and/or the documentation of the part, in order to implement improvements. Pasternack reserves the right to make such changes as required. Unless otherwise stated, all specifications are nominal. Pasternack does not make any representation or warranty regarding the suitability of the part described herein for any particular purpose, and Pasternack does not assume any liability arising out of the use of any part or documentation.

PE-1/2FAC CAD Drawing

Low Loss 1/2 Flexible Annular Corrugated Coax Cable with Black PE Jacket



NOTES:
 1. UNLESS OTHERWISE SPECIFIED ALL DIMENSIONS ARE NOMINAL.
 2. ALL SPECIFICATIONS ARE SUBJECT TO CHANGE WITHOUT NOTICE AT ANY TIME.
 3. DIMENSIONS ARE IN INCHES [mm].

DWG TITLE
PE-1/2FAC

2233

SIZE A

SCALE N/A

CAD FILE 092112

FSCM NO. 53919

(PE) PASTERNAK®
 Pasternack Enterprises, Inc.
 P.O. Box 16759 | Irvine | CA | 92623
 Phone: (949) 261-1920 | Fax: (949) 261-7451
 Website: www.pasternack.com | E-Mail: sales@pasternack.com