



N Male Connector Crimp/Solder Attachment for LMR-600 Cable

RF Connectors Technical Data Sheet


TC-600-NMH-X

Times Microwave Systems Connector Specification

Configuration

- N Male Connector
- 50 Ohms
- Straight Body Geometry
- Connector Interface Types: LMR-600
- 20.57 mm Hex

Features

- Operating Frequency of 6 GHz Max.
- Excellent VSWR of 1.25:1
- Gold Plated Brass Contact
- 50 μ in. minimum contact plating

Applications

- General Purpose Test
- Custom Cable Assemblies

Description

Type N male connector with crimp/solder attachment for LMR-600, part number TC-600-NMH-X, from Fairview Microwave is in-stock and ships same day. This type N male connector operates up to a maximum frequency of 6 GHz and offers excellent VSWR of 1.25:1.

Fairview's type N male connector TC-600-NMH-X datasheet specifications and outline drawing are shown in this PDF below. Our extensive offering of RF, microwave and millimeter wave connectors allows designers to configure and customize their signal connections however they like. From providing an I/O for a board design to creating a custom cable assembly configuration, Fairview Microwave has a connector solution to meet your needs. Fairview Microwave also has the expertise to build your custom cable assemblies for you and ship them same-day.

Electrical Specifications

| Description | Minimum | Typical | Maximum | Units |
|--------------------------------------|---------|---------|---------|-------|
| Frequency Range | DC | | 6 | GHz |
| VSWR | | | 1.25:1 | |
| Dielectric Withstanding Voltage (AC) | | | 2,500 | Vrms |
| Inner Conductor DC Resistance | | | 0.8 | mOhms |
| Outer Conductor DC Resistance | | | 0.4 | mOhms |
| Insulation Resistance | 5,000 | | | MOhms |

Performance by Frequency

| Description | F1 | F2 | F3 | F4 | F5 | Units |
|---------------------|---------|----|----|----|----|-------|
| Frequency Range | DC to 3 | | | | | GHz |
| Insertion Loss, Max | 0.1 | | | | | dB |

Click the following link (or enter part number in "SEARCH" on website) to obtain additional part information including price, inventory and certifications: [N Male Connector Crimp/Solder Attachment for LMR-600 Cable TC-600-NMH-X](#)



N Male Connector Crimp/Solder Attachment for LMR-600 Cable

RF Connectors Technical Data Sheet



TC-600-NMH-X

Mechanical Specifications

Size

| | |
|---------------|---------------------|
| Length | 1.82 in [46.23 mm] |
| Width/Dia. | 0.801 in [20.35 mm] |
| Weight | 0.102 lbs [46.27 g] |
| Mating Torque | 44 in-lbs [4.97 Nm] |

Material Specifications

| Description | Material | Plating |
|--------------|----------|-------------------------------|
| Contact | Brass | Gold 50µ in. minimum |
| Insulation | PTFE | |
| Body | Brass | Tri-Metal 100µ in. minimum |
| Coupling Nut | Brass | Tri-Metal 100µ in. minimum |

Environmental Specifications

Temperature

| | |
|-----------------|--------------------------------------|
| Operating Range | -55 to +155 deg C |
| Shock | MIL-STD 202, Method 213, Condition I |
| Vibration | MIL-STD 202, Method 204, Condition B |

Compliance Certifications (see [product page](#) for current document)

Plotted and Other Data

Notes:

Click the following link (or enter part number in "SEARCH" on website) to obtain additional part information including price, inventory and certifications: [N Male Connector Crimp/Solder Attachment for LMR-600 Cable TC-600-NMH-X](#)



N Male Connector Crimp/Solder Attachment for LMR-600 Cable

RF Connectors Technical Data Sheet



TC-600-NMH-X

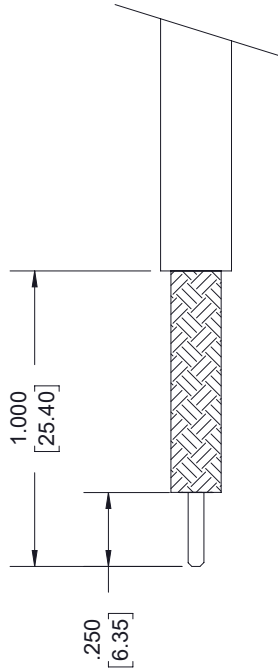
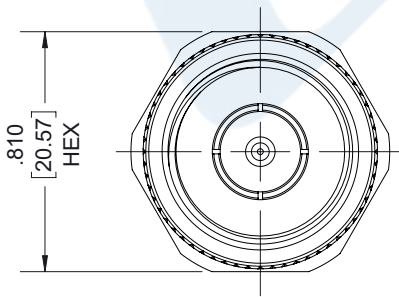
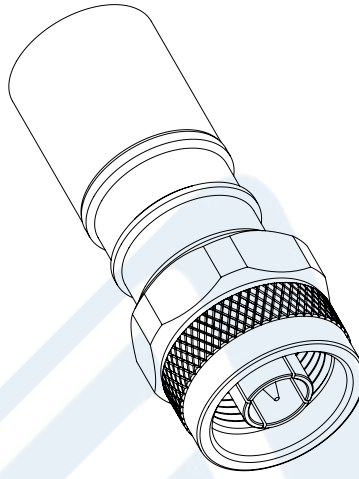
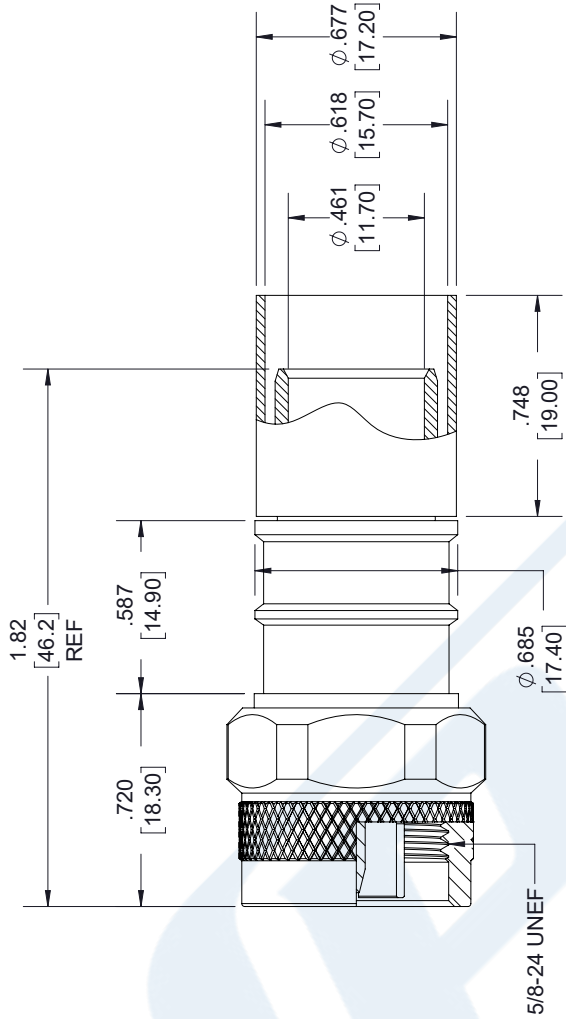
N Male Connector Crimp/Solder Attachment for LMR-600 Cable from Pasternack Enterprises has same day shipment for domestic and International orders. Our RF, microwave and millimeter wave products maintain a 99.4% availability and are part of the broadest selection in the industry.

Click the following link (or enter part number in "SEARCH" on website) to obtain additional part information including price, inventory and certifications: [N Male Connector Crimp/Solder Attachment for LMR-600 Cable TC-600-NMH-X](https://www.fairviewmicrowave.com/n-male-lmr-600-connector-tc-600-nmh-x-p.aspx)

URL: <https://www.fairviewmicrowave.com/n-male-lmr-600-connector-tc-600-nmh-x-p.aspx>

The information contained in this document is accurate to the best of our knowledge and representative of the part described herein. It may be necessary to make modifications to the part and/or the documentation of the part, in order to implement improvements. Pasternack reserves the right to make such changes as required. Unless otherwise stated, all specifications are nominal. Pasternack does not make any representation or warranty regarding the suitability of the part described herein for any particular purpose, and Pasternack does not assume any liability arising out of the use of any part or documentation.

| REVISIONS | | | |
|-----------|-----------------|----------|----------|
| REV. | DESCRIPTION | DATE | APPROVED |
| A | INITIAL RELEASE | 1/7/2020 | S.ELLIS |



STRIPPING DIMENSIONS

- NOTES:
- CABLE ATTACHMENT:
 - OUTER: CRIMP.
 - INNER: SOLDER.
 - CRIMP SIZE REQUIRED:
 - FERRULE: .618 [15.70] HEX. CRIMP TOOL.
 - CONTACT: SOLDER.

UNLESS OTHERWISE SPECIFIED LEADING DIMENSIONS ARE INCHES DIMENSIONS IN [] ARE MILLIMETERS

TOLERANCES:

| | | |
|--------------|--------|-------------|
| .X = ±.2 | [5.08] | FRACTIONS |
| .XX = ±.02 | [.51] | ± 1/32 |
| .XXX = ±.005 | [.13] | ANGLES ± 1° |

CABLE LENGTH (L) TOLERANCES:

| | | |
|----------------------|--------|-----------------|
| L ≤ 12 | [305] | = +1 [25] / -0 |
| 12 [305] < L ≤ 60 | [1524] | = +2 [51] / -0 |
| 60 [1524] < L ≤ 120 | [3048] | = +4 [102] / -0 |
| 120 [3048] < L ≤ 300 | [7620] | = +6 [152] / -0 |
| 300 [7620] < L ≤ ∞ | | = +5% / L / -0 |

ALL DIMENSIONS SHOWN ARE FOR REFERENCE ONLY.

PE PASTERNAK
 an INFINIT® brand

Pasternack Enterprises, Inc.
 P. O. Box 16759, Irvine, CA 92623.
 Phone: 1.949.261.1920 | 1.866.727.8376
 Fax: 1.949.261.7451
 Website: www.pasternack.com
 E-mail: sales@pasternack.com

THIRD-ANGLE PROJECTION

THE INFORMATION AND DESIGN IN THIS DOCUMENT IS THE PROPERTY OF PASTERNAK CORPORATION. ALL RIGHTS RESERVED.

SHEET 1 OF 1
 SCALE N/A

ITEM NO. TC-600-NMH-X
 CAGE CODE DRAWN BY K.DANG
 REV A



N Male Connector Crimp/Solder Attachment for LMR-600 Cable

RF Connectors Technical Data Sheet



TC-600-NMH-X

Times Microwave Systems Connector Specification

Configuration

- N Male Connector
- 50 Ohms
- Straight Body Geometry
- Connector Interface Types: LMR-600
- 20.57 mm Hex

Features

- Operating Frequency of 6 GHz Max.
- Excellent VSWR of 1.25:1
- Gold Plated Brass Contact
- 50µ in. minimum contact plating

Applications

- General Purpose Test
- Custom Cable Assemblies

Description

Type N male connector with crimp/solder attachment for LMR-600, part number TC-600-NMH-X, from Fairview Microwave is in-stock and ships same day. This type N male connector operates up to a maximum frequency of 6 GHz and offers excellent VSWR of 1.25:1.

Fairview's type N male connector TC-600-NMH-X datasheet specifications and outline drawing are shown in this PDF below. Our extensive offering of RF, microwave and millimeter wave connectors allows designers to configure and customize their signal connections however they like. From providing an I/O for a board design to creating a custom cable assembly configuration, Fairview Microwave has a connector solution to meet your needs. Fairview Microwave also has the expertise to build your custom cable assemblies for you and ship them same-day.

Electrical Specifications

| Description | Minimum | Typical | Maximum | Units |
|--------------------------------------|---------|---------|---------|-------|
| Frequency Range | DC | | 6 | GHz |
| VSWR | | | 1.25:1 | |
| Dielectric Withstanding Voltage (AC) | | | 2,500 | Vrms |
| Inner Conductor DC Resistance | | | 0.8 | mOhms |
| Outer Conductor DC Resistance | | | 0.4 | mOhms |
| Insulation Resistance | 5,000 | | | MOhms |

Performance by Frequency

| Description | F1 | F2 | F3 | F4 | F5 | Units |
|---------------------|---------|----|----|----|----|-------|
| Frequency Range | DC to 3 | | | | | GHz |
| Insertion Loss, Max | 0.1 | | | | | dB |

Click the following link (or enter part number in "SEARCH" on website) to obtain additional part information including price, inventory and certifications: [N Male Connector Crimp/Solder Attachment for LMR-600 Cable TC-600-NMH-X](#)



N Male Connector Crimp/Solder Attachment for LMR-600 Cable

RF Connectors Technical Data Sheet



TC-600-NMH-X

Mechanical Specifications

Size

| | |
|---------------|---------------------|
| Length | 1.82 in [46.23 mm] |
| Width/Dia. | 0.801 in [20.35 mm] |
| Weight | 0.102 lbs [46.27 g] |
| Mating Torque | 44 in-lbs [4.97 Nm] |

Material Specifications

| Description | Material | Plating |
|--------------|----------|-------------------------------|
| Contact | Brass | Gold 50µ in. minimum |
| Insulation | PTFE | |
| Body | Brass | Tri-Metal 100µ in. minimum |
| Coupling Nut | Brass | Tri-Metal 100µ in. minimum |

Environmental Specifications

Temperature

| | |
|-----------------|--------------------------------------|
| Operating Range | -55 to +155 deg C |
| Shock | MIL-STD 202, Method 213, Condition I |
| Vibration | MIL-STD 202, Method 204, Condition B |

Compliance Certifications (see [product page](#) for current document)

Plotted and Other Data

Notes:

Click the following link (or enter part number in "SEARCH" on website) to obtain additional part information including price, inventory and certifications: [N Male Connector Crimp/Solder Attachment for LMR-600 Cable TC-600-NMH-X](#)



N Male Connector Crimp/Solder Attachment for LMR-600 Cable

RF Connectors Technical Data Sheet



TC-600-NMH-X

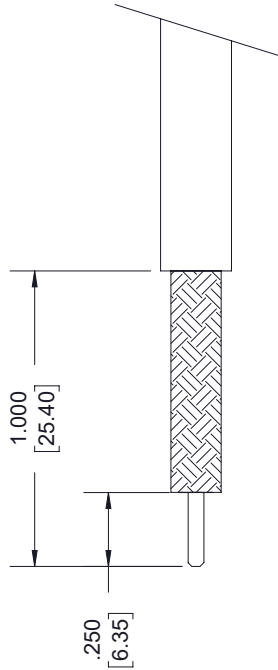
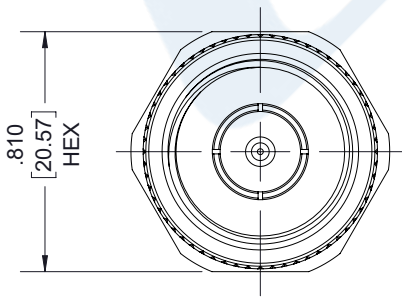
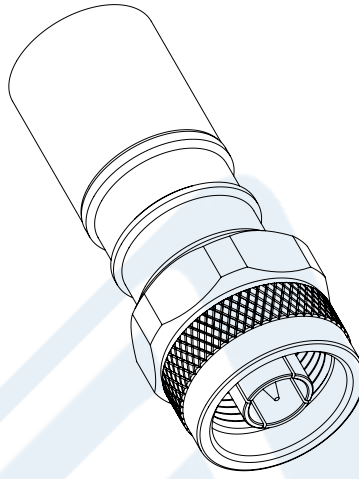
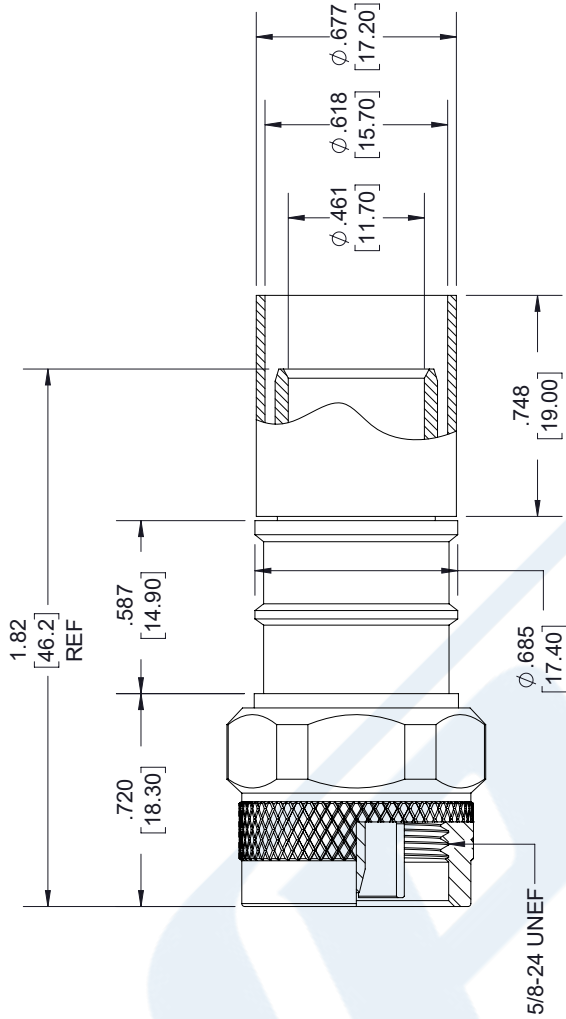
N Male Connector Crimp/Solder Attachment for LMR-600 Cable from Pasternack Enterprises has same day shipment for domestic and International orders. Our RF, microwave and millimeter wave products maintain a 99.4% availability and are part of the broadest selection in the industry.

Click the following link (or enter part number in "SEARCH" on website) to obtain additional part information including price, inventory and certifications: [N Male Connector Crimp/Solder Attachment for LMR-600 Cable TC-600-NMH-X](https://www.fairviewmicrowave.com/n-male-lmr-600-connector-tc-600-nmh-x-p.aspx)

URL: <https://www.fairviewmicrowave.com/n-male-lmr-600-connector-tc-600-nmh-x-p.aspx>

The information contained in this document is accurate to the best of our knowledge and representative of the part described herein. It may be necessary to make modifications to the part and/or the documentation of the part, in order to implement improvements. Pasternack reserves the right to make such changes as required. Unless otherwise stated, all specifications are nominal. Pasternack does not make any representation or warranty regarding the suitability of the part described herein for any particular purpose, and Pasternack does not assume any liability arising out of the use of any part or documentation.

| REVISIONS | | | |
|-----------|-----------------|----------|----------|
| REV. | DESCRIPTION | DATE | APPROVED |
| A | INITIAL RELEASE | 1/7/2020 | S. ELLIS |



STRIPPING DIMENSIONS

- NOTES:
- CABLE ATTACHMENT:
 - OUTER: CRIMP.
 - INNER: SOLDER.
 - CRIMP SIZE REQUIRED:
 - FERRULE: .618 [15.70] HEX. CRIMP TOOL.
 - CONTACT: SOLDER.

UNLESS OTHERWISE SPECIFIED LEADING DIMENSIONS ARE INCHES DIMENSIONS IN [] ARE MILLIMETERS

TOLERANCES:
 .X = ±.2 [5.08] FRACTIONS ± 1/32
 .XX = ±.02 [.51] ANGLES ± 1°
 .XXX = ±.005 [.13] CABLE LENGTH (L) TOLERANCES:
 L ≤ 12 [305] = +1 [25] / -0
 12 [305] < L ≤ 60 [1524] = +2 [51] / -0
 60 [1524] < L ≤ 120 [3048] = +4 [102] / -0
 120 [3048] < L ≤ 300 [7620] = +6 [152] / -0
 300 [7620] < L = +5% / L / -0
 ALL DIMENSIONS SHOWN ARE FOR REFERENCE ONLY.

PE PASTERNAK
 an INFINITI brand

Pasternack Enterprises, Inc.
 P. O. Box 16759, Irvine, CA 92623.
 Phone: 1.949.261.1920 | 1.866.727.8376
 Fax: 1.949.261.7451
 Website: www.pasternack.com
 E-mail: sales@pasternack.com

THIRD-ANGLE PROJECTION

THE INFORMATION AND DESIGN IN THIS DOCUMENT IS THE PROPERTY OF PASTERNAK CORPORATION. ALL RIGHTS RESERVED.

SHEET 1 OF 1
 SCALE N/A

ITEM NO. TC-600-NMH-X
 CAGE CODE DRAWN BY K.DANG
 REV A



Low Loss Flexible LMR-600-UF Outdoor Rated Coax Cable Double Shielded with Black TPE Jacket Ultra Flex

RF Cables Technical Data Sheet



LMR-600-UF

Times Microwave Systems Coax Cable Specification

Configuration

- Low Loss, Outdoor Flexible Cable
- 2 Shield(s)

Features

- Ultra Flexible Coax with Stranded Center Conductor
- Max Operating Frequency of 5.8 GHz
- Phase Velocity 87% VoP
- Max Operating Temperature +85°C
- TPE Jacket
- Min Install Bend Radius of 1.5 inches

Applications

- RF Test Systems
- Antenna Installs
- Laboratory Applications
- General Purpose RF Interconnect
- Jumper Assemblies

Description

LMR-600-UF Ultra Flex version of the 600 series Low Loss Coax from Times Microwave is part of the large product offering by Pasternack of radio frequency coaxial cable types specifically stocked to be ready for same-day shipment. Pasternack LMR-600-UF coax cable is manufactured in an ultra flexible design and has a 50 Ohm impedance. This low loss and ultra flexible 50 Ohm coax cable LMR-600-UF is constructed with a 0.590 inch diameter and Black TPE jacket.

LMR-600-UF flexible 50 Ohm coax cable with TPE jacket is rated for a 5.8 GHz maximum operating frequency. This 50 Ohm 0.590 inch diameter and low loss ultra flexible coax cable is built with an aluminum double shield count and RF shielding of 90 dB. Times Microwave LMR-600-UF TPE coax is constructed with Foam PE dielectric and a maximum operating temperature of 85 degrees C. Pasternack's offering of LMR-600-UF coax cable provides specs for this wire on its RF coax cable LMR-600-UF datasheet.

LMR-600-UF cable is part of more than one million RF, microwave parts in stock at Pasternack. This Times Microwave low loss ultra flexible LMR-600-UF coax cable is ready to buy and can be shipped worldwide. Pasternack also maintains a wide selection of other radio frequency coaxial cable types that ship same-day from our warehouse as with the rest of our other RF/microwave components.

* LMR™ is a trademark of Times Microwave Systems.

Electrical Specifications

| Description | Minimum | Typical | Maximum | Units |
|--------------------------------------|---------|-----------|---------|------------|
| Frequency Range | DC | | 5.8 | GHz |
| Impedance | | 50 | | Ohms |
| Velocity of Propagation | | 87 | | % |
| Time Delay | | 1.17 3.84 | | ns/ft ns/m |
| Shielding Effectiveness | 90 | | | dB |
| Dielectric Withstanding Voltage (DC) | | | 4,000 | Vdc |

Click the following link (or enter part number in "SEARCH" on website) to obtain additional part information including price, inventory and certifications: [Low Loss Flexible LMR-600-UF Outdoor Rated Coax Cable Double Shielded with Black TPE Jacket Ultra Flex LMR-600-UF](#)



Low Loss Flexible LMR-600-UF Outdoor Rated Coax Cable Double Shielded with Black TPE Jacket Ultra Flex

RF Cables Technical Data Sheet



LMR-600-UF

| | | |
|-------------------------------|--------------|--------------|
| Jacket Spark | 8,000 | Vrms |
| Inner Conductor DC Resistance | 0.43 | Ohms/1000ft |
| Outer Conductor DC Resistance | 1.2 | Ohms/1000ft |
| Nominal Capacitance | 23.4 [76.77] | pF/ft [pF/m] |
| Nominal Inductance | 0.058 [0.19] | uH/ft [uH/m] |
| Input Power (Peak) | 40 | kWatts |

Performance by Frequency Band

| Description | F1 | F2 | F3 | F4 | F5 | Units |
|-----------------------|-------|-------|-------|-------|------|----------|
| Frequency | 50 | 150 | 220 | 450 | 900 | MHz |
| Attenuation, Typ | 0.7 | 1.2 | 1.4 | 2.1 | 3 | dB/100ft |
| | 2.3 | 3.94 | 4.59 | 6.89 | 9.84 | dB/100m |
| Input Power (CW), Max | 3,530 | 2,000 | 1,640 | 1,120 | 770 | Watts |

| Description | F6 | F7 | F8 | F9 | F10 | Units |
|-----------------------|-------|-------|-------|-------|-------|----------|
| Frequency | 1.5 | 1.8 | 2 | 2.5 | 5.8 | GHz |
| Attenuation, Typ | 4 | 4.4 | 4.7 | 5.3 | 8.7 | dB/100ft |
| | 13.12 | 14.44 | 15.42 | 17.39 | 28.54 | dB/100m |
| Input Power (CW), Max | 580 | 520 | 490 | 430 | 260 | Watts |

Mechanical Specifications

| | |
|---------------------------------|--------------------------|
| Diameter | 0.59 in [14.99 mm] |
| Weight | 0.165 lbs/ft [0.25 Kg/m] |
| Min. Bend Radius (Installation) | 1.5 in [38.1 mm] |
| Min. Bend Radius (Repeated) | 6 in [152.4 mm] |
| Bending Moment | 1.75 lbs-ft [2.37 N-m] |
| Tensile Strength | 350 lbs [158.76 kg] |
| Flat Plate Crush | 40 lbs/in [0.71 Kg/mm] |

Construction Specifications

| Description | Material and Plating | Diameter |
|-----------------|----------------------|--------------------|
| Inner Conductor | Copper, 1 Strand | 0.176 in [4.47 mm] |

Click the following link (or enter part number in "SEARCH" on website) to obtain additional part information including price, inventory and certifications: [Low Loss Flexible LMR-600-UF Outdoor Rated Coax Cable Double Shielded with Black TPE Jacket Ultra Flex LMR-600-UF](#)



Low Loss Flexible LMR-600-UF Outdoor Rated Coax Cable
Double Shielded with Black TPE Jacket Ultra Flex

RF Cables
Technical Data Sheet



LMR-600-UF

| | | |
|----------------|---------------|---------------------|
| Conductor Type | Stranded | |
| Dielectric | Foam PE | 0.455 in [11.56 mm] |
| First Shield | Aluminum Tape | [] |
| Second Shield | Tinned Copper | [] |
| Jacket | TPE, Black | 0.59 in [14.99 mm] |

Environmental Specifications

Temperature

| | |
|--------------------|------------------|
| Operating Range | -40 to +85 deg C |
| Installation Range | -40 to +85 deg C |
| Storage Range | -70 to +85 deg C |

Environmental Specification Notes:
Indoor/Outdoor

Compliance Certifications (see [product page](#) for current document)

Plotted and Other Data

Notes:

Low Loss Flexible LMR-600-UF Outdoor Rated Coax Cable Double Shielded with Black TPE Jacket Ultra Flex from Pasternack Enterprises has same day shipment for domestic and International orders. Our RF, microwave and millimeter wave products maintain a 99.4% availability and are part of the broadest selection in the industry.

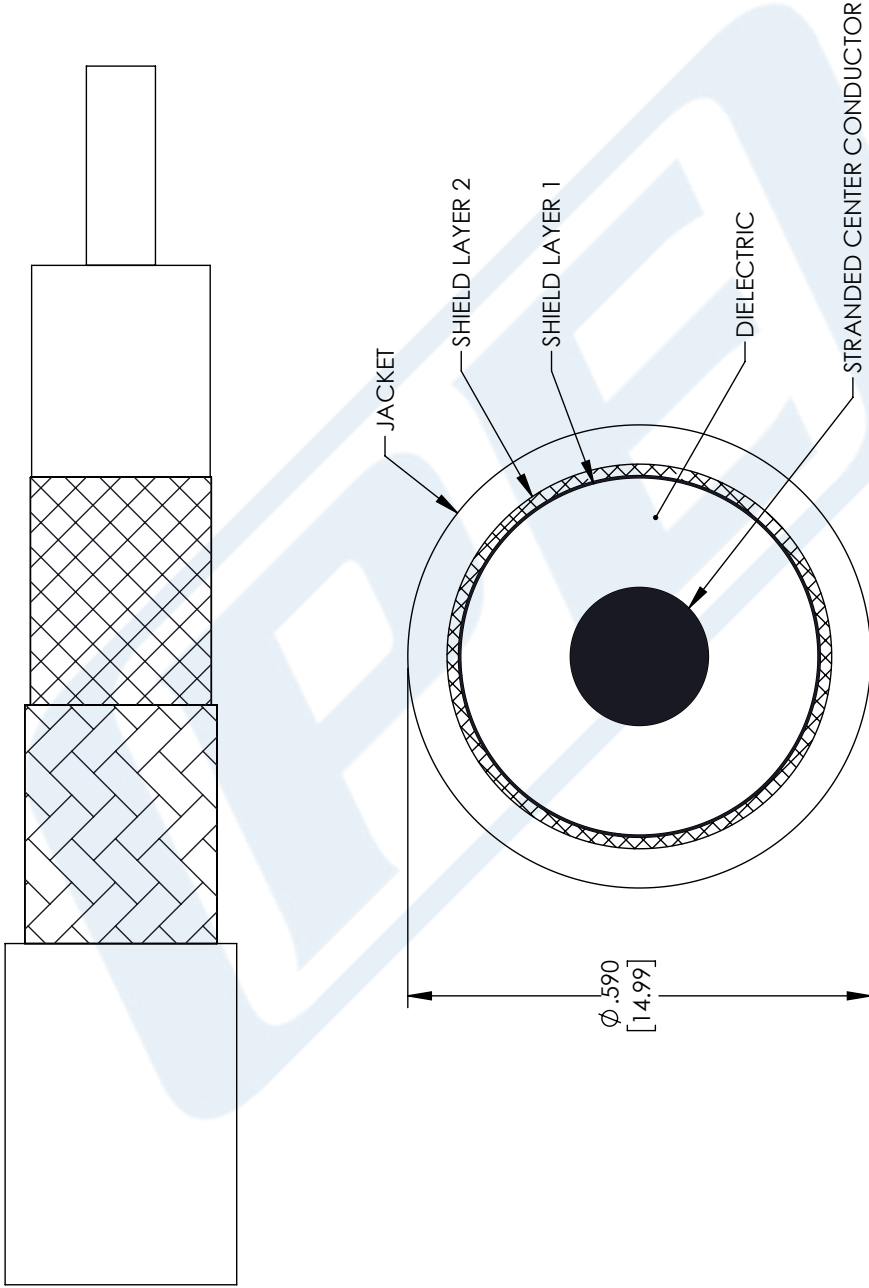
Click the following link (or enter part number in "SEARCH" on website) to obtain additional part information including price, inventory and certifications: [Low Loss Flexible LMR-600-UF Outdoor Rated Coax Cable Double Shielded with Black TPE Jacket Ultra Flex LMR-600-UF](#)

URL: <https://www.pasternack.com/low-loss-flexible-lmr-600-uf-tpe-jacket-aluminum-tape-over-tinned-copper-outer-conductor-double-shielded-lmr-600-uf-p.aspx>

The information contained in this document is accurate to the best of our knowledge and representative of the part described herein. It may be necessary to make modifications to the part and/or the documentation of the part, in order to implement improvements. Pasternack reserves the right to make such changes as required. Unless otherwise stated, all specifications are nominal. Pasternack does not make any representation or warranty regarding the suitability of the part described herein for any particular purpose, and Pasternack does not assume any liability arising out of the use of any part or documentation.

TIMES MICROWAVE SYSTEMS **LMR-600-UF CAD Drawing**
 Low Loss Flexible LMR-600-UF Outdoor Rated Coax Cable
 Double Shielded with Black TPE Jacket Ultra Flex

| REVISIONS | | | |
|-----------|-----------------|------------|----------|
| REV. | DESCRIPTION | DATE | APPROVED |
| A | INITIAL RELEASE | 06-04-2021 | SELLIS |



UNLESS OTHERWISE SPECIFIED
 LEADING DIMENSIONS ARE INCHES
 DIMENSIONS IN [] ARE MILLIMETERS

TOLERANCES:
 .X = ±.2 [.008] FRACTIONS ± 1/32
 .XX = ±.02 [.51] ANGLES ± 1°
 .XXX = ±.005 [.13]

CABLE LENGTH (L), TOLERANCES:
 L ≤ 12 [305] = +1 [25] / -0
 12 [305] < L ≤ 60 [1524] = +2 [51] / -0
 60 [1524] < L ≤ 120 [3048] = +4 [102] / -0
 120 [3048] < L ≤ 300 [7620] = +6 [152] / -0
 300 [7620] < L = +5% / -0

ALL DIMENSIONS SHOWN
 ARE FOR REFERENCE ONLY.

PE PASTERNAK
 an INFINITI brand

Pasternack Enterprises, Inc.
 P. O. Box 16759, Irvine, CA 92623.
 Phone: 1.949.261.1920 | 1.866.727.8376
 Fax: 1.949.261.7451
 Website: www.pasternack.com
 E-mail: sales@pasternack.com

SIZE [CAGE CODE] DRAWN BY ITEM NO.
 A 53919 MVEERAPPAN LMR-600-UF

THIRD-ANGLE PROJECTION

THE INFORMATION AND DESIGN IN THIS DOCUMENT IS THE PROPERTY OF PASTERNAK CORPORATION ALL RIGHTS RESERVED.

SHEET 1 OF 1

SCALE N/A

REV A

THESE COMMODITIES, TECHNOLOGY OR SOFTWARE WERE EXPORTED FROM THE UNITED STATES IN ACCORDANCE WITH THE EXPORT ADMINISTRATION REGULATIONS. DIVERSION CONTRARY TO U.S. LAW PROHIBITED.