



RP SMA Female Bulkhead Connector Clamp/Solder Attachment For RG178, RG196, .235 inch D Hole

TECHNICAL DATA SHEET

PE4861

**RP SMA Female Bulkhead Connector Clamp/Solder Attachment For RG178, RG196, .235 inch D Hole**

**Configuration**

|  |                             |
|--|-----------------------------|
| Connector                                | SMA Female Reverse Polarity |
| Connector Specification                  | MIL-C-39012                 |
| Connector Interface Type                 | RG178, RG196                |
| Cable Attachment Method (Shield/Contact) | Clamp/Solder                |
| Body Style                               | Straight                    |
| Mount Method                             | Bulkhead                    |

**Electrical Specifications**

|                 |    |
|-----------------|----|
| Impedance, Ohms | 50 |
|-----------------|----|

**Mechanical Specifications**

**Temperature**

|                        |             |
|------------------------|-------------|
| Operating Range, deg C | -65 to +165 |
|------------------------|-------------|

**Size**

|                     |               |
|---------------------|---------------|
| Length, in [mm]     | 0.875 [22.23] |
| Width/Dia., in [mm] | 0.312 [7.92]  |
| Weight, lbs [g]     | 0.013 [5.9]   |

**Connector**

|                               |                             |
|-------------------------------|-----------------------------|
| Type                          | SMA Female Reverse Polarity |
| Contact Material and Plating  | Gold                        |
| Contact Plating Specification | MIL-G-45204                 |
| Body Material and Plating     | Brass, Nickel               |
| Dielectric Type               | Teflon                      |

**Compliance Certifications** (visit [www.Pasternack.com](http://www.Pasternack.com) for current document)

|                |     |
|----------------|-----|
| RoHS Compliant | Yes |
|----------------|-----|

Click the following link (or enter part number in "SEARCH" on website) to obtain additional part information including price, inventory and certifications: [RP SMA Female Bulkhead Connector Clamp/Solder Attachment For RG178, RG196, .235 inch D Hole PE4861](#)

The information contained in this document is accurate to the best of our knowledge and representative of the part described herein. It may be necessary to make modifications to the part and/or the documentation of the part, in order to implement improvements. Pasternack reserves the right to make such changes as required. Unless otherwise stated, all specifications are nominal.



RP SMA Female Bulkhead Connector Clamp/Solder  
Attachment For RG178, RG196, .235 inch D Hole

TECHNICAL DATA SHEET

PE4861

**Plotted and Other Data**

Notes:

Values at 25 °C, sea level

RP SMA Female Bulkhead Connector Clamp/Solder Attachment For RG178, RG196, .235 inch D Hole from Pasternack Enterprises has same day shipment for domestic and International orders. Our RF, microwave and fiber optic products maintain a 99% availability and are part of the broadest selection in the industry.

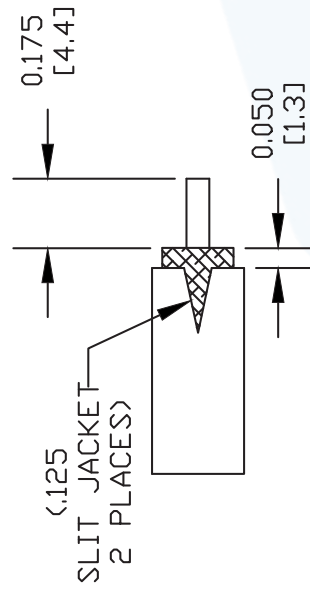
Click the following link (or enter part number in "SEARCH" on website) to obtain additional part information including price, inventory and certifications: [RP SMA Female Bulkhead Connector Clamp/Solder Attachment For RG178, RG196, .235 inch D Hole PE4861](http://www.pasternack.com/sma-female-reverse-polarity-rg178-rg196-connector-pe4861-p.aspx)

URL: <http://www.pasternack.com/sma-female-reverse-polarity-rg178-rg196-connector-pe4861-p.aspx>

The information contained in this document is accurate to the best of our knowledge and representative of the part described herein. It may be necessary to make modifications to the part and/or the documentation of the part, in order to implement improvements. Pasternack reserves the right to make such changes as required. Unless otherwise stated, all specifications are nominal.

# PE4861 CAD Drawing

RP SMA Female Bulkhead Connector Clamp/Solder  
Attachment For RG178, RG196, .235 inch D Hole

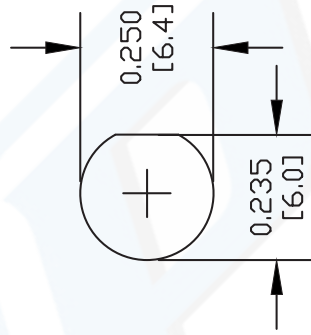
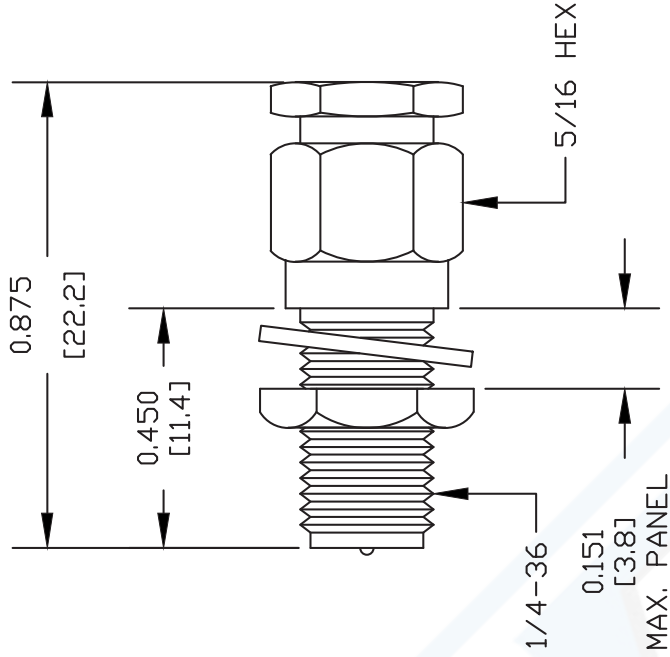


## STRIPPING DIMENSIONS



## ASSEMBLY PROCEDURES

1. SLIDE CLAMP NUT OVER CABLE STRIP CABLE AS SHOWN & TIN CENTER CONDUCTOR.
2. FLAIR BRAID THEN INSERT BRAID CLAMP & CONTACT UNDER BRAID AND JACKET WITH CENTER CONDUCTOR PROTRUDING THROUGH HOLE.
3. SOLDER CONTACT TO CENTER CONDUCTOR. INSTALL CABLE ASSEMBLY INTO BODY & TIGHTEN.



DWG TITLE

**PE4861**

NOTES:  
1. UNLESS OTHERWISE SPECIFIED ALL DIMENSIONS ARE NOMINAL.  
2. ALL SPECIFICATIONS ARE SUBJECT TO CHANGE WITHOUT NOTICE AT ANY TIME.  
3. DIMENSIONS ARE IN INCHES [mm].  
4. FITS MIL-C-17 AND EQUIVALENT CABLES.

FSCM NO. 53919

CAD FILE 061102

SCALE N/A

SIZE A

XXXX



**PASTERNAK**<sup>®</sup>  
Pasternack Enterprises, Inc.  
P.O. Box 16759 | Irvine | CA | 92623  
Phone: (949) 261-1920 | Fax: (949) 261-7451  
Website: [www.pasternack.com](http://www.pasternack.com) | E-Mail: [sales@pasternack.com](mailto:sales@pasternack.com)

## Flexible RG178 Coax Cable Single Shielded with Tan FEP Jacket

### RF Cables Technical Data Sheet

RG178B/U

#### Configuration

- Flexible Cable
- 1 Shield(s)

#### Electrical Specifications

| Description             | Minimum | Typical      | Maximum | Units        |
|-------------------------|---------|--------------|---------|--------------|
| Frequency Range         | DC      |              | 3       | GHz          |
| Impedance               |         | 50           |         | Ohms         |
| Velocity of Propagation |         | 70           |         | %            |
| Operating Voltage (AC)  |         |              | 1,000   | Vrms         |
| Nominal Capacitance     |         | 29.4 [96.46] |         | pF/ft [pF/m] |

#### Performance by Frequency Band

| Description      | F1    | F2    | F3    | F4     | F5 | Units    |
|------------------|-------|-------|-------|--------|----|----------|
| Frequency        | 0.1   | 0.4   | 1     | 3      |    | GHz      |
| Attenuation, Typ | 13.81 | 27.8  | 44.41 | 78.4   |    | dB/100ft |
|                  | 45.31 | 91.21 | 145.7 | 257.22 |    | dB/100m  |

#### Mechanical Specifications

|                             |                          |
|-----------------------------|--------------------------|
| Diameter                    | 0.072 in [1.83 mm]       |
| Weight                      | 0.005 lbs/ft [0.01 Kg/m] |
| Min. Bend Radius (Repeated) | 0.4 in [10.16 mm]        |

#### Construction Specifications

| Description     | Material and Plating                 | Diameter           |
|-----------------|--------------------------------------|--------------------|
| Inner Conductor | Copper Clad Steel, Silver, 7 Strands | 0.012 in [0.3 mm]  |
| Conductor Type  | Stranded                             |                    |
| Dielectric      | PTFE                                 | 0.034 in [0.86 mm] |
| First Shield    | Silver Plated Copper Braid           | 0.051 in [1.3 mm]  |

Click the following link (or enter part number in "SEARCH" on website) to obtain additional part information including price, inventory and certifications: [Flexible RG178 Coax Cable Single Shielded with Tan FEP Jacket RG178B/U](#)

## Flexible RG178 Coax Cable Single Shielded with Tan FEP Jacket

### RF Cables Technical Data Sheet

RG178B/U

|        |          |                    |
|--------|----------|--------------------|
| Jacket | FEP, Tan | 0.072 in [1.83 mm] |
|--------|----------|--------------------|

#### Environmental Specifications

##### Temperature

Operating Range -55 to +200 deg C

**Compliance Certifications** (see [product page](#) for current document)

#### Plotted and Other Data

Notes:

Flexible RG178 Coax Cable Single Shielded with Tan FEP Jacket from Pasternack Enterprises has same day shipment for domestic and International orders. Our RF, microwave and millimeter wave products maintain a 99.4% availability and are part of the broadest selection in the industry.

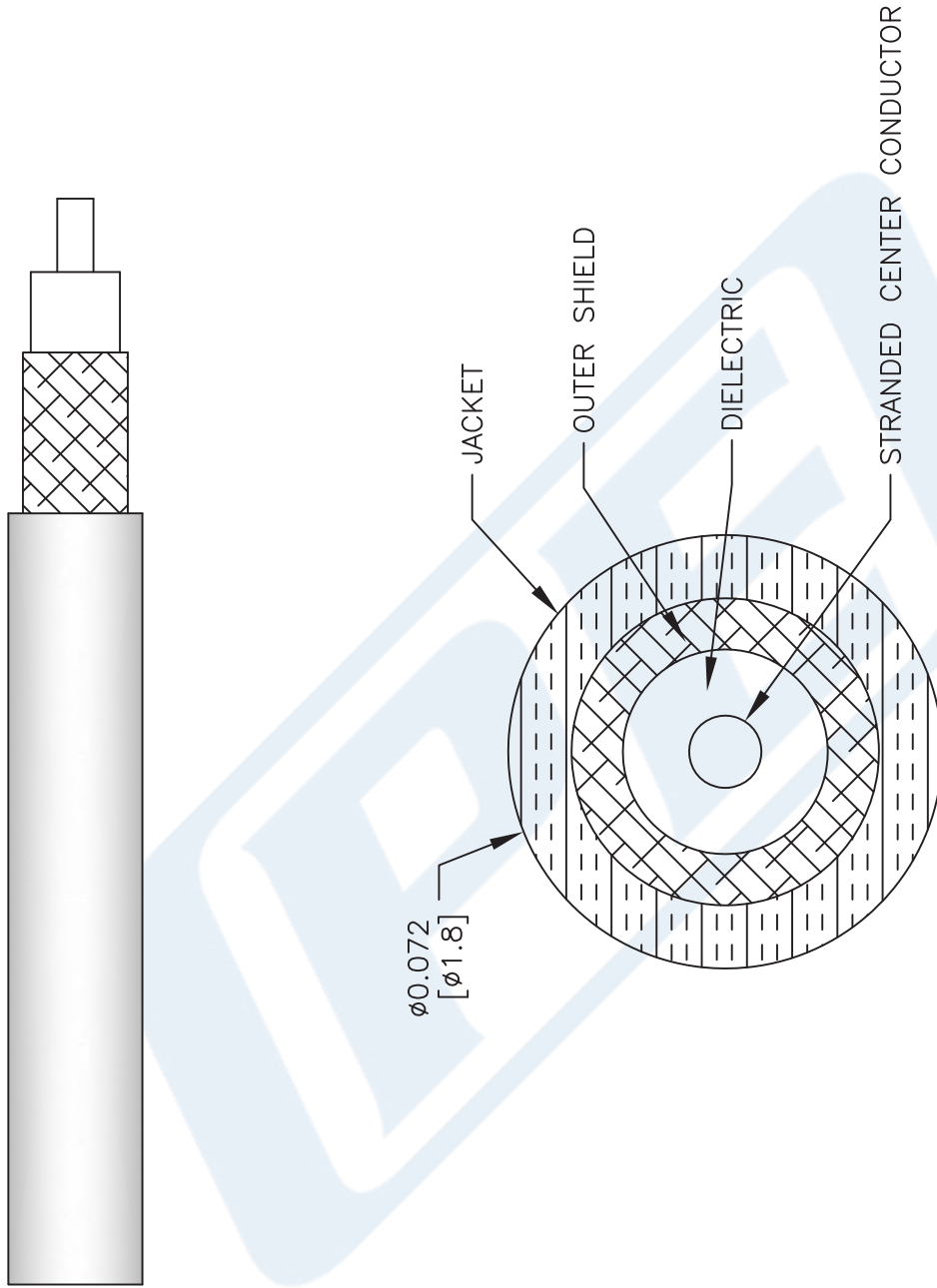
Click the following link (or enter part number in "SEARCH" on website) to obtain additional part information including price, inventory and certifications: [Flexible RG178 Coax Cable Single Shielded with Tan FEP Jacket RG178B/U](#)

URL: <https://www.pasternack.com/flexible-0.075-rg178-50-ohm-coax-cable-fep-jacket-rg178b-u-p.aspx>

The information contained in this document is accurate to the best of our knowledge and representative of the part described herein. It may be necessary to make modifications to the part and/or the documentation of the part, in order to implement improvements. Pasternack reserves the right to make such changes as required. Unless otherwise stated, all specifications are nominal. Pasternack does not make any representation or warranty regarding the suitability of the part described herein for any particular purpose, and Pasternack does not assume any liability arising out of the use of any part or documentation.

# RG178B/U CAD Drawing

Flexible RG178 Coax Cable Single Shielded with Tan FEP Jacket



NOTES:  
1. UNLESS OTHERWISE SPECIFIED ALL DIMENSIONS ARE NOMINAL.  
2. ALL SPECIFICATIONS ARE SUBJECT TO CHANGE WITHOUT NOTICE AT ANY TIME.  
3. DIMENSIONS ARE IN INCHES [mm].

DWG TITLE  
**RG178B/U**

CAGE CODE 53919

CAD FILE 062117

SCALE N/A

SIZE A

2233

**PE PASTERNAK**  
THE ENGINEER'S RF SOURCE  
Pasternack Enterprises, Inc.  
P.O. Box 16759 | Irvine | CA | 92623  
Phone: (949) 261-1920 | Fax: (949) 261-7451  
Website: www.pasternack.com | E-Mail: sales@pasternack.com