



SMP Female Connector Solder Attachment for .086 Microporous

TECHNICAL DATA SHEET

PE44917

Configuration

Connector	SMP Female
Connector Specification	MIL-STD-348
Connector Interface Type	.086 Microporous
Attachment Method (Shield/Contact)	Solder/Solder
Body Style	Straight

Electrical Specifications

Impedance	50 Ohms
-----------	---------

Mechanical Specifications

Size

Length	0.25 in [6.35 mm]
Width/Dia.	0.134 in [3.40 mm]
Weight	0.082 lbs [37.19 g]

Connector

Type	SMP Female
Contact Material and Plating	Beryllium Copper, Gold
Contact Plating Specification	MIL-G-45204
Body Material and Plating	Beryllium Copper, Gold
Body Plating Specification	MIL-G-45204
Dielectric Type	PTFE

Compliance Certifications (visit www.Pasternack.com for current document)

RoHS Compliant

Click the following link (or enter part number in "SEARCH" on website) to obtain additional part information including price, inventory and certifications: [SMP Female Connector Solder Attachment for .086 Microporous PE44917](#)



SMP Female Connector Solder Attachment for .086 Microporous

TECHNICAL DATA SHEET

PE44917

Plotted and Other Data

Notes:

- Values at +25 °C, sea level

SMP Female Connector Solder Attachment for .086 Microporous from Pasternack Enterprises has same day shipment for domestic and International orders. Our RF, microwave and millimeter wave products maintain a 99% availability and are part of the broadest selection in the industry.

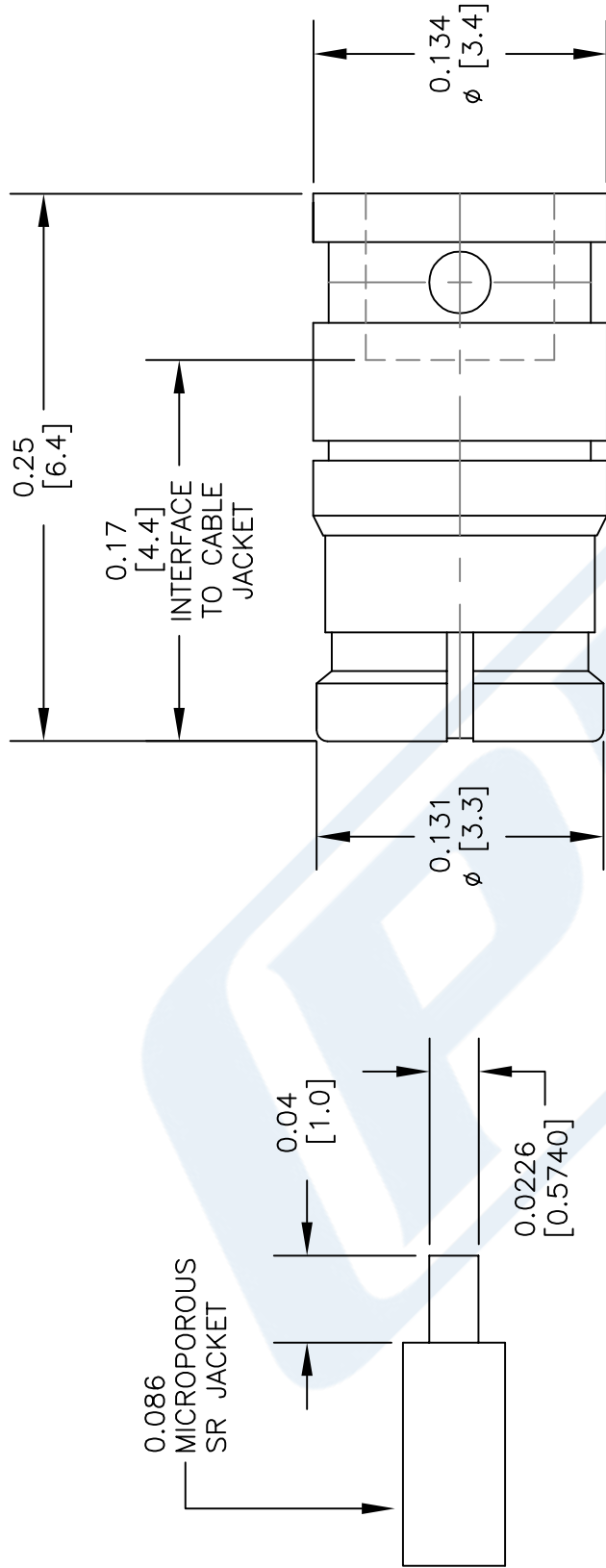
Click the following link (or enter part number in "SEARCH" on website) to obtain additional part information including price, inventory and certifications: [SMP Female Connector Solder Attachment for .086 Microporous PE44917](http://www.pasternack.com/smp-female-standard-.086-microporous-connector-pe44917-p.aspx)

URL: <http://www.pasternack.com/smp-female-standard-.086-microporous-connector-pe44917-p.aspx>

The information contained in this document is accurate to the best of our knowledge and representative of the part described herein. It may be necessary to make modifications to the part and/or the documentation of the part, in order to implement improvements. Pasternack reserves the right to make such changes as required. Unless otherwise stated, all specifications are nominal. Pasternack does not make any representation or warranty regarding the suitability of the part described herein for any particular purpose, and Pasternack does not assume any liability arising out of the use of any part or documentation.

PE44917 CAD Drawing

SMP Female Connector Solder Attachment for .086 Microporous



STRIPPING DIMENSIONS

DWG TITLE

PE44917

- NOTES:
1. UNLESS OTHERWISE SPECIFIED ALL DIMENSIONS ARE NOMINAL.
 2. ALL SPECIFICATIONS ARE SUBJECT TO CHANGE WITHOUT NOTICE AT ANY TIME.
 3. DIMENSIONS ARE IN INCHES [mm].

FSCM NO. 53919

CAD FILE

032514

SCALE N/A

SIZE A

150



Pasternack Enterprises, Inc.
 P.O. Box 16759 | Irvine | CA | 92623
 Phone: (949) 261-1920 | Fax: (949) 261-7451
 Website: www.pasternack.com | E-Mail: sales@pasternack.com



SMP Female Connector Solder Attachment for .086 Microporous

TECHNICAL DATA SHEET

PE44917

Configuration

Connector	SMP Female
Connector Specification	MIL-STD-348
Connector Interface Type	.086 Microporous
Attachment Method (Shield/Contact)	Solder/Solder
Body Style	Straight

Electrical Specifications

Impedance	50 Ohms
-----------	---------

Mechanical Specifications

Size

Length	0.25 in [6.35 mm]
Width/Dia.	0.134 in [3.40 mm]
Weight	0.082 lbs [37.19 g]

Connector

Type	SMP Female
Contact Material and Plating	Beryllium Copper, Gold
Contact Plating Specification	MIL-G-45204
Body Material and Plating	Beryllium Copper, Gold
Body Plating Specification	MIL-G-45204
Dielectric Type	PTFE

Compliance Certifications (visit www.Pasternack.com for current document)

RoHS Compliant

Click the following link (or enter part number in "SEARCH" on website) to obtain additional part information including price, inventory and certifications: [SMP Female Connector Solder Attachment for .086 Microporous PE44917](#)



SMP Female Connector Solder Attachment for .086 Microporous

TECHNICAL DATA SHEET

PE44917

Plotted and Other Data

Notes:

- Values at +25 °C, sea level

SMP Female Connector Solder Attachment for .086 Microporous from Pasternack Enterprises has same day shipment for domestic and International orders. Our RF, microwave and millimeter wave products maintain a 99% availability and are part of the broadest selection in the industry.

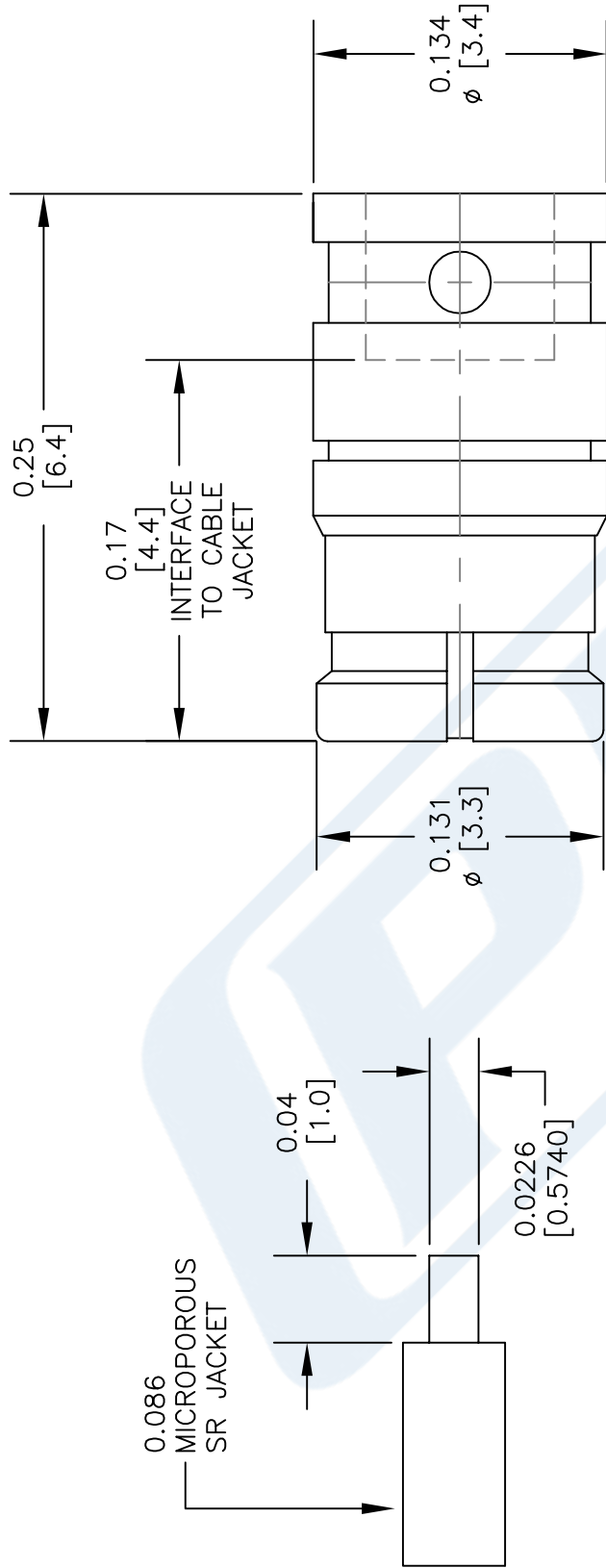
Click the following link (or enter part number in "SEARCH" on website) to obtain additional part information including price, inventory and certifications: [SMP Female Connector Solder Attachment for .086 Microporous PE44917](http://www.pasternack.com/smp-female-standard-.086-microporous-connector-pe44917-p.aspx)

URL: <http://www.pasternack.com/smp-female-standard-.086-microporous-connector-pe44917-p.aspx>

The information contained in this document is accurate to the best of our knowledge and representative of the part described herein. It may be necessary to make modifications to the part and/or the documentation of the part, in order to implement improvements. Pasternack reserves the right to make such changes as required. Unless otherwise stated, all specifications are nominal. Pasternack does not make any representation or warranty regarding the suitability of the part described herein for any particular purpose, and Pasternack does not assume any liability arising out of the use of any part or documentation.

PE44917 CAD Drawing

SMP Female Connector Solder Attachment for .086 Microporous



STRIPPING DIMENSIONS

DWG TITLE

PE44917

FSCM NO. 53919

NOTES:
 1. UNLESS OTHERWISE SPECIFIED ALL DIMENSIONS ARE NOMINAL.
 2. ALL SPECIFICATIONS ARE SUBJECT TO CHANGE WITHOUT NOTICE AT ANY TIME.
 3. DIMENSIONS ARE IN INCHES [mm].

CAD FILE

032514

SCALE

N/A

SIZE

A 150



Pasternack Enterprises, Inc.
 P.O. Box 16759 | Irvine | CA | 92623

Phone: (949) 261-1920 | Fax: (949) 261-7451

Website: www.pasternack.com | E-Mail: sales@pasternack.com

Low Loss Flexible Version 086 Semi-rigid Coax Cable Double Shielded with Gray FEP Jacket

TECHNICAL DATA SHEET

PE-P086LL

Low Loss Flexible Version 086 Semi-rigid Coax Cable Double Shielded with Gray FEP Jacket

Configuration

Cable Design	Low Loss
Inner Conductor Material and Plating	Copper, Silver
Dielectric Type	FEP (AS)
Shield Materials	Silver Plated Copper Tape, Silver Plated Copper Braid
Jacket Material and Color	FEP, Gray

Electrical Specifications

Impedance, Ohms	50
Velocity of Propagation, %	85
Time Delay, ns/ft [ns/m]	1.18 [3.87]
Maximum Operating Frequency, GHz	18
Capacitance, pF/ft [pF/m]	23.4 [76.77]

Mechanical Specifications

Inner Conductor

Number of Strands	1
Material	Copper
Plating	Silver
Diameter, in [mm]	0.025 [0.64]

Dielectric:

Type	FEP (AS)
Diameter, in [mm]	0.066 [1.68]

Shield:

Number of	2
Material 1	Silver Plated Copper Tape
Material 2	Silver Plated Copper Braid
Diameter, in [mm]	0.086 [2.18]

Jacket:

Material	FEP
Diameter, in [mm]	0.101 [2.57]
Color	Gray
Weight, lbs/ft [Kg/m]	0.013 [0.02]

Compliance Certifications (visit www.Pasternack.com for current document)

RoHS Compliant	Yes
----------------	-----

Click the following link (or enter part number in "SEARCH" on website) to obtain additional part information including price, inventory and certifications: [Low Loss Flexible Version 086 Semi-rigid Coax Cable Double Shielded with Gray FEP Jacket PE-P086LL](#)

The information contained in this document is accurate to the best of our knowledge and representative of the part described herein. It may be necessary to make modifications to the part and/or the documentation of the part, in order to implement improvements. Pasternack reserves the right to make such changes as required. Unless otherwise stated, all specifications are nominal.

Low Loss Flexible Version 086 Semi-rigid Coax Cable Double Shielded with Gray FEP Jacket

TECHNICAL DATA SHEET

PE-P086LL

Plotted and Other Data

Notes:

Values at 25 °C, sea level

FEP (AS) Dielectric is equivalent to an FEP Core Tube over Dual Monofilaments twisted in a pair and helically wrapped to create an Air Space

Low Loss Flexible Version 086 Semi-rigid Coax Cable Double Shielded with Gray FEP Jacket from Pasternack Enterprises has same day shipment for domestic and International orders. Our RF, microwave and fiber optic products maintain a 99% availability and are part of the broadest selection in the industry.

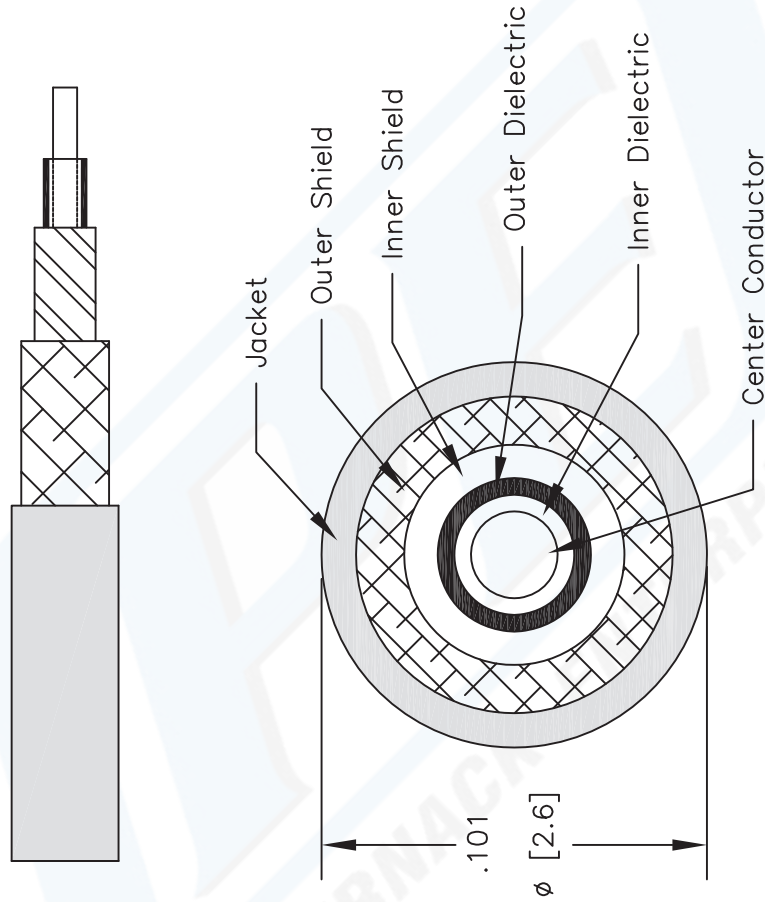
Click the following link (or enter part number in "SEARCH" on website) to obtain additional part information including price, inventory and certifications: [Low Loss Flexible Version 086 Semi-rigid Coax Cable Double Shielded with Gray FEP Jacket PE-P086LL](#)

URL: <http://www.pasternack.com/low-loss-0.101-semirigid-replacement-50-ohm-coax-cable-fep-jacket-pe-p086ll-p.aspx>

The information contained in this document is accurate to the best of our knowledge and representative of the part described herein. It may be necessary to make modifications to the part and/or the documentation of the part, in order to implement improvements. Pasternack reserves the right to make such changes as required. Unless otherwise stated, all specifications are nominal.

PE-P086LL CAD Drawing

Low Loss Flexible Version 086 Semi-rigid Coax Cable
Double Shielded with Gray FEP Jacket



DWG TITLE

PE-P086LL

FSCM NO. 53919

NOTES:
1. UNLESS OTHERWISE SPECIFIED ALL DIMENSIONS ARE NOMINAL.
2. ALL SPECIFICATIONS ARE SUBJECT TO CHANGE WITHOUT NOTICE AT ANY TIME.
3. DIMENSIONS ARE IN INCHES [mm].

CAD FILE 100912-C

SCALE N/A

SIZE A

2233



Pasternack Enterprises, Inc.
P.O. Box 16759 | Irvine | CA | 92623
Phone: (949) 261-1920 | Fax: (949) 261-7451
Website: www.pasternack.com | E-Mail: sales@pasternack.com