



SMC Plug Right Angle Connector Clamp/Solder Attachment for RG174, RG316, RG188, LMR-100, PE-B100, PE-C100, 0.100 inch

## RF Connectors Technical Data Sheet

PE4262

### Configuration

- SMC Plug Connector
- MIL-STD-348A
- 50 Ohms
- Right Angle Body Geometry
- RG174, RG316, RG188, LMR-100, PE-B100, PE-C100, 0.100 inch Interface Type
- Clamp/Solder Attachment
- 1/4 inch Hex

### Features

- Max. Operating Frequency 10 GHz
- Gold Plated Beryllium Copper Contact
- 30 µm minimum contact plating

### Applications

- General Purpose Test
- Custom Cable Assemblies

### Description

Pasternack's PE4262 SMC plug right angle connector with clamp/solder attachment for RG174, RG316, RG188, LMR-100, PE-B100, PE-C100 and 0.100 inch is part of our full line of RF components available for same-day shipping. Our SMC plug connector operates up to a maximum frequency of 10 GHz. Its right angle body geometry allows for easier connections in tight spaces.

Our SMC plug right angle connector PE4262 datasheet specifications and drawing with dimensions are shown below in this PDF. Pasternack's broad catalog of RF, microwave and millimeter wave connectors allows designers to configure and customize their signal connections however they like. Whether the need is to provide an I/O for a board design, or simply create a custom cable assembly configuration, Pasternack has the right connector for the job. Pasternack can also expertly build your custom cable assemblies for you and ship same-day.

### Electrical Specifications

| Description            | Minimum | Typical | Maximum | Units |
|------------------------|---------|---------|---------|-------|
| Frequency Range        | DC      |         | 10      | GHz   |
| Operating Voltage (AC) |         |         | 335     | Vrms  |

### Performance by Frequency

| Description     | F1      | F2 | F3 | F4 | F5 | Units |
|-----------------|---------|----|----|----|----|-------|
| Frequency Range | DC to 6 |    |    |    |    | GHz   |
| VSWR, Max       | 1.3:1   |    |    |    |    |       |

Click the following link (or enter part number in "SEARCH" on website) to obtain additional part information including price, inventory and certifications: [SMC Plug Right Angle Connector Clamp/Solder Attachment for RG174, RG316, RG188, LMR-100, PE-B100, PE-C100, 0.100 inch PE4262](#)



SMC Plug Right Angle Connector Clamp/Solder Attachment for RG174, RG316, RG188, LMR-100, PE-B100, PE-C100, 0.100 inch

RF Connectors Technical Data Sheet

PE4262

**Mechanical Specifications**

|               |                                 |
|---------------|---------------------------------|
| <b>Size</b>   |                                 |
| Length        | 0.54 in [13.72 mm]              |
| Width/Dia.    | 0.25 in [6.35 mm]               |
| Height        | 0.488 in [12.4 mm]              |
| Weight        | 0.014 lbs [6.35 g]              |
| Mating Torque | 3 to 5 in-lbs [0.34 to 0.57 Nm] |

**Material Specifications**

| Description  | Material         | Plating                   |
|--------------|------------------|---------------------------|
| Contact      | Beryllium Copper | Gold<br>30 µin minimum    |
| Insulation   | PTFE             |                           |
| Body         | Brass            | Nickel<br>100 µin minimum |
| Coupling Nut | Brass            | Nickel<br>100 µin minimum |

**Environmental Specifications**

|                    |                   |
|--------------------|-------------------|
| <b>Temperature</b> |                   |
| Operating Range    | -65 to +165 deg C |

Click the following link (or enter part number in "SEARCH" on website) to obtain additional part information including price, inventory and certifications: [SMC Plug Right Angle Connector Clamp/Solder Attachment for RG174, RG316, RG188, LMR-100, PE-B100, PE-C100, 0.100 inch PE4262](#)



SMC Plug Right Angle Connector Clamp/Solder Attachment for RG174, RG316, RG188, LMR-100, PE-B100, PE-C100, 0.100 inch

## RF Connectors Technical Data Sheet

PE4262

**Compliance Certifications** (see [product page](#) for current document)

### Plotted and Other Data

Notes:

SMC Plug Right Angle Connector Clamp/Solder Attachment for RG174, RG316, RG188, LMR-100, PE-B100, PE-C100, 0.100 inch from Pasternack Enterprises has same day shipment for domestic and International orders. Our RF, microwave and millimeter wave products maintain a 99% availability and are part of the broadest selection in the industry.

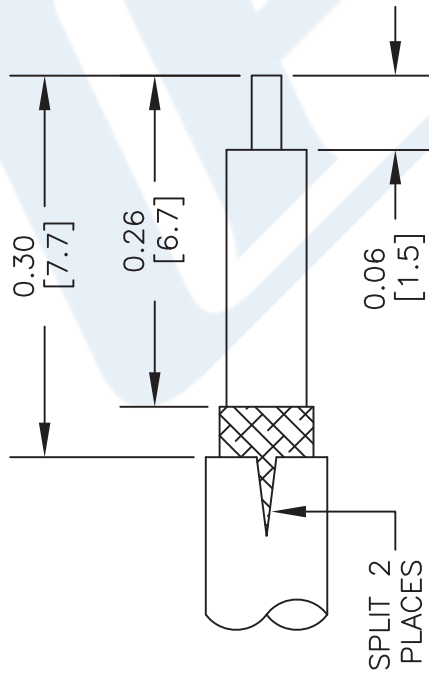
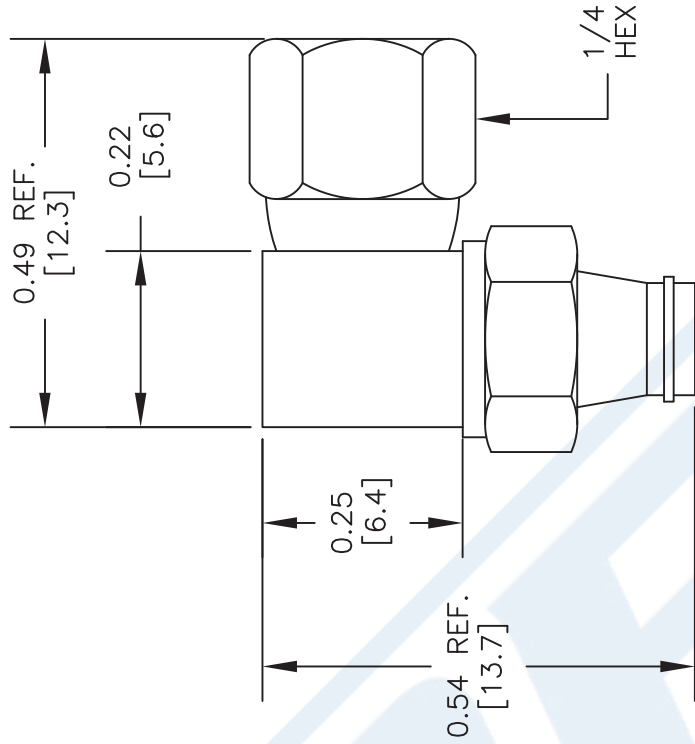
Click the following link (or enter part number in "SEARCH" on website) to obtain additional part information including price, inventory and certifications: [SMC Plug Right Angle Connector Clamp/Solder Attachment for RG174, RG316, RG188, LMR-100, PE-B100, PE-C100, 0.100 inch PE4262](#)

URL: <https://www.pasternack.com/smc-plug-standard-rg174-rg316-rg188-connector-pe4262-p.aspx>

The information contained in this document is accurate to the best of our knowledge and representative of the part described herein. It may be necessary to make modifications to the part and/or the documentation of the part, in order to implement improvements. Pasternack reserves the right to make such changes as required. Unless otherwise stated, all specifications are nominal. Pasternack does not make any representation or warranty regarding the suitability of the part described herein for any particular purpose, and Pasternack does not assume any liability arising out of the use of any part or documentation.

# PE4262 CAD Drawing

SMC Plug Right Angle Connector Clamp/Solder Attachment for RG174, RG316, RG188, LMR-100, PE-B100, PE-C100, 0.100 inch



## STRIPPING DIMENSIONS ASSEMBLY PROCEDURES

1. STRIP CABLE AS SHOWN. DO NOT NICK CENTER CONDUCTOR. TIN CENTER CONDUCTOR. SLIT JACKET IN 2 PLACES.
2. SLIDE CLAMP NUT OVER CABLE. FLAIR BRAID AND INSERT INTO CONE OF BODY SLIDING UNDER BRAID. SLIDE CLAMP NUT FORWARD & TIGHTEN.
3. SOLDER CENTER CONDUCTOR IN PLACE. PRESS DOWN CAP.

DWG TITLE

**PE4262**

- NOTES:
1. UNLESS OTHERWISE SPECIFIED ALL DIMENSIONS ARE NOMINAL.
  2. ALL SPECIFICATIONS ARE SUBJECT TO CHANGE WITHOUT NOTICE AT ANY TIME.
  3. DIMENSIONS ARE IN INCHES [mm].
  4. FITS MIL-C-17 AND EQUIVALENT CABLES.

REV. A

FSCM NO. 53919

CAD FILE 041712

SCALE N/A

SIZE A

2233



**PASTERNAK®**  
Pasternack Enterprises, Inc.  
P.O. Box 16759 | Irvine | CA | 92623  
Phone: (949) 261-1920 | Fax: (949) 261-7451  
Website: www.pasternack.com | E-Mail: sales@pasternack.com



RP BNC Male Right Angle Connector Crimp/Solder Attachment For RG174, RG316, RG188

TECHNICAL DATA SHEET

PE4733

**RP BNC Male Right Angle Connector Crimp/Solder Attachment For RG174, RG316, RG188**

**Configuration**

|  |                           |
|--|---------------------------|
| Connector                                | BNC Male Reverse Polarity |
| Connector Interface Type                 | RG174, RG316, RG188       |
| Cable Attachment Method (Shield/Contact) | Crimp/Solder              |
| Body Style                               | Right Angle               |

**Electrical Specifications**

|                 |    |
|-----------------|----|
| Impedance, Ohms | 50 |
|-----------------|----|

**Mechanical Specifications**

**Size**

|                     |               |
|---------------------|---------------|
| Length, in [mm]     | 1.74 [44.2]   |
| Width/Dia., in [mm] | 0.57 [14.48]  |
| Height, in [mm]     | 1.07 [27.18]  |
| Weight, lbs [g]     | 0.027 [12.25] |

**Connector**

|                                   |                           |
|-----------------------------------|---------------------------|
| Type                              | BNC Male Reverse Polarity |
| Contact Material and Plating      | Gold                      |
| Coupling Nut Material and Plating | Brass, Nickel             |
| Body Material and Plating         | Brass, Nickel             |
| Dielectric Type                   | PTFE                      |

**Compliance Certifications** (visit [www.Pasternack.com](http://www.Pasternack.com) for current document)

|                |     |
|----------------|-----|
| RoHS Compliant | Yes |
|----------------|-----|

**Plotted and Other Data**

|        |                            |
|--------|----------------------------|
| Notes: | Values at 25 °C, sea level |
|--------|----------------------------|

RP BNC Male Right Angle Connector Crimp/Solder Attachment For RG174, RG316, RG188 from Pasternack Enterprises has same day shipment for domestic and International orders. Our RF, microwave and fiber optic products maintain a 99% availability and are part of the broadest selection in the industry.

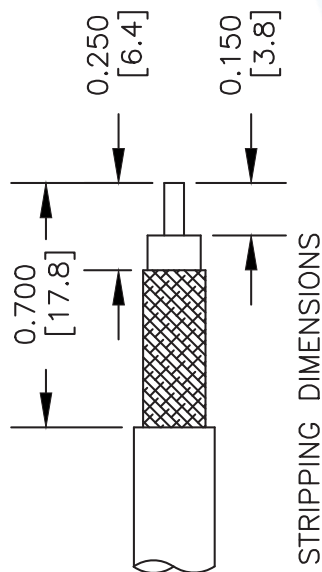
Click the following link (or enter part number in "SEARCH" on website) to obtain additional part information including price, inventory and certifications: [RP BNC Male Right Angle Connector Crimp/Solder Attachment For RG174, RG316, RG188 PE4733](http://www.pasternack.com/bnc-male-reverse-polarity-rg174-rg316-rg188-connector-pe4733-p.aspx)

URL: <http://www.pasternack.com/bnc-male-reverse-polarity-rg174-rg316-rg188-connector-pe4733-p.aspx>

The information contained in this document is accurate to the best of our knowledge and representative of the part described herein. It may be necessary to make modifications to the part and/or the documentation of the part, in order to implement improvements. Pasternack reserves the right to make such changes as required. Unless otherwise stated, all specifications are nominal.

# PE4733 CAD Drawing

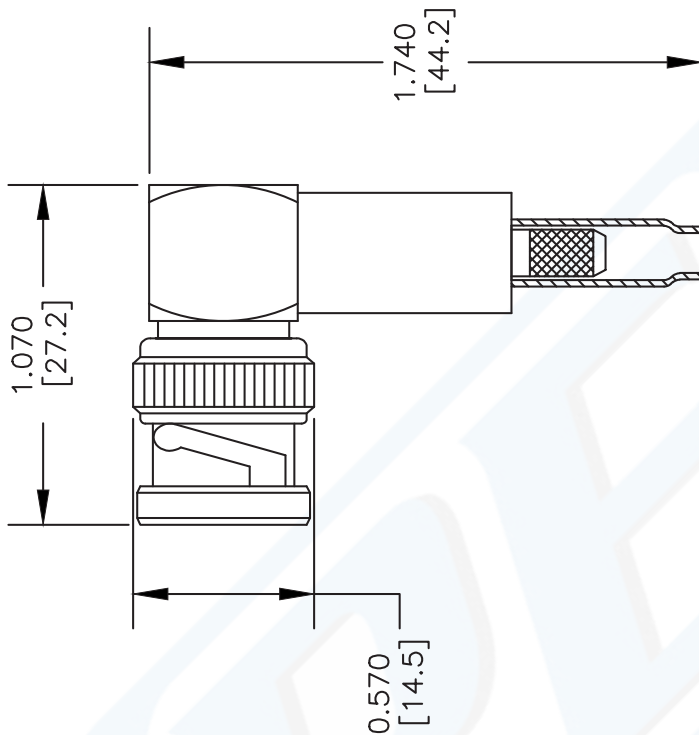
RP BNC Male Right Angle Connector Crimp/Solder  
Attachment For RG174, RG316, RG188



STRIPPING DIMENSIONS

### ASSEMBLY PROCEDURES

1. STRIP CABLE AS SHOWN & SLIDE FERRULE (1) ONTO CABLE.
2. FLARE END OF CABLE BRAID & SLIDE METAL SPACER (2) & PTFE (3) SPACER OVER CABLE DIELECTRIC.
3. THE CONTACT (4) SHOULD BUTT AGAINST THE DIELECTRIC & PTFE SPACER. CRIMP CONTACT TO CABLE CENTER CONDUCTOR.
4. INSTALL CABLE ASSEMBLY INTO BODY SO THAT THE INNER FERRULE PORTION OF BODY SLIDES UNDER BRAID. PUSH CABLE ASSEMBLY FORWARD UNTIL CONTACT SNAPS INTO PLACE. SLIDE FERRULE OVER BRAID AND UP AGAINST CONNECTOR BODY & CRIMP.



### CRIMP SIZES REQUIRED

CONTACT: .068" HEX CRIMP TOOL  
FERRULE: .178" HEX CRIMP TOOL

DWG TITLE

**PE4733**

NOTES:  
1. UNLESS OTHERWISE SPECIFIED ALL DIMENSIONS ARE NOMINAL.  
2. ALL SPECIFICATIONS ARE SUBJECT TO CHANGE WITHOUT NOTICE AT ANY TIME.  
3. DIMENSIONS ARE IN INCHES [mm].  
4. FITS MIL-C-17 AND EQUIVALENT CABLES.

**PE PASTERNAK®**  
Pasternack Enterprises, Inc.  
P.O. Box 16759 | Irvine | CA | 92623  
Phone: (949) 261-1920 | Fax: (949) 261-7451  
Website: www.pasternack.com | E-Mail: sales@pasternack.com

FSCM NO. 53919

CAD FILE 060502

SCALE N/A

SIZE A

XXXX

# LMR<sup>®</sup>-100A Flexible Low Loss Communications Coax

## Ideal for...

- Drop-in Replacement for RG-316/RG-174 (uses standard connectors)
- Jumper Assemblies in Wireless Communications Systems
- Short Antenna Feeder runs
- Any application (e.g. WLL, GPS, LMR, WLAN, WiSP, WiMax, SCADA, Mobile Antennas) requiring an easily routed, low loss RF cable

• **LMR<sup>®</sup>-PVC** is designed for low loss general-purpose indoor/outdoor applications and is somewhat more flexible than the standard polyethylene jacketed LMR.

• **LMR<sup>®</sup>-PVC-W** is a white-jacketed version of LMR-PVC for marine and other indoor/outdoor applications where color compatibility is desired.

• **Flexibility** and bendability are hallmarks of the LMR-100A cable design. The flexible outer conductor enables the tightest bend radius available for any cable of similar size and performance.

• **Low Loss** is another hallmark feature of LMR-100A. Size for size LMR has the lowest loss of any flexible cable and comparable loss to semirigid hard-line cables.

• **RF Shielding** is 50 dB greater than typical single shielded coax (40 dB). The multi-ply bonded foil outer conductor is rated conservatively at > 90 dB (i.e. >180 dB between two adjacent cables).

• **Weatherability:** LMR-100A cables designed for outdoor exposure incorporate the best materials for UV resistance and have life expectancy in excess of 20 years.

• **Connectors:** A wide variety of connectors are available for LMR-100A cable, including all common interface types, reverse polarity, and a choice of solder or non-solder center pins. Most LMR connectors employ crimp outer attachment using standard hex crimp sizes.

• **Cable Assemblies:** All LMR-100A cable types are available as pre-terminated cable assemblies. Refer to the section on FlexTech for further details.

| Part Description |                          |        |       |       | Stock |
|------------------|--------------------------|--------|-------|-------|-------|
| Part Number      | Application              | Jacket | Color | Code  |       |
| LMR-100A-FR      | Indoor/Outdoor Riser CMR | FRPE   | Black | 54037 |       |
| LMR-100A-PVC     | Indoor/Outdoor           | PVC    | Black | 54119 |       |
| LMR-100A-PVC-W   | Indoor/Outdoor           | PVC    | White | 54200 |       |

PVC = Poly Vinyl Chloride; MTO = Made to Order



| Construction Specifications |                   |       |        |
|-----------------------------|-------------------|-------|--------|
| Description                 | Material          | In.   | (mm)   |
| Inner Conductor             | Solid BCCS        | 0.018 | (0.46) |
| Dielectric                  | Solid PE          | 0.060 | (1.52) |
| Outer Conductor             | Aluminum Tape     | 0.065 | (1.65) |
| Overall Braid               | Tinned Copper     | 0.083 | (2.11) |
| Jacket                      | (see table above) | 0.110 | (2.79) |

| Mechanical Specifications |                |        |          |
|---------------------------|----------------|--------|----------|
| Performance Property      | Units          | US     | (metric) |
| Bend Radius: installation | in. (mm)       | 0.25   | (6.4)    |
| Bend Radius: repeated     | in. (mm)       | 1      | (25.4)   |
| Bending Moment            | ft-lb (N-m)    | 0.1    | (0.014)  |
| Weight                    | lb/ft (kg/m)   | 0.0092 | (.014)   |
| Tensile Strength          | lb (kg)        | 15     | (6.8)    |
| Flat Plate Crush          | lb/in. (kg/mm) | 10     | (0.18)   |

| Environmental Specifications   |          |         |
|--------------------------------|----------|---------|
| Performance Property           | °F       | °C      |
| Installation Temperature Range | -40/+185 | -40/+85 |
| Storage Temperature Range      | -94/+185 | -70/+85 |
| Operating Temperature Range    | -40/+185 | -40/+85 |

| Electrical Specifications |                   |       |          |
|---------------------------|-------------------|-------|----------|
| Performance Property      | Units             | US    | (metric) |
| Velocity of Propagation   | %                 | 66    |          |
| Dielectric Constant       | NA                | 2.30  |          |
| Time Delay                | nS/ft (nS/m)      | 1.54  | (5.05)   |
| Impedance                 | ohms              | 50    |          |
| Capacitance               | pF/ft (pF/m)      | 30.8  | (101.1)  |
| Inductance                | uH/ft (uH/m)      | 0.077 | (0.25)   |
| Shielding Effectiveness   | dB                | >90   |          |
| DC Resistance             |                   |       |          |
| Inner Conductor           | ohms/1000ft (/km) | 81.0  | (266)    |
| Outer Conductor           | ohms/1000ft (/km) | 9.5   | (31.2)   |
| Voltage Withstand         | Volts DC          | 500   |          |
| Jacket Spark              | Volts RMS         | 2000  |          |
| Peak Power                | kW                | 0.6   |          |

**Attenuation vs. Frequency (typical)**



| Frequency (MHz)              | 30    | 50    | 150   | 220   | 450   | 900   | 1500  | 1800  | 2000  | 2500  | 5800  |
|------------------------------|-------|-------|-------|-------|-------|-------|-------|-------|-------|-------|-------|
| <b>Attenuation dB/100 ft</b> | 3.9   | 5.1   | 8.9   | 10.9  | 15.8  | 22.8  | 30.1  | 33.2  | 35.2  | 39.8  | 64.1  |
| <b>Attenuation dB/100 m</b>  | 12.9  | 16.7  | 29.4  | 35.8  | 51.9  | 74.9  | 98.7  | 109.0 | 115.5 | 130.6 | 210.3 |
| <b>Avg. Power kW</b>         | 0.230 | 0.180 | 0.100 | 0.083 | 0.057 | 0.039 | 0.029 | 0.027 | 0.025 | 0.022 | 0.013 |

**Calculate Attenuation** =  $(0.709140) \cdot \sqrt{\text{FMHz}} + (0.001740) \cdot \text{FMHz}$  (interactive calculator available at <http://www.timesmicrowave/telecom>)  
**Attenuation:** VSWR=1.0 ; Ambient = +25°C (77°F) **Power:** VSWR=1.0; Ambient = +40°C; Inner Conductor = 100°C (212°F);  
 Sea Level; dry air; atmospheric pressure; no solar loading



**Connectors**

| Interface | Description   | Part Number | Stock Code | VSWR **<br>Freq. (GHz) | Coupling<br>Nut | Inner<br>Contact<br>Attach | Outer<br>Contact<br>Attach | Finish*<br>Body<br>/Pin | Length<br>in<br>(mm) | Width<br>in<br>(mm) | Weight<br>lb<br>(g) |
|-----------|---------------|-------------|------------|------------------------|-----------------|----------------------------|----------------------------|-------------------------|----------------------|---------------------|---------------------|
| SMA male  | Straight Plug | TC-100-SM   | 3190-1551  | <1.25:1 (<3)           | Hex             | Solder                     | Crimp                      | SS/G                    | 1.0<br>(25.4)        | 0.32<br>(8.1)       | 0.015<br>(6.8)      |
| TNC male  | Straight Plug | TC-100-TM   | 3190-1552  | <1.25:1 (<3)           | Knurl           | Solder                     | Crimp                      | S/G                     | 1.4<br>(35.6)        | 0.59<br>(15.0)      | 0.045<br>(20.4)     |

\* Finish metals: N=Nickel, S=Silver, G=Gold, SS=Stainless Steel, A=Alballoy \*\*VSWR spec based on 3 foot cable with a connector pair



**Install Tools**

| Type              | Part Number        | Stock Code | Description   |
|-------------------|--------------------|------------|---|
| Crimp Tool        | CT-240/200/195/100 | 3190-667   | Crimp tool for LMR-100, 195, 200 and 240 connectors |
| Cutting Tool      | CCT-01             | 3190-1544  | Cable end flush cut tool                            |
| Replacement Blade | RB-01              | 3190-1609  | Replacement blade for cutting tool                  |

