



RP SMA Male Connector Crimp/Solder Attachment for RG58

TECHNICAL DATA SHEET

PE4769

Configuration

| | |
|------------------------------------|---------------------------|
| Connector | SMA Male Reverse Polarity |
| Connector Interface Type | RG58 |
| Attachment Method (Shield/Contact) | Crimp/Solder |
| Body Style | Straight |

Electrical Specifications

| | |
|-----------|---------|
| Impedance | 50 Ohms |
|-----------|---------|

Mechanical Specifications

| | |
|--------|-------------------|
| Weight | 0.013 lbs [5.9 g] |
|--------|-------------------|

Connector

| | |
|---------------------------|---------------------------|
| Type | SMA Male Reverse Polarity |
| Body Material and Plating | Brass, Nickel |

Compliance Certifications (visit www.Pasternack.com for current document)

RoHS Compliant

Plotted and Other Data

Notes:

- Values at +25 °C, sea level

RP SMA Male Connector Crimp/Solder Attachment for RG58 from Pasternack Enterprises has same day shipment for domestic and International orders. Our RF, microwave and millimeter wave products maintain a 99% availability and are part of the broadest selection in the industry.

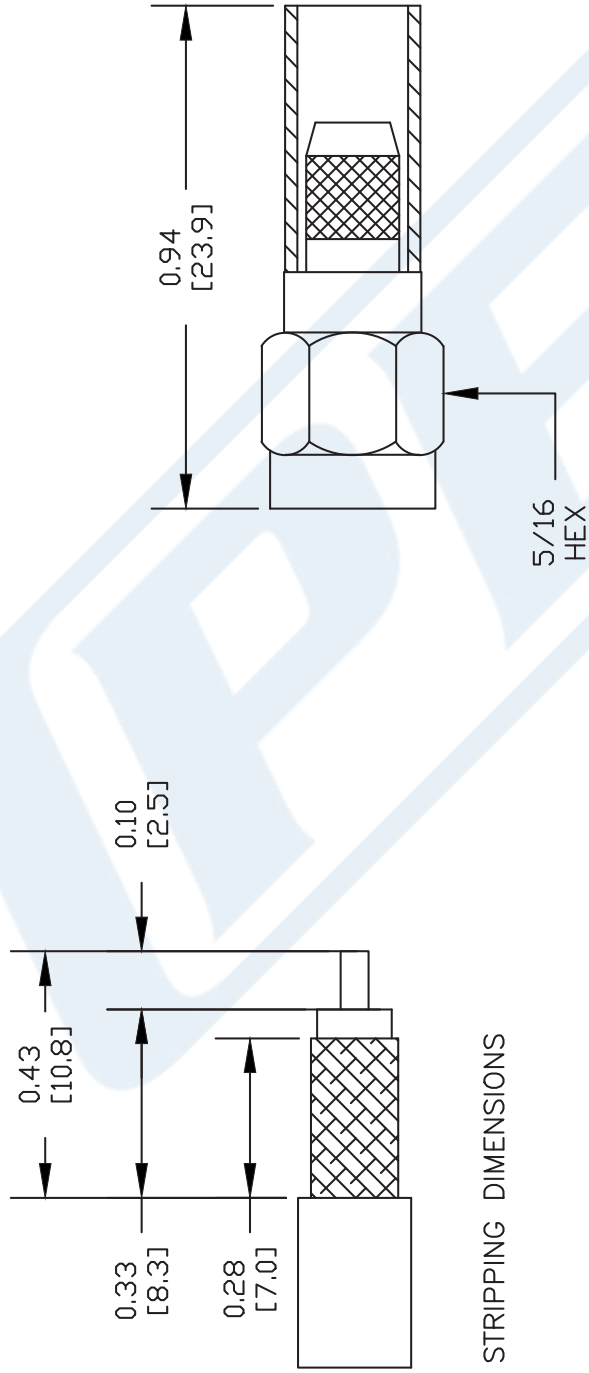
Click the following link (or enter part number in "SEARCH" on website) to obtain additional part information including price, inventory and certifications: [RP SMA Male Connector Crimp/Solder Attachment for RG58 PE4769](http://www.pasternack.com/sma-male-reverse-polarity-rg58-connector-pe4769-p.aspx)

URL: <http://www.pasternack.com/sma-male-reverse-polarity-rg58-connector-pe4769-p.aspx>

The information contained in this document is accurate to the best of our knowledge and representative of the part described herein. It may be necessary to make modifications to the part and/or the documentation of the part, in order to implement improvements. Pasternack reserves the right to make such changes as required. Unless otherwise stated, all specifications are nominal. Pasternack does not make any representation or warranty regarding the suitability of the part described herein for any particular purpose, and Pasternack does not assume any liability arising out of the use of any part or documentation.

PE4769 CAD Drawing

RP SMA Male Connector Crimp/Solder Attachment for RG58



STRIPPING DIMENSIONS

CRIMP SIZE REQUIRED

CONTACT: SOLDER
FERRULE: .213" HEX CRIMP TOOL

NOTES:
1. UNLESS OTHERWISE SPECIFIED ALL DIMENSIONS ARE NOMINAL.
2. ALL SPECIFICATIONS ARE SUBJECT TO CHANGE WITHOUT NOTICE AT ANY TIME.
3. DIMENSIONS ARE IN INCHES [mm].
4. FITS MIL-C-17 AND EQUIVALENT CABLES.

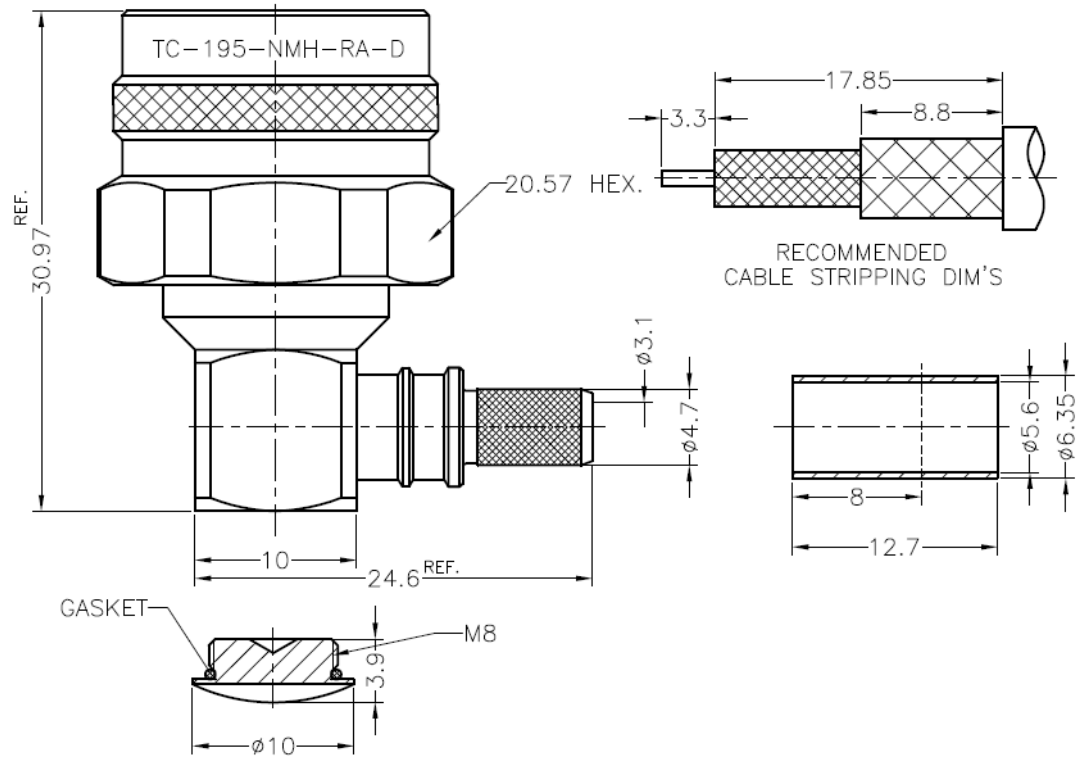
DWG TITLE
PE4769

| | | | | | |
|--------|----------------|-----------------|-----------|--------|-----|
| REV. - | FSCM NO. 53919 | CAD FILE 060602 | SCALE N/A | SIZE A | 127 |
|--------|----------------|-----------------|-----------|--------|-----|

PE PASTERNAK®
Pasternack Enterprises, Inc.
P.O. Box 16759 | Irvine | CA | 92623
Phone: (949) 261-1920 | Fax: (949) 261-7451
Website: www.pasternack.com | E-Mail: sales@pasternack.com

NOTICE OF PROPRIETARY RIGHTS THIS DOCUMENT CONTAINS CONFIDENTIAL TECHNICAL DATA, INCLUDING TRADE SECRETS, PROPRIETARY TO TIMES MICROWAVE SYSTEMS. DISCLOSURE OF THIS DATA IS EXPRESSLY CONDITIONED UPON YOUR ASSENT THAT ITS USE IS LIMITED TO USE WITHIN YOUR COMPANY ONLY. ANY OTHER USE IS STRICTLY PROHIBITED WITHOUT THE PRIOR WRITTEN CONSENT OF TIMES MICROWAVE SYSTEMS.

| | | | | | |
|-----|-------------------------|----------|---------|----------|---------|
| SYM | REVISION DESCRIPTION | DFTM | DATE | APPD | DATE |
| A | RELEASED FOR PRODUCTION | D. J. H. | 1/13/09 | J. D. B. | 1/13/09 |



ALL PARTS SATISFIED ROHS REQUIREMENTS

NOTE:
1. CRIMP THE FERRULE TO .217" HEX.

| 材料与电镀(MATERIALS AND PLATING) | | UNIT: MICRO-INCHES |
|------------------------------|------------------|---|
| 壳体,主体 BODY,SHELL | 黄铜 (BRASS C3604) | 镀三元合金80μ" ALBALOY PLATING THICK 80 MIN. |
| 中心针 CONTACT PIN | 黄铜 (BRASS C3604) | 铜底,镀金50μ" GOLD PL. 50/COPPER |
| 绝缘体: INSULATOR | 聚四氟乙烯 | TEFLON MIL-P-19468 |
| 铜管: FERRULE | 紫铜 | 镀三元合金80μ" ALBALOY PLATING THICK 80 MIN. |
| 密封圈: GASKET | 硅橡胶 | SILICONE |
| | | RED OR BLACK |

| 电气性能(ELECTRICAL CHARACTERISTICS) | |
|--|---|
| 特性阻抗 (Impedance) | 50 Ω |
| 工作电压 (Voltage rating) | 750V(rms) |
| 频率范围 (Frequency range) | 0~6GHz |
| 介电耐压 (Dielectric withstanding voltage) | 1000V |
| 接触电阻 (Contact resistance) | 内导体(Center contact): ≤3mΩ 外导体(Outer contact)≤2mΩ |
| 绝缘电阻 (Insulation resistance) | ≥5000MΩ |
| 插入损耗 (Insertion loss) | 根据电缆特性 (According as the cable) |
| 射频泄漏 (RF-leakage) | N/A |
| 电压驻波比 (VSWR) | ≤1.2 (DC-2GHz) ≤1.3 (DC-6GHz) |
| 三阶互调 (3rd Intermodulation) | --- |

| 机械特性 (MECHANICAL CHARACTERISTICS) | |
|---|----------------|
| 插入力 (Force to engage and disengage) | 6 lbs MAX. |
| 中心针保持力 (Center contact retention force) | 6 lbs MIN. |
| 螺母扭力 (Coupling torque) | 30 in-lbs MIN. |
| 螺母拉力 (Coupling nut retention force) | 100 lbs MIN. |
| 机械耐久性 (Durability) | ≥ 500 cycles |

| 环境参数 (ENVIRONMENTAL CHARACTERISTICS) | |
|--------------------------------------|-------------------------------------|
| 工作温度 (Temperature range) | -55? - +155? |
| Thermal shock | US MIL- STD 202, Meth. 107, Cond. B |
| Vibration | US MIL- STD 202, Meth. 204, Cond. B |
| Shock | US MIL- STD 202, Meth. 213, Cond. I |
| Climatic class | IEC 60068 65/165/21 |

| | | | |
|--------------|---|----------------------|---|
| MATERIAL: . | UNLESS OTHERWISE SPECIFIED | DFTM: D. J. H. | TIMES MICROWAVE SYSTEMS |
| | ALL DIMENSIONS ARE IN mm MACHINED SURFACES FINISH 1.6 RMS MAX. REMOVE ALL BURRS 0.15X45° MAX. BREAK MACHINE CORNERS 0.15X45° MAX. FILLET R. TOLERANCES ON DECIMALS .X ± 0.2 .XX ± 0.1 ANGLES ± 3° FRACTIONS ± N/A | DATE: 1/13/09 | |
| USED ON: 0-1 | | CHKD: J. D. B. | TC-195-NMH-RA-D 90° "N" MALE FOR LMR-195 CABLE |
| | | DATE: 1/13/09 | |
| | | APPD: J. D. B. | |
| SCALE: N/A | DWG. SIZE: A | DO NOT SCALE DRAWING | DATE: 1/13/09 |
| | CODE IDENT: 68999 | | DATE: 1/13/09 |
| | | | 1 of 1 SD3190-2425 REV: A |

LMR®-195

Flexible Low Loss Communications Coax

Ideal for...



- Jumper Assemblies in Wireless Communications Systems
 - Short Antenna Feeder runs
 - Any application (e.g. WLL, GPS, LMR, WLAN, WISP, WiMax, SCADA, Mobile Antennas) requiring an easily routed, low loss RF cable
 - Drop-in replacement for RG-58 and RG-142
- **LMR®** standard is a UV Resistant Polyethylene jacketed cable designed for 20-year service outdoor use. The bending and handling characteristics are significantly better than air-dielectric and corrugated hard-line cables.
 - **LMR® - DB** is identical to standard LMR plus has the advantage of being watertight. The addition of waterproofing compound in and around the foil/braid insures continuous reliable service should the jacket be inadvertently damaged during installation or in the future.
 - **LMR® - FR** is a non-halogen (non-toxic), low smoke, fire retardant cable designed for in-building runs that can be routed anywhere except air handling plenums. LMR-FR is UL/NEC & CSA rated 'CMR' and 'FT4' respectively, meets FAA FAR25 requirements and is MSHA-P for mining applications.
 - **LMR® - FR-PVC** is a general-purpose indoor cable and has a UL/NEC & CSA rating of 'CMR' and 'FT4' respectively. It is less expensive than LMR-FR, however it emits toxic fumes (HCL) and greater smoke density when burned.
 - **LMR® - PVC** is designed for low loss general-purpose applications and is somewhat more flexible than the standard polyethylene jacketed LMR.
 - **LMR® - PVC-W** is a white-jacketed version of LMR-PVC for marine and other applications where color compatibility is desired.
 - **LMR® - MA** is a flexible cable designed specifically for mobile antenna applications. It has a PVC jacket and un-bonded aluminum tape to facilitate end stripping with automated equipment.
 - **Flexibility** and bendability are hallmarks of the LMR-195 cable design. The flexible outer conductor enables the tightest bend radius available for any cable of similar size and performance.
 - **Low Loss** is another hallmark feature of LMR-195. Size for size LMR has the lowest loss of any flexible cable and comparable loss to semirigid hard-line cables.
 - **RF Shielding** is 50 dB greater than typical single shielded coax (40 dB). The multi-ply bonded foil outer conductor is rated conservatively at > 90 dB (i.e. >180 dB between two adjacent cables).
 - **Weatherability:** LMR-195 cables designed for outdoor exposure incorporate the best materials for UV resistance and have life expectancy in excess of 20 years.
 - **Connectors:** A wide variety of connectors are available for LMR-195 cable, including all common interface types, reverse polarity, and a choice of solder or non-solder center pins. Most LMR connectors employ crimp outer attachment using standard hex crimp sizes.
 - **Cable Assemblies:** All LMR-195 cable types are available as pre-terminated cable assemblies. Refer to the section on FlexTech for further details.

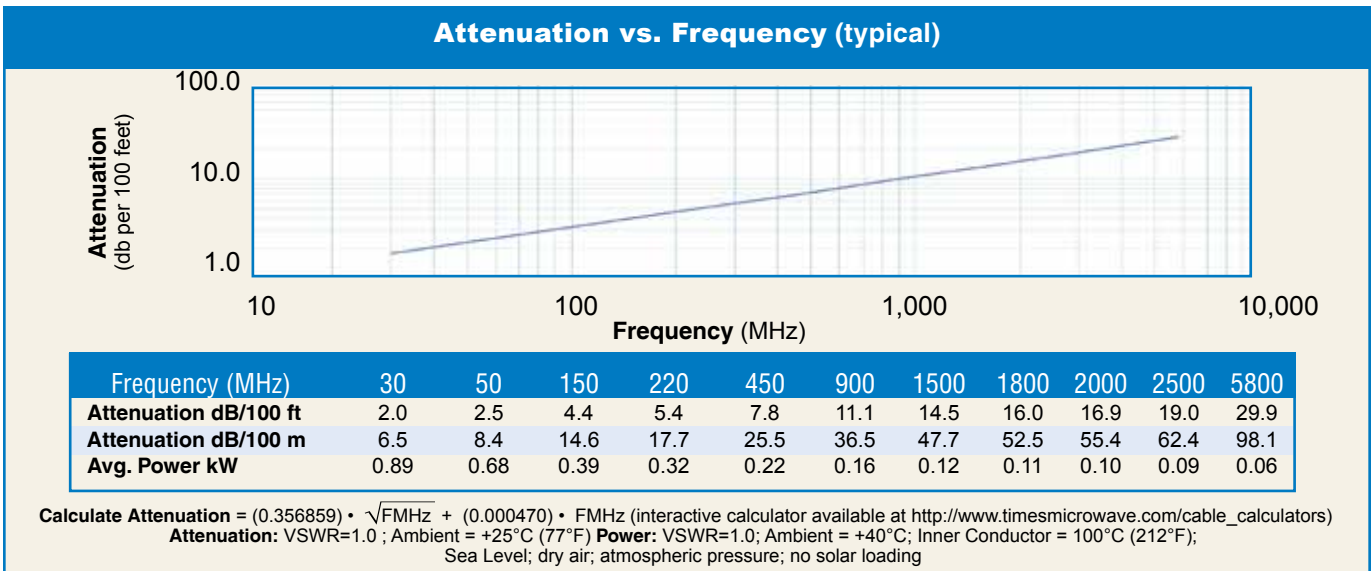
| Part Description | | | | Stock | |
|------------------|----------------------|--------|-------|-------|-------|
| Part Number | Application | Jacket | Color | Code | |
| LMR-195 | Outdoor | PE | Black | 54110 | |
| LMR-195-DB | Outdoor/Watertight | PE | Black | 54113 | |
| LMR-195-FR | Indoor/Outdoor Riser | CMR | FRPE | Black | 54111 |
| LMR-195-FR-W | Indoor/Outdoor Riser | CMR | FRPE | White | 54158 |
| LMR-195-FR-PVC | Indoor/Outdoor Riser | CMR | FRPVC | Black | 54105 |
| LMR-195-MA | Mobile Antennas | PVC | Black | 54210 | |
| LMR-195-PVC | General Purpose | PVC | Black | 54215 | |
| LMR-195-PVC-W | General Purpose | PVC | White | 54199 | |

| Construction Specifications | | | |
|-----------------------------|-------------------|-------|--------|
| Description | Material | In. | (mm) |
| Inner Conductor | Solid BC | 0.037 | (0.94) |
| Dielectric | Foam PE | 0.110 | (2.79) |
| Outer Conductor | Aluminum Tape | 0.116 | (2.95) |
| Overall Braid | Tinned Copper | 0.139 | (3.53) |
| Jacket | (see table above) | 0.195 | (4.95) |

| Mechanical Specifications | | | |
|---------------------------|----------------|-------|----------|
| Performance Property | Units | US | (metric) |
| Bend Radius: installation | in. (mm) | 0.5 | (12.7) |
| Bend Radius: repeated | in. (mm) | 2.0 | (50.8) |
| Bending Moment | ft-lb (N-m) | 0.2 | (0.27) |
| Weight | lb/ft (kg/m) | 0.021 | (0.03) |
| Tensile Strength | lb (kg) | 40 | (18.2) |
| Flat Plate Crush | lb/in. (kg/mm) | 15 | (0.27) |

| Electrical Specifications | | | |
|---------------------------|-------------------|-------|----------|
| Performance Property | Units | US | (metric) |
| Velocity of Propagation | % | 76 | |
| Dielectric Constant | NA | 1.56 | |
| Time Delay | nS/ft (nS/m) | 1.27 | (4.17) |
| Impedance | ohms | 50 | |
| Capacitance | pF/ft (pF/m) | 25.4 | (83.3) |
| Inductance | uH/ft (uH/m) | 0.064 | (0.21) |
| Shielding Effectiveness | dB | >90 | |
| DC Resistance | | | |
| Inner Conductor | ohms/1000ft (/km) | 7.6 | (24.9) |
| Outer Conductor | ohms/1000ft (/km) | 4.9 | (16.1) |
| Voltage Withstand | Volts DC | 1000 | |
| Jacket Spark | Volts RMS | 3000 | |
| Peak Power | kW | 2.5 | |

| Environmental Specifications | | |
|--------------------------------|----------|---------|
| Performance Property | °F | °C |
| Installation Temperature Range | -40/+185 | -40/+85 |
| Storage Temperature Range | -94/+185 | -70/+85 |
| Operating Temperature Range | -40/+185 | -40/+85 |



Connectors

| Interface | Description | Part Number | Stock Code | VSWR** Freq. (GHz) | Coupling Nut | Inner Contact Attach | Outer Contact Attach | Finish* Body /Pin | Length in (mm) | Width in (mm) | Weight lb (g) |
|-----------|---------------|-----------------|------------|--------------------|--------------|----------------------|----------------------|-------------------|----------------|---------------|---------------|
| N male | Straight Plug | TC-195-NM | 3190-1555 | <1.25:1 (2.5) | Knurl | Solder | Crimp | S/G | 1.5 (38.1) | 0.75 (19.1) | 0.073 (33.1) |
| N male | Right Angle | TC-195-NMH-RA-D | 3190-2425 | <1.35:1 (6) | Hex/Knurl | Solder | Crimp | A/G | 1.3 (32.1) | 1.19 (30.1) | 0.083 (37.5) |
| SMA male | Straight Plug | TC-195-SM | 3190-1553 | <1.25:1 (2.5) | Hex | Solder | Crimp | SS/G | 1.0 (25.4) | 0.32 (8.1) | 0.015 (6.8) |
| TNC male | Straight Plug | TC-195-TM | 3190-1554 | <1.25:1 (2.5) | Knurl | Solder | Crimp | S/G | 1.4 (35.6) | 0.59 (15.0) | 0.045 (20.4) |

* Finish metals: N=Nickel, S=Silver, G=Gold, SS=Stainless Steel, A=Alloy **VSWR spec based on 3 foot cable with a connector pair

Install Tools

| Type | Part Number | Stock Code | Description |
|-------------------|--------------------|------------|--|
| Crimp Tool | CT-240/200/195/100 | 3190-667 | Crimp tool for LMR-100,195, 200 and 240 connectors |
| Cutting Tool | CCT-01 | 3190-1544 | Cable end flush cut tool |
| Deburr Tool | DBT-U | 3192-001 | Removes center conductor rough edges |
| Replacement Blade | RB-01 | 3190-1609 | Replacement blade for cutting tool |

