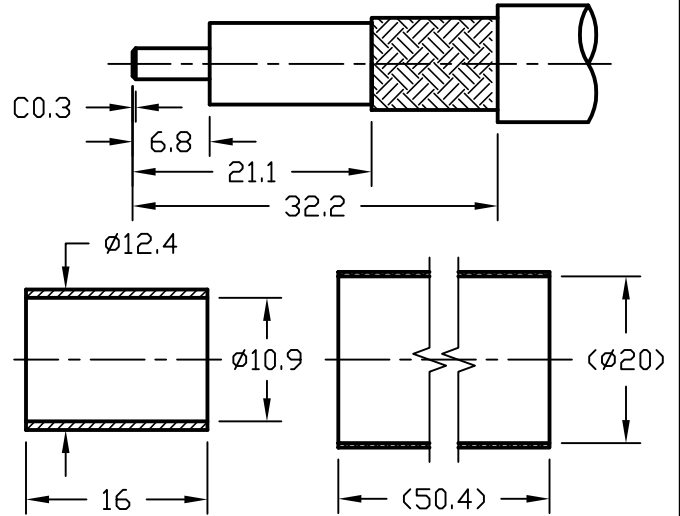
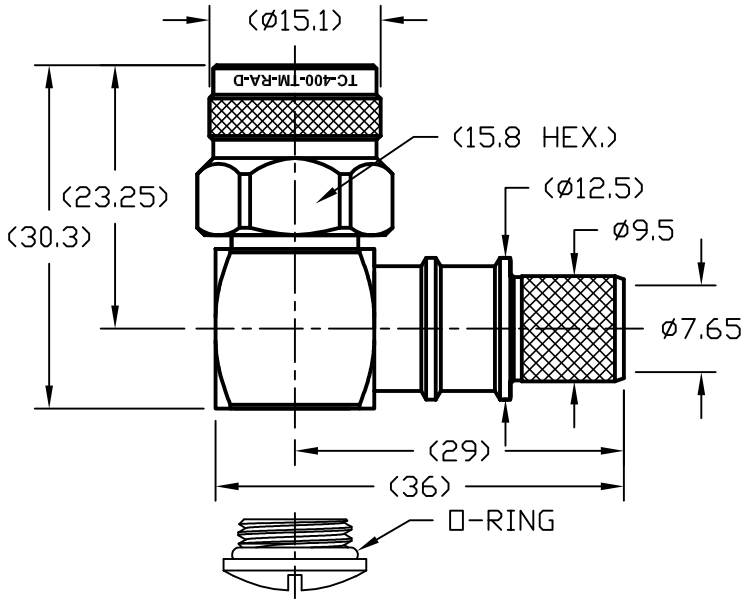


**NOTICE OF PROPRIETARY RIGHTS** THIS DOCUMENT CONTAINS CONFIDENTIAL TECHNICAL DATA, INCLUDING TRADE SECRETS, PROPRIETARY TO TIMES MICROWAVE SYSTEMS. DISCLOSURE OF THIS DATA IS EXPRESSLY CONDITIONED UPON YOUR ASSENT THAT ITS USE IS LIMITED TO USE WITHIN YOUR COMPANY ONLY. ANY OTHER USE IS STRICTLY PROHIBITED WITHOUT THE PRIOR WRITTEN CONSENT OF TIMES MICROWAVE SYSTEMS.

| SYM | REVISION DESCRIPTION         | DFTM   | DATE    | APPD   | DATE    |
|-----|------------------------------|--------|---------|--------|---------|
| A   | RELEASED FOR PRODUCTION      | K.A.M. | 6/3/11  | J.D.B. | 6/3/11  |
| B   | CHANGED PER CDC #34607/36250 | D.J.H. | 9/24/12 | J.D.B. | 9/25/12 |

RECOMMENDED CABLE STRIPPING DIM'S.



NOTES:

- CONTACT PIN IS SOLDERED.
- FERRULE IS CRIMPED TO .429" HEX.

ALL PARTS SATISFIED ROHS REQUIREMENTS

| MATERIALS AND PLATING |                    | UNIT: MICRO-INCHES        |
|-----------------------|--------------------|---------------------------|
| BODY/SHELL            | BRASS C3604        | ALBALOY 80 MIN/COPPER     |
| CONTACT PIN           | BRASS C3604        | GOLD 50 MIN/NICKEL/COPPER |
| INSULATOR             | TEFLON MIL-P-19468 | N/A                       |
| GASKET                | SILICONE           | RED                       |
| FERRULE               | BRASS              | ALBALOY 80 MIN/COPPER     |
| SHRINK TUBING         | PO                 | BLACK                     |

| ELECTRICAL CHARACTERISTICS      |                                    |
|---------------------------------|------------------------------------|
| Impedance                       | 50 $\Omega$                        |
| Frequency range                 | 0~11GHz                            |
| Voltage rating                  | 500V(rms)                          |
| Dielectric withstanding voltage | 1000V                              |
| Contact resistance              | Center contact $\leq 3$ m $\Omega$ |
|                                 | Outer contact $\leq 2$ m $\Omega$  |
| Insulation resistance           | $\geq 5000$ M $\Omega$             |
| Insertion loss                  | According to the cable             |
| RF-leakage                      | N/A                                |
| VSWR                            | $\leq 1.35$ MAX@0-6GHz             |

| MECHANICAL CHARACTERISTICS     |                   |
|--------------------------------|-------------------|
| Force to engage and disengage  | N/A               |
| Center contact retention force | 6 lbs Min         |
| Coupling torque                | 15 in-lbs Min     |
| Coupling nut retention force   | 60 lbs Min        |
| Durability                     | $\geq 500$ cycles |

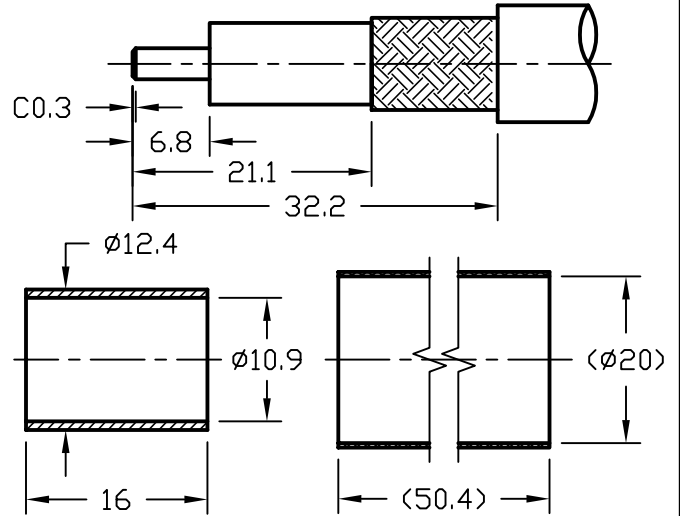
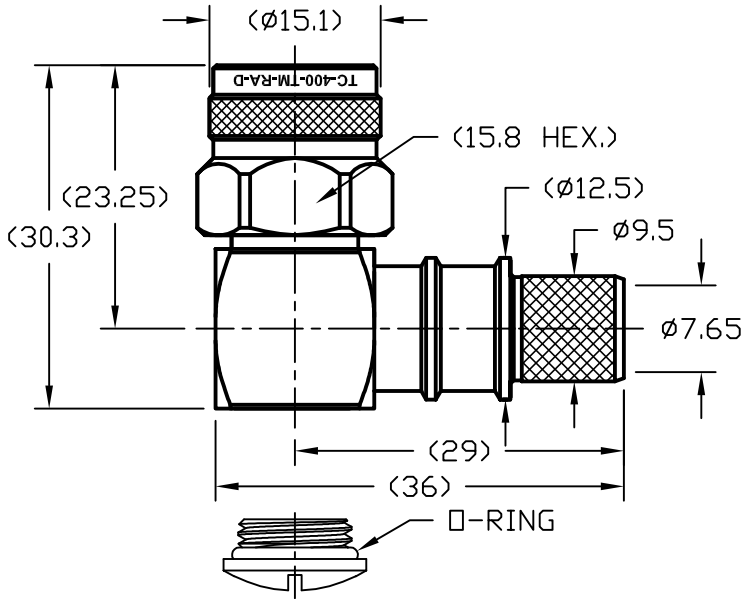
| ENVIRONMENTAL CHARACTERISTICS |                                 |
|-------------------------------|---------------------------------|
| Temperature range             | -55°C- +125°C                   |
| Thermal Shock                 | MIL-STD-202, Method 107, Cond B |
| Vibration                     | MIL-STD-202, Method 204, Cond B |
| Shock                         | MIL-STD-202, Method 213, Cond I |
| Climatic Class                | IEC 60068 55/155/56             |

|                                      |   |                         |
|--------------------------------------|---|-------------------------|
| MATERIAL: UNLESS OTHERWISE SPECIFIED | DFTM: K. A. M.  | TIMES MICROWAVE SYSTEMS |
|                                      | DATE: 6/3/11  |                         |
| USED ON: 0-4                         | ALL DIMENSIONS ARE IN mm<br>MACHINED SURFACES FINISH 1.6 RMS MAX.<br>REMOVE ALL BURRS 0.15X45° MAX. BREAK<br>MACHINE CORNERS 0.15X45°D MAX. FILLET R.<br>TOLERANCES ON DECIMALS<br>.X $\pm 0.3$ .XX $\pm 0.2$<br>ANGLES $\pm 1^\circ$ FRACTIONS $\pm$ N/A | CHKD: J. D. B.          |
|                                      | DATE: 6/3/11  |                         |
| SCALE: N/A                           | DWG. SIZE: A  | APPD: J. D. B.          |
| DO NOT SCALE DRAWING                 | CODE IDENT: 68999   | DATE: 6/3/11            |
|                                      |   | HT: 1 of 1              |
|                                      |   | SD3190-2671             |
|                                      |   | REV: B                  |

**NOTICE OF PROPRIETARY RIGHTS** THIS DOCUMENT CONTAINS CONFIDENTIAL TECHNICAL DATA, INCLUDING TRADE SECRETS, PROPRIETARY TO TIMES MICROWAVE SYSTEMS. DISCLOSURE OF THIS DATA IS EXPRESSLY CONDITIONED UPON YOUR ASSENT THAT ITS USE IS LIMITED TO USE WITHIN YOUR COMPANY ONLY. ANY OTHER USE IS STRICTLY PROHIBITED WITHOUT THE PRIOR WRITTEN CONSENT OF TIMES MICROWAVE SYSTEMS.

| SYM | REVISION DESCRIPTION         | DFTM   | DATE    | APPD   | DATE    |
|-----|------------------------------|--------|---------|--------|---------|
| A   | RELEASED FOR PRODUCTION      | K.A.M. | 6/3/11  | J.D.B. | 6/3/11  |
| B   | CHANGED PER CDC #34607/36250 | D.J.H. | 9/24/12 | J.D.B. | 9/25/12 |

RECOMMENDED CABLE STRIPPING DIM'S.



NOTES:

- CONTACT PIN IS SOLDERED.
- FERRULE IS CRIMPED TO .429" HEX.

ALL PARTS SATISFIED ROHS REQUIREMENTS

| MATERIALS AND PLATING |                    | UNIT: MICRO-INCHES        |
|-----------------------|--------------------|---------------------------|
| BODY/SHELL            | BRASS C3604        | ALBALOY 80 MIN/COPPER     |
| CONTACT PIN           | BRASS C3604        | GOLD 50 MIN/NICKEL/COPPER |
| INSULATOR             | TEFLON MIL-P-19468 | N/A                       |
| GASKET                | SILICONE           | RED                       |
| FERRULE               | BRASS              | ALBALOY 80 MIN/COPPER     |
| SHRINK TUBING         | PO                 | BLACK                     |

| ELECTRICAL CHARACTERISTICS      |                        |
|---------------------------------|------------------------|
| Impedance                       | 50 Ω                   |
| Frequency range                 | 0~11GHz                |
| Voltage rating                  | 500V(rms)              |
| Dielectric withstanding voltage | 1000V                  |
| Contact resistance              | Center contact ≤ 3 mΩ  |
|                                 | Outer contact ≤ 2 mΩ   |
| Insulation resistance           | ≥ 5000MΩ               |
| Insertion loss                  | According to the cable |
| RF-leakage                      | N/A                    |
| VSWR                            | ≤ 1.35 MAX@0-6GHz      |

| MECHANICAL CHARACTERISTICS     |               |
|--------------------------------|---------------|
| Force to engage and disengage  | N/A           |
| Center contact retention force | 6 lbs Min     |
| Coupling torque                | 15 in-lbs Min |
| Coupling nut retention force   | 60 lbs Min    |
| Durability                     | ≥ 500 cycles  |

| ENVIRONMENTAL CHARACTERISTICS |                                 |
|-------------------------------|---------------------------------|
| Temperature range             | -55°C - +125°C                  |
| Thermal Shock                 | MIL-STD-202, Method 107, Cond B |
| Vibration                     | MIL-STD-202, Method 204, Cond B |
| Shock                         | MIL-STD-202, Method 213, Cond I |
| Climatic Class                | IEC 60068 55/155/56             |

|                                      |  |  |
|--------------------------------------|--|--|
| MATERIAL: UNLESS OTHERWISE SPECIFIED | DFTM: K. A. M.   | TIMES MICROWAVE SYSTEMS                            |
|                                      | DATE: 6/3/11   |  |
| USED ON: 0-4                         | ALL DIMENSIONS ARE IN mm<br>MACHINED SURFACES FINISH 1.6 RMS MAX.<br>REMOVE ALL BURRS 0.15X45° MAX. BREAK<br>MACHINE CORNERS 0.15X45°D MAX. FILLET R.<br>TOLERANCES ON DECIMALS<br>.X ± 0.3 .XX ± 0.2<br>ANGLES ± 1° FRACTIONS ± N/A | TC-400-TM-RA-D<br>90° TNC MALE<br>FOR LMR400 CABLE |
|                                      | CHKD: J. D. B.   |  |
| SCALE: N/A                           | DATE: 6/3/11   | 1 of 1   SD3190-2671   B                           |
| DWG. SIZE: A                         | DO NOT SCALE DRAWING   |  |
| CODE IDENT: 68999                    | DATE: 6/3/11   |  |

## LMR-<sup>®</sup>400-UF UltraFlex Communications Coax

### Ideal for...

- Drop-in replacement for RG-8/9913 Air-Dielectric type Cable
- Jumper Assemblies in Wireless Communications Systems
- Short Antenna Feeder runs
- Any application that requires periodic/repeated flexing



• **LMR<sup>®</sup> - UltraFlex** has a stranded center conductor and rubber outer jacket designed for multiple bending/flexing cycles. It is used for both indoor and outdoor applications.

• **Flexibility** and bendability are hallmarks of the LMR-400-UF cable design. The flexible outer conductor enables the tightest bend radius available for any cable of similar size and performance.

• **Low Loss** is another hallmark feature of LMR-400-UF. Size for size LMR has the lowest loss of any flexible cable and comparable loss to semirigid hard-line cables.

• **RF Shielding** is 50 dB greater than typical single shielded coax (40 dB). The multi-ply bonded foil outer conductor is rated conservatively at > 90 dB (i.e. >180 dB between two adjacent cables).

• **Weatherability:** LMR-400-UF cables are designed for outdoor exposure and have a life expectancy in excess of 10 years.

• **Connectors:** A wide variety of connectors are available for LMR-400-UF cable, including all common interface types, reverse polarity, and solder-on center pins. Most LMR connectors employ crimp outer attachment using standard hex crimp sizes.

• **Cable Assemblies:** All LMR-400-UF cable types are available as pre-terminated cable assemblies. Refer to the section on FlexTech for further details.

| Part Description |                |        |       |            |
|------------------|----------------|--------|-------|------------|
| Part Number      | Application    | Jacket | Color | Stock Code |
| LMR-400-UF       | Indoor/Outdoor | TPE    | Black | 54040      |

| Construction Specifications |                               |       |         |  |
|-----------------------------|-------------------------------|-------|---------|--|
| Description                 | Material                      | In.   | (mm)    |  |
| Inner Conductor             | Stranded BC                   | 0.108 | (2.74)  |  |
| Dielectric                  | Foam Polyethylene             | 0.285 | (7.24)  |  |
| Outer Conductor             | Aluminum Tape                 | 0.291 | (7.39)  |  |
| Overall Braid               | Tinned Copper                 | 0.320 | (8.13)  |  |
| Jacket                      | Black Thermoplastic Elastomer | 0.405 | (10.29) |  |

# LMR®-400-UF UltraFlex Communications Coax



## Connectors

| Interface       | Description   | Part Number     | Stock Code | VSWR**<br>Freq. (GHz) | Coupling<br>Nut | Inner<br>Contact<br>Attach | Outer<br>Contact<br>Attach | Finish*<br>Body<br>/Pin | Length<br>in (mm) | Width<br>in (mm) | Weight<br>lb (g) |
|-----------------|---------------|-----------------|------------|-----------------------|-----------------|----------------------------|----------------------------|-------------------------|-------------------|------------------|------------------|
| 7-16 DIN Female | Straight Jack | TC-400-716-FC   | 3190-376   | <1.25:1 (2.5)         | NA              | Solder                     | Clamp                      | S/S                     | 1.6 (41)          | 1.13 (28.7)      | 0.281 (127.5)    |
| 7-16 DIN Male   | Straight Plug | TC-400-716-MC   | 3190-279   | <1.25:1 (2.5)         | Hex             | Solder                     | Clamp                      | S/S                     | 1.4 (36)          | 1.40 (35.6)      | 0.268 (121.6)    |
| BNC Male        | Straight Plug | TC-400-BM       | 3190-318   | <1.25:1 (2.5)         | Knurl           | Solder                     | Crimp                      | N/S                     | 1.7 (43)          | 0.56 (14.2)      | 0.063 (28.6)     |
| Mini-UHF        | Straight Plug | TC-400-MUHF     | 3190-520   | <1.25:1 (2.5)         | Knurl           | Solder                     | Crimp                      | N/G                     | 1.1 (28)          | 0.50 (12.7)      | 0.020 (9.1)      |
| N Female        | Straight Jack | TC-400-NFC      | 3190-299   | <1.25:1 (2.5)         | NA              | Solder                     | Clamp                      | N/S                     | 1.6 (41)          | 0.75 (19.1)      | 0.119 (54.0)     |
| N Male          | Straight Plug | SC-400-NM       | 3190-1454  | <1.25:1 (2.5)         | Knurl           | Solder                     | Crimp                      | N/G                     | 1.5 (38)          | 0.75 (19.1)      | 0.090 (40.8)     |
|                 | Straight Plug | TC-400-NM       | 3190-188   | <1.25:1 (2.5)         | Knurl           | Solder                     | Crimp                      | N/G                     | 1.5 (38)          | 0.75 (19.1)      | 0.090 (40.8)     |
|                 | Straight Plug | TC-400-NMC      | 3190-277   | <1.25:1 (2.5)         | Knurl           | Solder                     | Clamp                      | N/G                     | 1.5 (38)          | 0.75 (19.1)      | 0.121 (54.9)     |
|                 | Straight Plug | TC-400-NMH-D    | 3190-552   | <1.25:1 (10)          | Hex/Knurl       | Solder                     | Crimp                      | A/G                     | 1.5 (38)          | 0.89 (22.6)      | 0.113 (51.3)     |
|                 | Right Angle   | TC-400-NMH-RA   | 3190-422*  | <1.35:1 (6)           | Hex             | Solder                     | Crimp                      | S/G                     | 1.8 (46)          | 1.25 (31.8)      | 0.130 (59.0)     |
|                 | Right Angle   | TC-400-NMH-RA-D | 3190-2293* | <1.35:1 (6)           | Hex/Knurl       | Solder                     | Crimp                      | A/G                     | 1.8 (46)          | 1.25 (31.8)      | 0.130 (59.0)     |
| SMA Male        | Straight Plug | TC-400-SM       | 3190-439   | <1.25:1 (8)           | Hex             | Solder                     | Crimp                      | N/G                     | 1.2 (29)          | 0.50 (12.7)      | 0.032 (14.5)     |
| TNC Male        | Straight Plug | TC-400-TM       | 3190-260   | <1.25:1 (2.5)         | Knurl           | Solder                     | Crimp                      | N/S                     | 1.7 (43)          | 0.59 (15.0)      | 0.074 (33.6)     |
|                 | Right Angle   | TC-400-TM-RA    | 3190-442*  | <1.35:1 (2.5)         | Knurl           | Solder                     | Crimp                      | N/G                     | 1.7 (43)          | 0.59 (15.0)      | 0.085 (38.6)     |

\* Finish metals: N=Nickel, S=Silver, G=Gold, SS=Stainless Steel, A=Alballoy \*\*VSWR spec based on 3 foot cable with a connector pair \*Available in bulk pack

**Mechanical Specifications**

| Performance Property      | Units          | US    | (metric) |
|---------------------------|----------------|-------|----------|
| Bend Radius: installation | in. (mm)       | 1.0   | (25.4)   |
| Bend Radius: repeated     | in. (mm)       | 4.0   | (101.6)  |
| Bending Moment            | ft-lb (N-m)    | 0.375 | (0.51)   |
| Weight                    | lb/ft (kg/m)   | .088  | (0.131)  |
| Tensile Strength          | lb (kg)        | 160   | (72.6)   |
| Flat Plate Crush          | lb/in. (kg/mm) | 20    | (0.36)   |

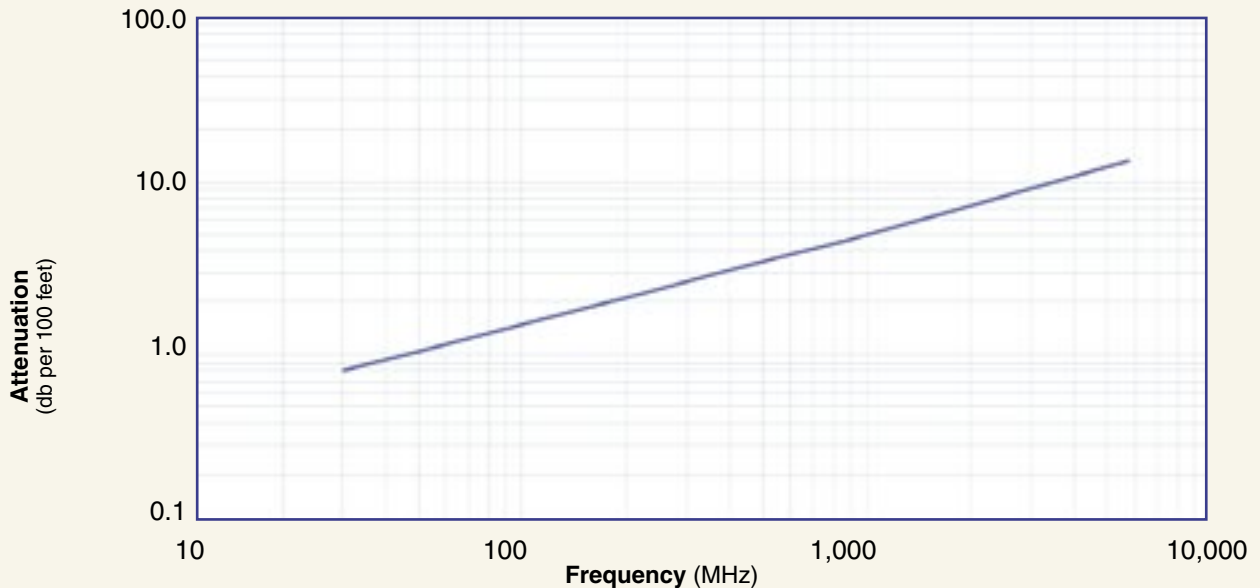
**Environmental Specifications**

| Performance Property           | °F       | °C      |
|--------------------------------|----------|---------|
| Installation Temperature Range | -40/+185 | -40/+85 |
| Storage Temperature Range      | -94/+185 | -70/+85 |
| Operating Temperature Range    | -40/+185 | -40/+85 |

**Electrical Specifications**

| Performance Property    | Units             | US    | (metric) |
|-------------------------|-------------------|-------|----------|
| Cutoff Frequency        | GHz               | 16.2  |          |
| Velocity of Propagation | %                 | 85    |          |
| Dielectric Constant     | NA                | 1.38  |          |
| Time Delay              | nS/ft (nS/m)      | 1.20  | (3.92)   |
| Impedance               | ohms              | 50    |          |
| Capacitance             | pF/ft (pF/m)      | 23.9  | (78.40)  |
| Inductance              | uH/ft (uH/m)      | 0.060 | (0.21)   |
| Shielding Effectiveness | dB                | >90   |          |
| <b>DC Resistance</b>    |                   |       |          |
| Inner Conductor         | ohms/1000ft (/km) | 1.07  | (3.51)   |
| Outer Conductor         | ohms/1000ft (/km) | 1.65  | (5.4)    |
| Voltage Withstand       | Volts DC          | 2500  |          |
| Jacket Spark            | Volts RMS         | 8000  |          |
| Peak Power              | kW                | 16    |          |

**Attenuation vs. Frequency (typical)**



| Frequency (MHz)              | 30   | 50   | 150  | 220  | 450  | 900  | 1500 | 1800 | 2000 | 2500 | 5800 |
|------------------------------|------|------|------|------|------|------|------|------|------|------|------|
| <b>Attenuation dB/100 ft</b> | 0.8  | 1.1  | 1.8  | 2.2  | 3.3  | 4.7  | 6.2  | 6.8  | 7.2  | 8.1  | 13.0 |
| <b>Attenuation dB/100 m</b>  | 2.7  | 3.5  | 6.1  | 7.4  | 10.7 | 15.4 | 20.2 | 22.3 | 23.6 | 26.6 | 42.6 |
| <b>Avg. Power kW</b>         | 2.77 | 2.14 | 1.22 | 1.00 | 0.69 | 0.48 | 0.36 | 0.33 | 0.31 | 0.28 | 0.17 |

Calculate Attenuation =  $(0.146748) \cdot \sqrt{\text{FMHz}} + (0.000312) \cdot \text{FMHz}$  (interactive calculator available at [http://www.timesmicrowave.com/cable\\_calculators](http://www.timesmicrowave.com/cable_calculators))  
 Attenuation: VSWR=1.0; Ambient = +25°C (77°F) Power: VSWR=1.0; Ambient = +40°C; Inner Conductor = 100°C (212°F);  
 Sea Level; dry air; atmospheric pressure; no solar loading



## Hardware Accessories

| Type          | Part Number | Stock Code | Description                   |
|---------------|-------------|------------|-------------------------------|
| Ground Kit    | GK-S400TT   | GK-S400TT  | Standard Grounding Kit (each) |
| Hoisting Grip | HG-400T     | HG-400T    | Laced Type (each)             |



## Install Tools

| Type              | Part Number | Stock Code | Description  |
|-------------------|-------------|------------|--|
| Crimp Tool        | HX-4        | 3190-200   | Crimp Handle   |
| Crimp Dies        | Y1719       | 3190-202   | .429" Hex Dies                                       |
| Crimp Tool        | CT-400/300  | 3190-666   | Crimp tool for LMR 400 connectors                    |
| Crimp Rings       | CR-400      | 3190-830   | Crimp rings for TC/EZ-400 connectors (package of 10) |
| Cutting Tool      | CCT-01      | 3190-1544  | Cable end flush cut tool                             |
| Replacement Blade | RB-01       | 3190-1609  | Replacement blade for cutting tool                   |