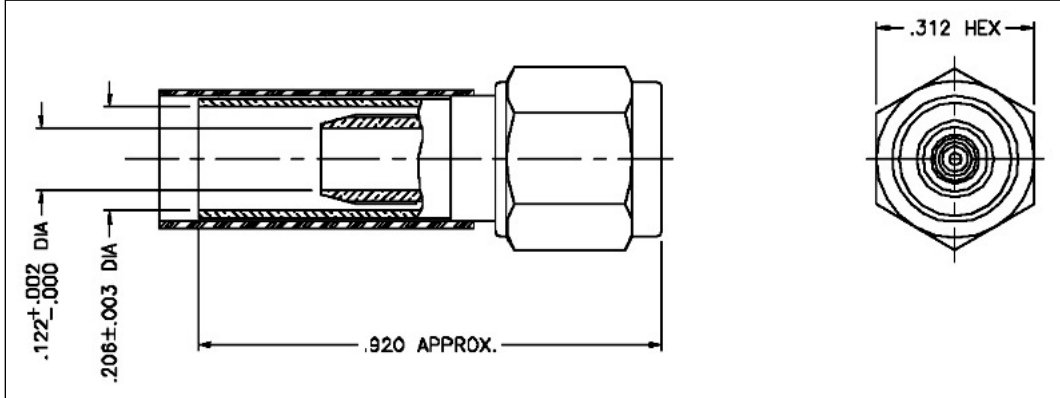


THE REVISION STATUS OF ALL SHEETS OF THIS DRAWING IS THE SAME AS SHEET 1

| LTR | DESCRIPTION | DATE | BY |
|-----|-----------------------|---------|-----|
| - | Released | 8/20/03 | JCL |
| A | Changed Per CDC 37206 | 3/26/13 | JDB |



I. MATERIALS & FINISHES

- center contact: Gold Plated Brass (solder-pin)
- outer contact: Stainless Steel
- body: Stainless Steel
- coupling nut: Stainless Steel
- crimp sleeve: Nickel Plated D.H.P. Copper CDA Alloy 122
- dielectric: Teflon® PTFE
- gasket: Silicone Rubber
- shrink sleeve: Adhesive Lined Polyolefin
- attachment: braid crimp (.213" hex)

II. ELECTRICAL PROPERTIES

- impedance: 50 ohms
- working voltage: 750 vrms (max)
- vswr: 1.25:1 (max) up to 2.5 GHz
- insertion loss: 0.10 x √Fghz

Unless otherwise specified, dimensions are in inches. Tolerances are applicable when specified.

These drawings and specifications contain proprietary information which is the property of Times Microwave Systems.

| Approvals | | |
|-----------|-----|---------|
| Drawn | JCL | 8/20/03 |
| | | |
| | | |
| | | |

TIMES MICROWAVE SYSTEMS
 Wallingford, CT 06492
 (203) 949-8400; (203) 949-8423.Fax
 www.timesmicrowave.com

TC-195-SM
SMA Male (Plug)
for LMR-195Cable

| | | |
|-----------|---------------------------|----------------------------------|
| Size A | CAGE CODE 68999 | Drawing No.: 3190-1553 |
| Scale: NA | Rev. A | Sheet: 1 of 1 |



SMA Female Connector Crimp/Solder Attachment For RG58

TECHNICAL DATA SHEET

PE4413

SMA Female Connector Crimp/Solder Attachment For RG58

Configuration

| | |
|--|--------------|
| Connector | SMA Female |
| Connector Interface Type | RG58 |
| Cable Attachment Method (Shield/Contact) | Crimp/Solder |
| Body Style | Straight |

Electrical Specifications

| | |
|----------------------------------|--------|
| Impedance, Ohms | 50 |
| Maximum VSWR | 1.28:1 |
| Maximum Operating Voltage, Volts | 500 |

Mechanical Specifications

Temperature

| | |
|------------------------|-------------|
| Operating Range, deg C | -65 to +165 |
|------------------------|-------------|

Size

| | |
|---------------------|---------------|
| Length, in [mm] | 0.893 [22.68] |
| Width/Dia., in [mm] | 0.25 [6.35] |
| Weight, lbs [g] | 0.008 [3.63] |

Connector

| | |
|-------------------------------|------------------------|
| Type | SMA Female |
| Contact Material and Plating | Beryllium Copper, Gold |
| Contact Plating Specification | 50µ in. minimum |
| Body Material and Plating | Brass, Nickel |
| Body Plating Specification | 100µ in. minimum |
| Dielectric Type | PTFE |

Compliance Certifications (visit www.Pasternack.com for current document)

| | |
|----------------|-----|
| RoHS Compliant | Yes |
|----------------|-----|

Click the following link (or enter part number in "SEARCH" on website) to obtain additional part information including price, inventory and certifications: [SMA Female Connector Crimp/Solder Attachment For RG58 PE4413](#)

The information contained in this document is accurate to the best of our knowledge and representative of the part described herein. It may be necessary to make modifications to the part and/or the documentation of the part, in order to implement improvements. Pasternack reserves the right to make such changes as required. Unless otherwise stated, all specifications are nominal.



SMA Female Connector Crimp/Solder Attachment For RG58

TECHNICAL DATA SHEET

PE4413

Plotted and Other Data

Notes:

Values at 25 °C, sea level

SMA Female Connector Crimp/Solder Attachment For RG58 from Pasternack Enterprises has same day shipment for domestic and International orders. Our RF, microwave and fiber optic products maintain a 99% availability and are part of the broadest selection in the industry.

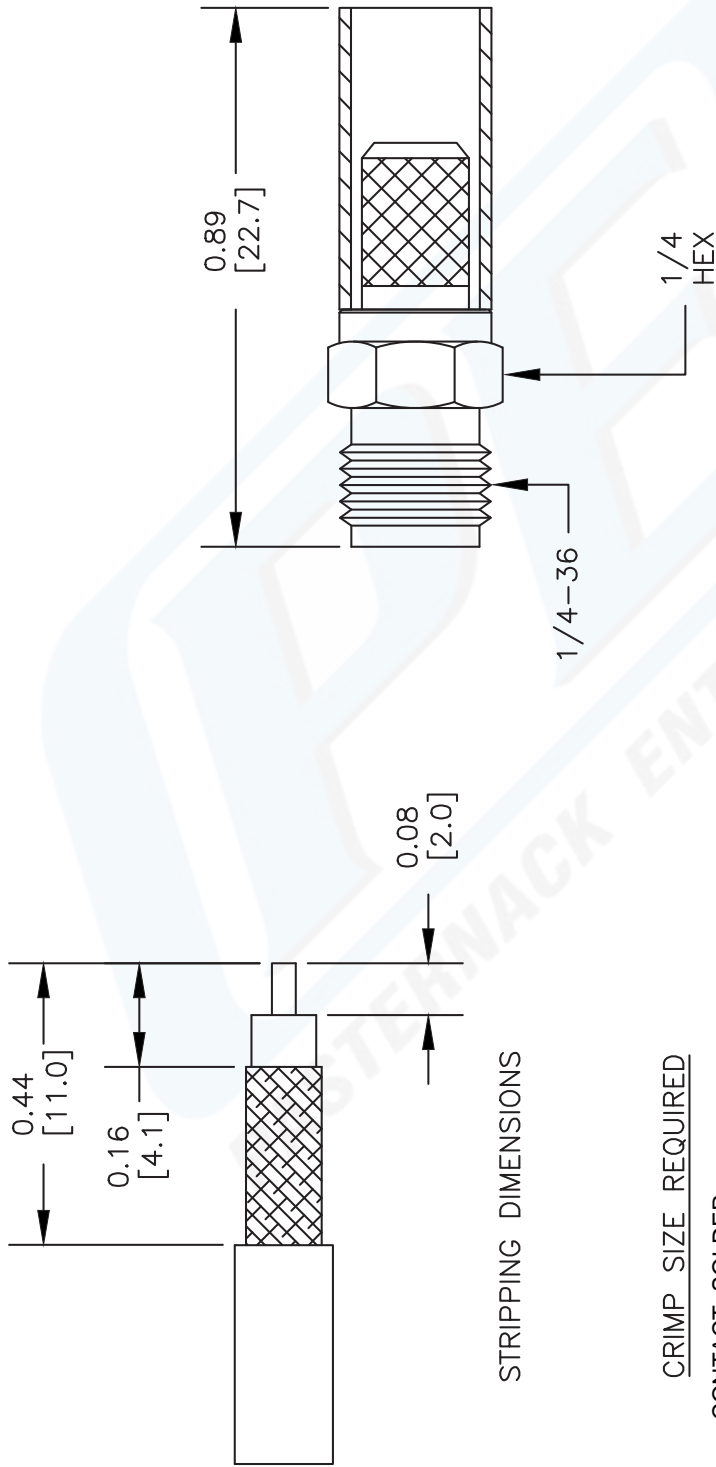
Click the following link (or enter part number in "SEARCH" on website) to obtain additional part information including price, inventory and certifications: [SMA Female Connector Crimp/Solder Attachment For RG58 PE4413](#)

URL: <http://www.pasternack.com/sma-female-standard-rg58-connector-pe4413-p.aspx>

The information contained in this document is accurate to the best of our knowledge and representative of the part described herein. It may be necessary to make modifications to the part and/or the documentation of the part, in order to implement improvements. Pasternack reserves the right to make such changes as required. Unless otherwise stated, all specifications are nominal.

PE4413 CAD Drawing

SMA Female Connector Crimp/Solder Attachment For RG58



DWG TITLE

PE4413

NOTES:
 1. UNLESS OTHERWISE SPECIFIED ALL DIMENSIONS ARE NOMINAL.
 2. ALL SPECIFICATIONS ARE SUBJECT TO CHANGE WITHOUT NOTICE AT ANY TIME.
 3. DIMENSIONS ARE IN INCHES [mm].
 4. FITS MIL-C-17 AND EQUIVALENT CABLES.

FSCM NO. 53919

CAD FILE 070113

SCALE N/A

SIZE A

2233



Pasternack Enterprises, Inc.
 P.O. Box 16759 | Irvine | CA | 92623
 Phone: (949) 261-1920 | Fax: (949) 261-7451
 Website: www.pasternack.com | E-Mail: sales@pasternack.com



Flexible RG141 Coax Cable Single Shielded with Beige PTFE (Fiberglass reinforced) Jacket

RF Cables Technical Data Sheet

RG141A/U

Configuration

- Flexible Cable
- 1 Shield(s)

Electrical Specifications

| Description | Minimum | Typical | Maximum | Units |
|--------------------------------------|---------|--------------|---------|--------------|
| Frequency Range | DC | | 10 | GHz |
| Impedance | | 50 ±2 | | Ohms |
| Velocity of Propagation | | 70 | | % |
| Dielectric Withstanding Voltage (AC) | | | 5,000 | Vrms |
| Jacket Spark | | | 2,000 | Vrms |
| Nominal Capacitance | | 29.4 [96.46] | | pF/ft [pF/m] |

Performance by Frequency Band

| Description | F1 | F2 | F3 | F4 | F5 | Units |
|------------------|------|------|-------|--------|--------|----------|
| Frequency | 0.01 | 0.1 | 1 | 5 | 10 | GHz |
| Attenuation, Typ | 1.2 | 3.9 | 13 | 36 | 62 | dB/100ft |
| | 3.94 | 12.8 | 42.65 | 118.11 | 203.41 | dB/100m |

Mechanical Specifications

| | |
|----------|--------------------------|
| Diameter | 0.19 in [4.83 mm] |
| Weight | 0.033 lbs/ft [0.05 Kg/m] |

Construction Specifications

| Description | Material and Plating | Diameter |
|-----------------|--------------------------------------|--------------------|
| Inner Conductor | Copper Clad Steel, Silver, 1 Strands | 0.037 in [0.94 mm] |
| Conductor Type | Solid | |
| Dielectric | PTFE | 0.116 in [2.95 mm] |
| First Shield | Silver Plated Copper | |

Click the following link (or enter part number in "SEARCH" on website) to obtain additional part information including price, inventory and certifications: [Flexible RG141 Coax Cable Single Shielded with Beige PTFE \(FG\) Jacket RG141A/U](#)



Flexible RG141 Coax Cable Single Shielded with Beige PTFE (Fiberglass reinforced) Jacket

RF Cables Technical Data Sheet

RG141A/U

| | | |
|--------|------------------|-------------------|
| Jacket | PTFE (FG), Beige | 0.19 in [4.83 mm] |
|--------|------------------|-------------------|

Environmental Specifications

Temperature

Operating Range -55 to +200 deg C

Compliance Certifications (see [product page](#) for current document)

Plotted and Other Data

Notes:

Flexible RG141 Coax Cable Single Shielded with Beige PTFE (Fiberglass reinforced) Jacket from Pasternack Enterprises has same day shipment for domestic and International orders. Our RF, microwave and millimeter wave products maintain a 99.4% availability and are part of the broadest selection in the industry.

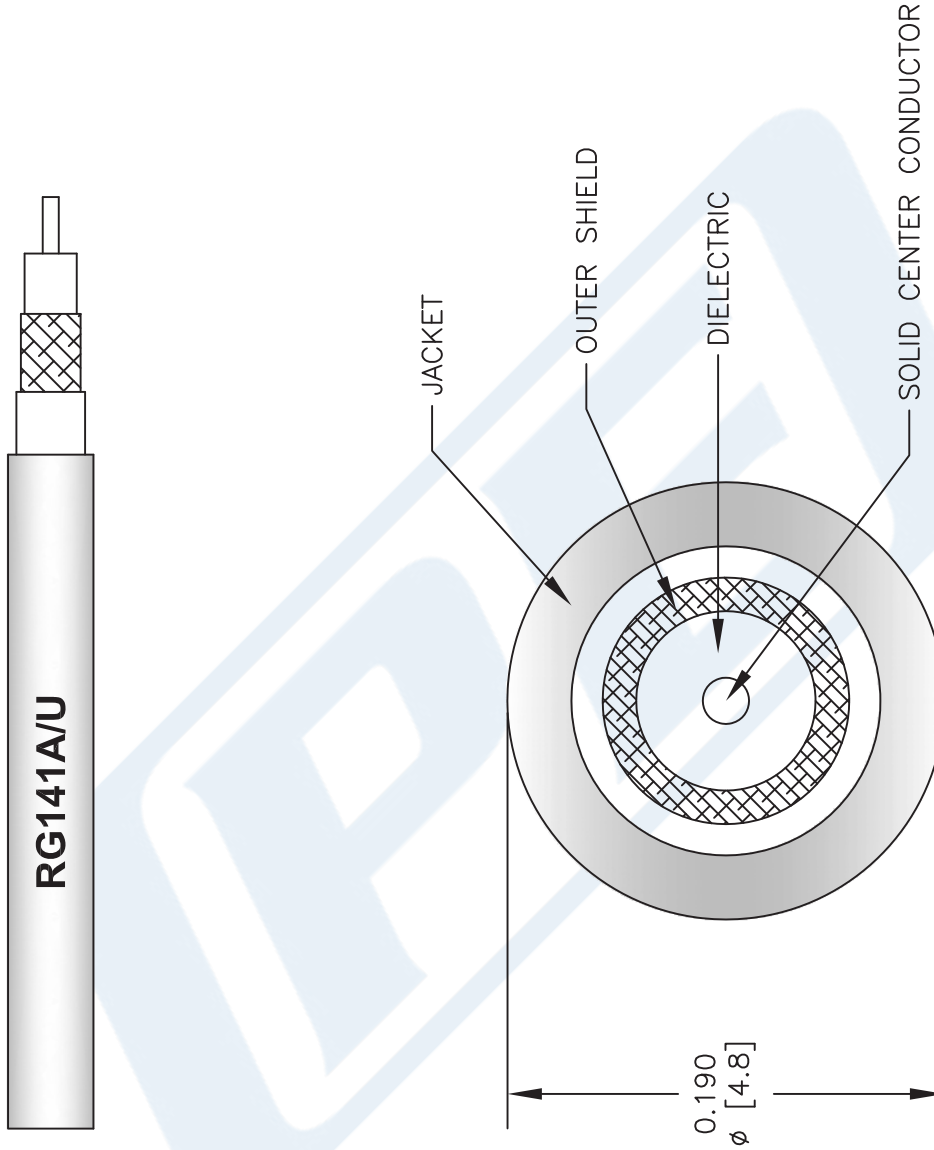
Click the following link (or enter part number in "SEARCH" on website) to obtain additional part information including price, inventory and certifications: [Flexible RG141 Coax Cable Single Shielded with Beige PTFE \(FG\) Jacket RG141A/U](#)

URL: <https://www.pasternack.com/flexible-0.190-rg141-50-ohm-coax-cable-ptfe-fr-jacket-rg141a-u-p.aspx>

The information contained in this document is accurate to the best of our knowledge and representative of the part described herein. It may be necessary to make modifications to the part and/or the documentation of the part, in order to implement improvements. Pasternack reserves the right to make such changes as required. Unless otherwise stated, all specifications are nominal. Pasternack does not make any representation or warranty regarding the suitability of the part described herein for any particular purpose, and Pasternack does not assume any liability arising out of the use of any part or documentation.

RG141A/U CAD Drawing

Flexible RG141 Coax Cable Single Shielded with Beige PTFE (Fiberglass reinforced) Jacket



NOTES:
 1. UNLESS OTHERWISE SPECIFIED ALL DIMENSIONS ARE NOMINAL.
 2. ALL SPECIFICATIONS ARE SUBJECT TO CHANGE WITHOUT NOTICE AT ANY TIME.
 3. DIMENSIONS ARE IN INCHES [mm].

| | | | | | |
|-----------|----------------|----------|-----|-------|------|
| DWG TITLE | | CAD FILE | | SCALE | SIZE |
| RG141A/U | | 022808-A | N/A | A | 147 |
| REV. A | FSCM NO. 53919 | | | | |

PE PASTERNAK®
 Pasternack Enterprises, Inc.
 P.O. Box 16759 | Irvine | CA | 92623
Phone: (949) 261-1920 | **Fax:** (949) 261-7451
Website: www.pasternack.com | **E-Mail:** sales@pasternack.com