



N Male Right Angle Connector Clamp/Solder Attachment
for PE-SR401AL, PE-SR401FL, RG401

TECHNICAL DATA SHEET

PE4935

Configuration

| | |
|------------------------------------|-------------------------------|
| Connector | N Male |
| Connector Specification | MIL-STD-348A |
| Connector Interface Type | PE-SR401AL, PE-SR401FL, RG401 |
| Attachment Method (Shield/Contact) | Clamp/Solder |
| Body Style | Right Angle |

Electrical Specifications

| | |
|-----------|---------|
| Impedance | 50 Ohms |
|-----------|---------|

Mechanical Specifications

Size

| | |
|------------|--------------------|
| Length | 1.96 in [49.78 mm] |
| Width/Dia. | 0.75 in [19.05 mm] |
| Height | 1.29 in [32.77 mm] |
| Weight | 0.22 lbs [99.79 g] |

Connector

| | |
|------------------------------------|-----------------------|
| Type | N Male |
| Contact Material and Plating | Brass, Gold |
| Contact Plating Specification | 30 μ in. minimum |
| Coupling Nut Material and Plating | Brass, Nickel |
| Coupling Nut Plating Specification | 100 μ in. minimum |
| Body Material and Plating | Brass, Nickel |
| Body Plating Specification | 100 μ in. minimum |
| Dielectric Type | Teflon |

Compliance Certifications (visit www.Pasternack.com for current document)

RoHS Compliant

Click the following link (or enter part number in "SEARCH" on website) to obtain additional part information including price, inventory and certifications: [N Male Right Angle Connector Clamp/Solder Attachment for PE-SR401AL, PE-SR401FL, RG401 PE4935](#)



N Male Right Angle Connector Clamp/Solder Attachment for PE-SR401AL, PE-SR401FL, RG401

TECHNICAL DATA SHEET

PE4935

Plotted and Other Data

Notes:

- Values at +25 °C, sea level

N Male Right Angle Connector Clamp/Solder Attachment for PE-SR401AL, PE-SR401FL, RG401 from Pasternack Enterprises has same day shipment for domestic and International orders. Our RF, microwave and millimeter wave products maintain a 99% availability and are part of the broadest selection in the industry.

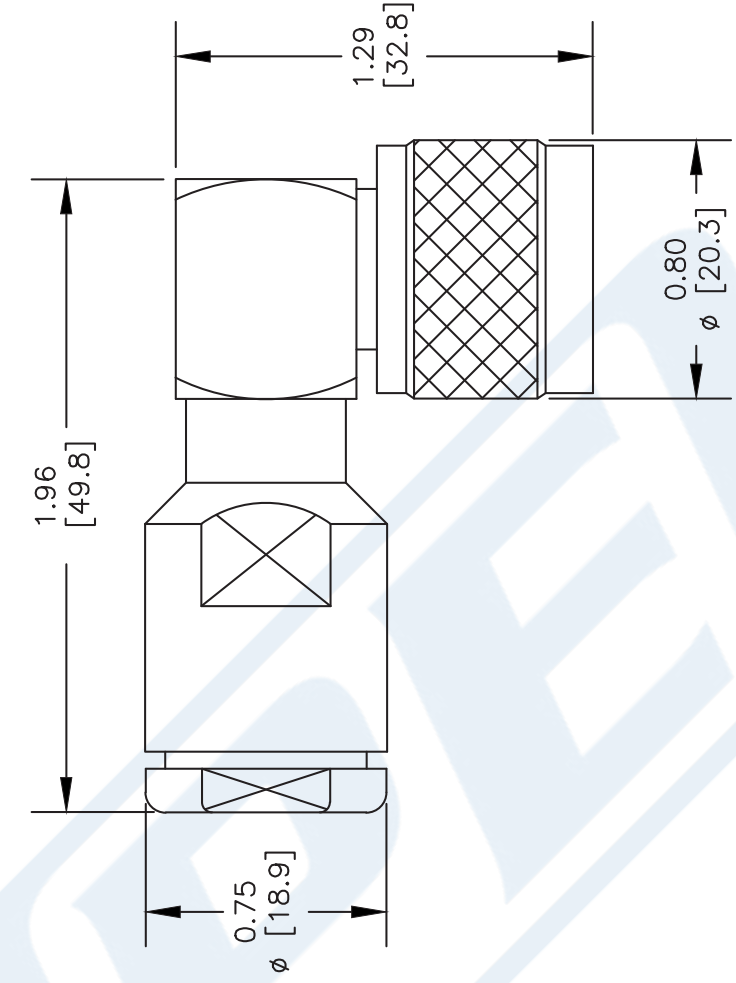
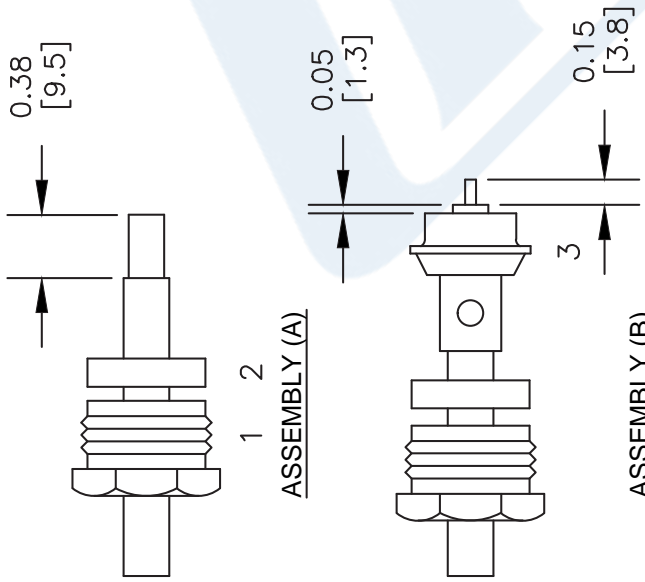
Click the following link (or enter part number in "SEARCH" on website) to obtain additional part information including price, inventory and certifications: [N Male Right Angle Connector Clamp/Solder Attachment for PE-SR401AL, PE-SR401FL, RG401 PE4935](http://www.pasternack.com/n-male-standard-pe-sr401al-pe-sr401fl-rg401-connector-pe4935-p.aspx)

URL: <http://www.pasternack.com/n-male-standard-pe-sr401al-pe-sr401fl-rg401-connector-pe4935-p.aspx>

The information contained in this document is accurate to the best of our knowledge and representative of the part described herein. It may be necessary to make modifications to the part and/or the documentation of the part, in order to implement improvements. Pasternack reserves the right to make such changes as required. Unless otherwise stated, all specifications are nominal. Pasternack does not make any representation or warranty regarding the suitability of the part described herein for any particular purpose, and Pasternack does not assume any liability arising out of the use of any part or documentation.

PE4935 CAD Drawing

N Male Right Angle Connector Clamp/Solder Attachment
for PE-SR401AL, PE-SR401FL, RG401



ASSEMBLY PROCEDURES

1. SLIDE CLAMP NUT (1) & GASKET (2) OVER CABLE. STRIP CABLE AS SHOWN IN ASSEMBLY (A). DO NOT CUT DIELECTRIC.
2. SLIDE ADAPTER (3) OVER CABLE UNTIL ADAPTER (3) BOTTOMS ON OUTER CONDUCTOR. SOLDER ADAPTER (3) TO OUTER CONDUCTOR USING MINIMUM HEAT.
3. STRIP CABLE AS SHOWN IN ASSEMBLY (B). SOLDER CONTACT TO CENTER CONDUCTOR. SLIDE ASSEMBLY FORWARD & TIGHTEN TO BODY.

NOTES:
1. UNLESS OTHERWISE SPECIFIED ALL DIMENSIONS ARE NOMINAL.
2. ALL SPECIFICATIONS ARE SUBJECT TO CHANGE WITHOUT NOTICE AT ANY TIME.
3. DIMENSIONS ARE IN INCHES [mm].
4. FITS MIL-C-17 AND EQUIVALENT CABLES.

| | | | |
|-----------|---------------|----------|--------|
| DWG TITLE | PE4935 | | |
| FSCM NO. | 53919 | CAD FILE | 061802 |
| SCALE | N/A | SIZE | A |
| XXXX | | | |

PE PASTERNAK®
Pasternack Enterprises, Inc.
P.O. Box 16759 | Irvine | CA | 92623
Phone: (949) 261-1920 | Fax: (949) 261-7451
Website: www.pasternack.com | E-Mail: sales@pasternack.com



N Male Right Angle Connector Clamp/Solder Attachment
for PE-SR401AL, PE-SR401FL, RG401

TECHNICAL DATA SHEET

PE4935

Configuration

| | |
|------------------------------------|-------------------------------|
| Connector | N Male |
| Connector Specification | MIL-STD-348A |
| Connector Interface Type | PE-SR401AL, PE-SR401FL, RG401 |
| Attachment Method (Shield/Contact) | Clamp/Solder |
| Body Style | Right Angle |

Electrical Specifications

| | |
|-----------|---------|
| Impedance | 50 Ohms |
|-----------|---------|

Mechanical Specifications

Size

| | |
|------------|--------------------|
| Length | 1.96 in [49.78 mm] |
| Width/Dia. | 0.75 in [19.05 mm] |
| Height | 1.29 in [32.77 mm] |
| Weight | 0.22 lbs [99.79 g] |

Connector

| | |
|------------------------------------|-----------------------|
| Type | N Male |
| Contact Material and Plating | Brass, Gold |
| Contact Plating Specification | 30 μ in. minimum |
| Coupling Nut Material and Plating | Brass, Nickel |
| Coupling Nut Plating Specification | 100 μ in. minimum |
| Body Material and Plating | Brass, Nickel |
| Body Plating Specification | 100 μ in. minimum |
| Dielectric Type | Teflon |

Compliance Certifications (visit www.Pasternack.com for current document)

RoHS Compliant

Click the following link (or enter part number in "SEARCH" on website) to obtain additional part information including price, inventory and certifications: [N Male Right Angle Connector Clamp/Solder Attachment for PE-SR401AL, PE-SR401FL, RG401 PE4935](#)



N Male Right Angle Connector Clamp/Solder Attachment for PE-SR401AL, PE-SR401FL, RG401

TECHNICAL DATA SHEET

PE4935

Plotted and Other Data

Notes:

- Values at +25 °C, sea level

N Male Right Angle Connector Clamp/Solder Attachment for PE-SR401AL, PE-SR401FL, RG401 from Pasternack Enterprises has same day shipment for domestic and International orders. Our RF, microwave and millimeter wave products maintain a 99% availability and are part of the broadest selection in the industry.

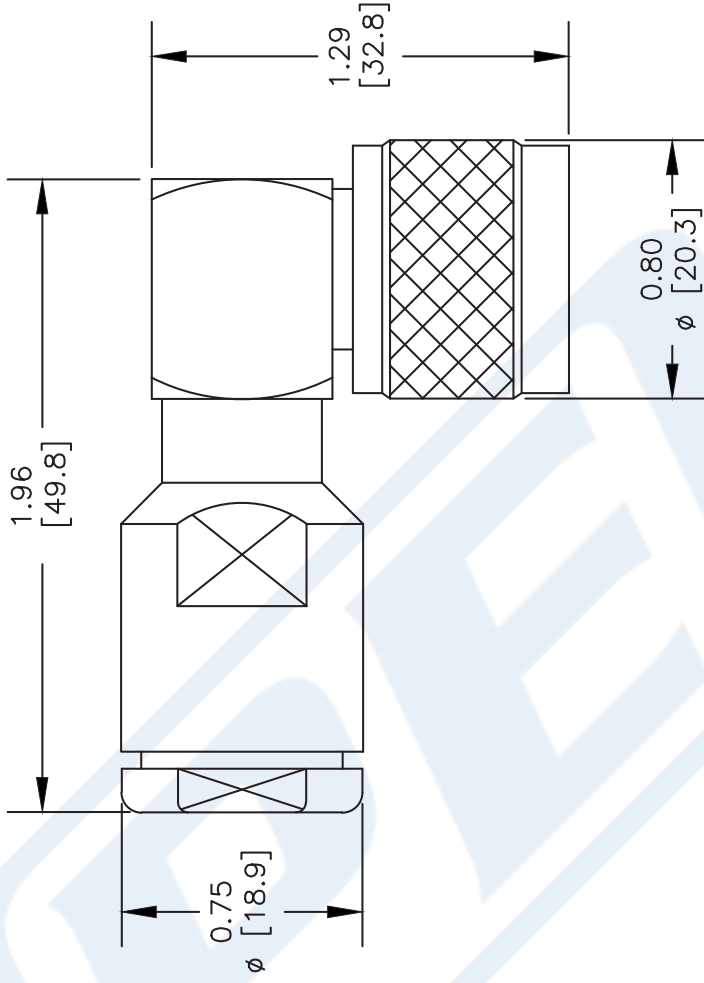
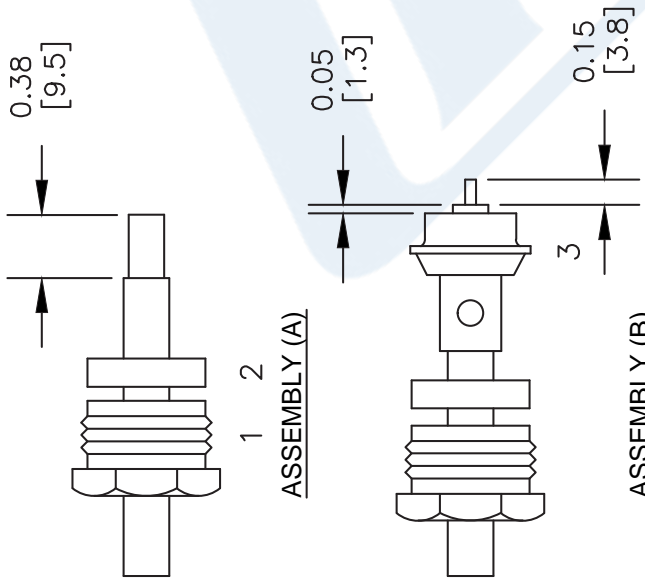
Click the following link (or enter part number in "SEARCH" on website) to obtain additional part information including price, inventory and certifications: [N Male Right Angle Connector Clamp/Solder Attachment for PE-SR401AL, PE-SR401FL, RG401 PE4935](http://www.pasternack.com/n-male-standard-pe-sr401al-pe-sr401fl-rg401-connector-pe4935-p.aspx)

URL: <http://www.pasternack.com/n-male-standard-pe-sr401al-pe-sr401fl-rg401-connector-pe4935-p.aspx>

The information contained in this document is accurate to the best of our knowledge and representative of the part described herein. It may be necessary to make modifications to the part and/or the documentation of the part, in order to implement improvements. Pasternack reserves the right to make such changes as required. Unless otherwise stated, all specifications are nominal. Pasternack does not make any representation or warranty regarding the suitability of the part described herein for any particular purpose, and Pasternack does not assume any liability arising out of the use of any part or documentation.

PE4935 CAD Drawing

N Male Right Angle Connector Clamp/Solder Attachment
for PE-SR401AL, PE-SR401FL, RG401



ASSEMBLY PROCEDURES

1. SLIDE CLAMP NUT (1) & GASKET (2) OVER CABLE. STRIP CABLE AS SHOWN IN ASSEMBLY (A). DO NOT CUT DIELECTRIC.
2. SLIDE ADAPTER (3) OVER CABLE UNTIL ADAPTER (3) BOTTOMS ON OUTER CONDUCTOR. SOLDER ADAPTER (3) TO OUTER CONDUCTOR USING MINIMUM HEAT.
3. STRIP CABLE AS SHOWN IN ASSEMBLY (B). SOLDER CONTACT TO CENTER CONDUCTOR. SLIDE ASSEMBLY FORWARD & TIGHTEN TO BODY.

NOTES:
 1. UNLESS OTHERWISE SPECIFIED ALL DIMENSIONS ARE NOMINAL.
 2. ALL SPECIFICATIONS ARE SUBJECT TO CHANGE WITHOUT NOTICE AT ANY TIME.
 3. DIMENSIONS ARE IN INCHES [mm].
 4. FITS MIL-C-17 AND EQUIVALENT CABLES.

| | | | |
|-----------|---------------|----------|--------|
| DWG TITLE | PE4935 | | |
| FSCM NO. | 53919 | CAD FILE | 061802 |
| SCALE | N/A | SIZE | A |
| | | | XXXX |

PE PASTERNAK®
 Pasternack Enterprises, Inc.
 P.O. Box 16759 | Irvine | CA | 92623
Phone: (949) 261-1920 | **Fax:** (949) 261-7451
Website: www.pasternack.com | **E-Mail:** sales@pasternack.com



RG401 Coax Cable with Copper

TECHNICAL DATA SHEET

RG401/U

RG401 Coax Cable with Copper

Configuration

| | |
|--------------------------------------|----------------|
| Inner Conductor Material and Plating | Copper, Silver |
| Dielectric Type | PTFE |
| Shield Materials | Copper |
| Jacket Material and Color | Tan |

Electrical Specifications

| | |
|---------------------------------------|--------------|
| Impedance, Ohms | 50 |
| Velocity of Propagation, % | 69.5 |
| Maximum Operating Frequency, GHz | 20 |
| Capacitance, pF/ft [pF/m] | 29.6 [97.11] |
| Maximum Operating Voltage, Volts | 3,000 |
| Dielectric Withstanding Voltage, Vrms | 7,500 |

Electrical Specifications by Frequency

Frequency 1

| | |
|---------------------------------|-------------|
| Frequency, MHz | 1000 |
| Attenuation, dB/100ft [dB/100m] | 7.5 [24.61] |
| Power Handling, KWatts | 1,400 |

Frequency 2

| | |
|---------------------------------|-------------|
| Frequency, GHz | 10 |
| Attenuation, dB/100ft [dB/100m] | 33 [108.27] |
| Power Handling, Watts | 350 |

Frequency 3

| | |
|---------------------------------|-------------|
| Frequency, GHz | 20 |
| Attenuation, dB/100ft [dB/100m] | 48 [157.48] |
| Power Handling, Watts | 200 |

Mechanical Specifications

Temperature

| | |
|------------------------|-------------|
| Operating Range, deg C | -55 to +125 |
|------------------------|-------------|

Inner Conductor

| | |
|-------------------|--------------|
| Number of Strands | 1 |
| Material | Copper |
| Plating | Silver |
| Diameter, in [mm] | 0.064 [1.63] |

Click the following link (or enter part number in "SEARCH" on website) to obtain additional part information including price, inventory and certifications: [RG401 Coax Cable with Copper RG401/U](#)

The information contained in this document is accurate to the best of our knowledge and representative of the part described herein. It may be necessary to make modifications to the part and/or the documentation of the part, in order to implement improvements. Pasternack reserves the right to make such changes as required. Unless otherwise stated, all specifications are nominal.



RG401 Coax Cable with Copper

TECHNICAL DATA SHEET

RG401/U

Dielectric:

| | |
|-------------------|--------------|
| Type | PTFE |
| Diameter, in [mm] | 0.209 [5.31] |

Shield:

| | |
|-------------------|-------------|
| Number of | 1 |
| Material 1 | Copper |
| Diameter, in [mm] | 0.25 [6.35] |

Jacket:

| | |
|---------------------------------------|--------------|
| Color | Tan |
| One Time Minimum Bend Radius, in [mm] | 0.25 [6.35] |
| Weight, lbs/ft [Kg/m] | 0.105 [0.16] |

Compliance Certifications (visit www.Pasternack.com for current document)

| | |
|----------------|-----|
| RoHS Compliant | Yes |
|----------------|-----|

Plotted and Other Data

| | |
|--------|----------------------------|
| Notes: | Values at 25 °C, sea level |
|--------|----------------------------|

RG401 Coax Cable with Copper from Pasternack Enterprises has same day shipment for domestic and International orders. Our RF, microwave and fiber optic products maintain a 99% availability and are part of the broadest selection in the industry.

Click the following link (or enter part number in "SEARCH" on website) to obtain additional part information including price, inventory and certifications: [RG401 Coax Cable with Copper RG401/U](#)

URL: <http://www.pasternack.com/semirigid-0.250-rg401-50-ohm-coax-cable-copper-rg401-u-p.aspx>

The information contained in this document is accurate to the best of our knowledge and representative of the part described herein. It may be necessary to make modifications to the part and/or the documentation of the part, in order to implement improvements. Pasternack reserves the right to make such changes as required. Unless otherwise stated, all specifications are nominal.

PASTERNAK ENTERPRISES RG401/U

IMPEDANCE: 50 OHMS
 INNER CONDUCTOR DIAMETER: .0641"
 INNER CONDUCTOR MATERIAL: SILVER COVERED COPPER
 DIELECTRIC DIAMETER: .209"
 DIELECTRIC MATERIAL: SOLID POLYTETRAFLUOROETHYLENE
 OUTER DIAMETER: .250"
 OUTER SHIELD: BARE COPPER TUBE
 OPERATING TEMPERATURE: - 55° TO + 150° C
 MAX OPERATING VOLTAGE (VOLTS RMS): 3,000

NOMINAL ATTENUATION (PER 100 FEET)

| | |
|--------|----------|
| 1 GHz | 7.5 dB |
| 10 GHz | 33.0 dB |
| 20 GHz | 48.00 dB |

MAXIMUM POWER HANDLING (AVERAGE POWER IN WATTS)

| | |
|--------|-------|
| 1 GHz | 1,400 |
| 10 GHz | 350 |
| 20 GHz | 200 |



PASTERNAK ENTERPRISES, INC.
 P.O. BOX 16759, IRVINE, CA 92623
 PHONE (949) 261-1920 FAX (949) 261-7451
 WEB ADDRESS: www.pasternack.com
 E-MAIL ADDRESS: sales@pasternack.com
COAXIAL & FIBER OPTICS

DWG TITLE

RG401/U

NOTES:
 1. UNLESS OTHERWISE SPECIFIED ALL DIMENSIONS ARE NOMINAL.
 2. ALL SPECIFICATIONS ARE SUBJECT TO CHANGE WITHOUT NOTICE AT ANY TIME.
 3. DIMENSIONS ARE IN INCHES [mm].

REV. B

FSCM NO. 53919

CAD FILE 070512

SCALE N/A

SIZE A

2233