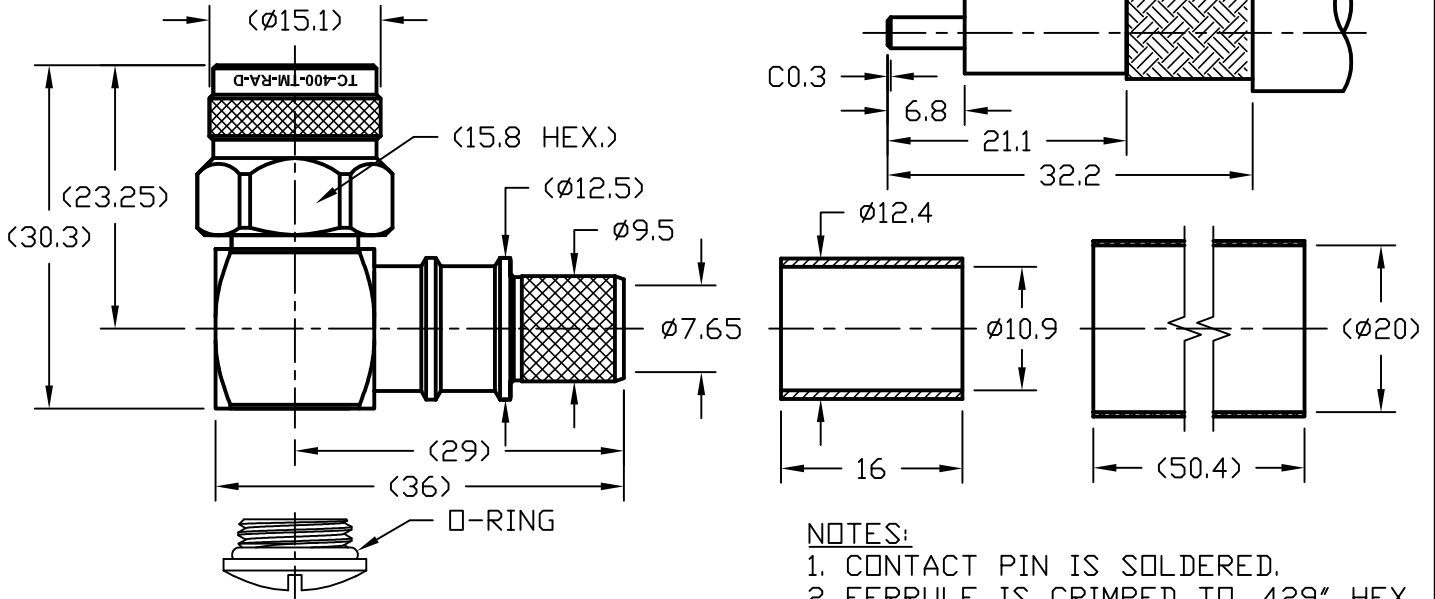


**NOTICE OF PROPRIETARY RIGHTS** THIS DOCUMENT CONTAINS CONFIDENTIAL TECHNICAL DATA, INCLUDING TRADE SECRETS, PROPRIETARY TO TIMES MICROWAVE SYSTEMS. DISCLOSURE OF THIS DATA IS EXPRESSLY CONDITIONED UPON YOUR ASSENT THAT ITS USE IS LIMITED TO USE WITHIN YOUR COMPANY ONLY. ANY OTHER USE IS STRICTLY PROHIBITED WITHOUT THE PRIOR WRITTEN CONSENT OF TIMES MICROWAVE SYSTEMS.

| SYM | REVISION DESCRIPTION         | DFTM   | DATE    | APPD   | DATE    |
|-----|------------------------------|--------|---------|--------|---------|
| A   | RELEASED FOR PRODUCTION      | K.A.M. | 6/3/11  | J.D.B. | 6/3/11  |
| B   | CHANGED PER CDC #34607/36250 | D.J.H. | 9/24/12 | J.D.B. | 9/25/12 |

RECOMMENDED CABLE STRIPPING DIM'S.



- NOTES:  
 1. CONTACT PIN IS SOLDERED.  
 2. FERRULE IS CRIMPED TO .429" HEX.

ALL PARTS SATISFIED ROHS REQUIREMENTS

| MATERIALS AND PLATING |                    | UNIT: MICRO-INCHES        |
|-----------------------|--------------------|---------------------------|
| BODY/SHELL            | BRASS C3604        | ALBALOY 80 MIN/COPPER     |
| CONTACT PIN           | BRASS C3604        | GOLD 50 MIN/NICKEL/COPPER |
| INSULATOR             | TEFLON MIL-P-19468 | N/A                       |
| GASKET                | SILICONE           | RED                       |
| FERRULE               | BRASS              | ALBALOY 80 MIN/COPPER     |
| SHRINK TUBING         | PO                 | BLACK                     |

| ELECTRICAL CHARACTERISTICS      |                        |
|---------------------------------|------------------------|
| Impedance                       | 50 Ω                   |
| Frequency range                 | 0~11GHz                |
| Voltage rating                  | 500V(rms)              |
| Dielectric withstanding voltage | 1000V                  |
| Contact resistance              | Center contact ≤ 3 mΩ  |
|                                 | Outer contact ≤ 2 mΩ   |
| Insulation resistance           | ≥ 5000MΩ               |
| Insertion loss                  | According to the cable |
| RF-leakage                      | N/A                    |
| VSWR                            | ≤ 1.35 MAX@0-6GHz      |

| MECHANICAL CHARACTERISTICS     |               |
|--------------------------------|---------------|
| Force to engage and disengage  | N/A           |
| Center contact retention force | 6 lbs Min     |
| Coupling torque                | 15 in-lbs Min |
| Coupling nut retention force   | 60 lbs Min    |
| Durability                     | ≥ 500 cycles  |

| ENVIRONMENTAL CHARACTERISTICS |                                 |
|-------------------------------|---------------------------------|
| Temperature range             | -55°C - +125°C                  |
| Thermal Shock                 | MIL-STD-202, Method 107, Cond B |
| Vibration                     | MIL-STD-202, Method 204, Cond B |
| Shock                         | MIL-STD-202, Method 213, Cond I |
| Climatic Class                | IEC 60068 55/155/56             |

|              |  |                |   |        |             |        |
|--------------|--|----------------|---|--------|-------------|--------|
| MATL:        | UNLESS OTHERWISE SPECIFIED   | DFTM: K. A. M. | TIMES MICROWAVE SYSTEMS                                   |        |             |        |
| USED ON: 0-4 | ALL DIMENSIONS ARE IN mm<br>MACHINED SURFACES FINISH 1.6 RMS MAX.<br>REMOVE ALL BURRS 0.15X45° MAX. BREAK<br>MACHINE CORNERS 0.15X45°D MAX. FILLET R.<br>TOLERANCES ON DECIMALS<br>.X ± 0.3 .XX ± 0.2<br>ANGLES ± 1° FRACTIONS ± N/A | DATE: 6/3/11   | <b>TC-400-TM-RA-D</b><br>90° TNC MALE<br>FOR LMR400 CABLE |        |             |        |
|              |  | CHKD: J. D. B. |   |        |             |        |
|              |  | DATE: 6/3/11   |   |        |             |        |
| SCALE: N/A   | DWG. SIZE: A   | APPD: J. D. B. | DATE: 6/3/11  | 1 of 1 | SD3190-2671 | REV: B |



N Male Right Angle Connector Crimp/Solder Attachment for PE-C400, PE-B400, PE-B405, LMR-400, LMR-400-DB, LMR-400-UF, 0.400 inch

## RF Connectors Technical Data Sheet

**PE44526**

### Configuration

- N Male Connector
- MIL-STD-348A
- 50 Ohms
- Right Angle Body Geometry
- Connector Interface Types: PE-C400, PE-B400, PE-B405, LMR-400, LMR-400-DB, LMR-400-UF, .400 inch

### Features

- Max. Operating Frequency 11 GHz
- Gold Plated Brass Contact
- 30 µin minimum contact plating

### Applications

- General Purpose Test
- Custom Cable Assemblies

### Description

Pasternack's PE44526 type N male right angle connector with crimp/solder attachment for PE-C400, PE-B400, PE-B405, LMR-400, LMR-400-DB, LMR-400-UF and .400 inch is part of our full line of RF components available for same-day shipping. Our type N male connector operates up to a maximum frequency of 11 GHz. Its right angle body geometry allows for easier connections in tight spaces.

Our type N male right angle connector PE44526 datasheet specifications and drawing with dimensions are shown below in this PDF. Pasternack's broad catalog of RF, microwave and millimeter wave connectors allows designers to configure and customize their signal connections however they like. Whether the need is to provide an I/O for a board design, or simply create a custom cable assembly configuration, Pasternack has the right connector for the job. Pasternack can also expertly build your custom cable assemblies for you and ship same-day.

### Electrical Specifications

| Description                          | Minimum | Typical | Maximum | Units |
|--------------------------------------|---------|---------|---------|-------|
| Frequency Range                      | DC      |         | 11      | GHz   |
| Operating Voltage (AC)               |         |         | 1,500   | Vrms  |
| Dielectric Withstanding Voltage (AC) |         |         | 2,500   | Vrms  |
| Inner Conductor DC Resistance        |         |         | 1       | mOhms |
| Outer Conductor DC Resistance        |         |         | 1       | mOhms |
| Insulation Resistance                | 5,000   |         |         | MOhms |
| RF Leakage                           | 90      |         |         | dB    |

Click the following link (or enter part number in "SEARCH" on website) to obtain additional part information including price, inventory and certifications: [N Male Right Angle Connector Crimp/Solder Attachment for PE-C400, PE-B400, PE-B405, LMR-400, LMR-400-DB, LMR-400-UF, 0.400 inch PE44526](#)



N Male Right Angle Connector Crimp/Solder Attachment for PE-C400, PE-B400, PE-B405, LMR-400, LMR-400-DB, LMR-400-UF, 0.400 inch

## RF Connectors Technical Data Sheet

**PE44526**

### Performance by Frequency

| Description         | F1      | F2 | F3 | F4 | F5 | Units |
|---------------------|---------|----|----|----|----|-------|
| Frequency Range     | DC to 6 |    |    |    |    | GHz   |
| VSWR, Max           | 1.5:1   |    |    |    |    |       |
| Insertion Loss, Max | 0.15    |    |    |    |    | dB    |

### Mechanical Specifications

#### Size

|               |                     |
|---------------|---------------------|
| Length        | 1.31 in [33.27 mm]  |
| Width/Dia.    | 0.83 in [21.08 mm]  |
| Height        | 1.31 in [33.27 mm]  |
| Weight        | 0.109 lbs [49.44 g] |
| Mating Cycles | 500 Cycles          |

#### Material Specifications

| Description  | Material | Plating                |
|--------------|----------|------------------------|
| Contact      | Brass    | Gold<br>30 µin minimum |
| Insulation   | PTFE     |                        |
| Body         | Brass    | Tri-Metal              |
| Coupling Nut | Brass    | Tri-Metal              |

### Environmental Specifications

#### Temperature

|                   |                                      |
|-------------------|--------------------------------------|
| Operating Range   | -65 to +165 deg C                    |
| Vibration         | MIL-STD-202, Method 204, Condition B |
| Temperature Cycle | MIL-STD-202, Method 107, Condition B |
| Salt Spray        | MIL-STD-202, Method 101, Condition B |

**Compliance Certifications** (see [product page](#) for current document)

### Plotted and Other Data

Notes:

Click the following link (or enter part number in "SEARCH" on website) to obtain additional part information including price, inventory and certifications: [N Male Right Angle Connector Crimp/Solder Attachment for PE-C400, PE-B400, PE-B405, LMR-400, LMR-400-DB, LMR-400-UF, 0.400 inch PE44526](#)



N Male Right Angle Connector Crimp/Solder Attachment for PE-C400, PE-B400, PE-B405, LMR-400, LMR-400-DB, LMR-400-UF, 0.400 inch

## RF Connectors Technical Data Sheet

**PE44526**

N Male Right Angle Connector Crimp/Solder Attachment for PE-C400, PE-B400, PE-B405, LMR-400, LMR-400-DB, LMR-400-UF, 0.400 inch from Pasternack Enterprises has same day shipment for domestic and International orders. Our RF, microwave and millimeter wave products maintain a 99.4% availability and are part of the broadest selection in the industry.

Click the following link (or enter part number in "SEARCH" on website) to obtain additional part information including price, inventory and certifications: [N Male Right Angle Connector Crimp/Solder Attachment for PE-C400, PE-B400, PE-B405, LMR-400, LMR-400-DB, LMR-400-UF, 0.400 inch PE44526](https://www.pasternack.com/n-male-standard-pe-c400-0.400-connector-pe44526-p.aspx)

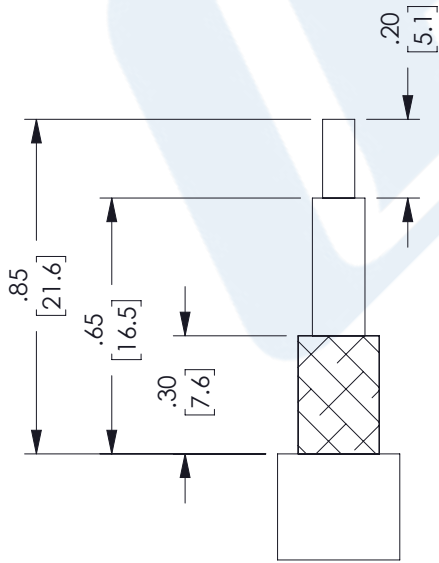
URL: <https://www.pasternack.com/n-male-standard-pe-c400-0.400-connector-pe44526-p.aspx>

The information contained in this document is accurate to the best of our knowledge and representative of the part described herein. It may be necessary to make modifications to the part and/or the documentation of the part, in order to implement improvements. Pasternack reserves the right to make such changes as required. Unless otherwise stated, all specifications are nominal. Pasternack does not make any representation or warranty regarding the suitability of the part described herein for any particular purpose, and Pasternack does not assume any liability arising out of the use of any part or documentation.

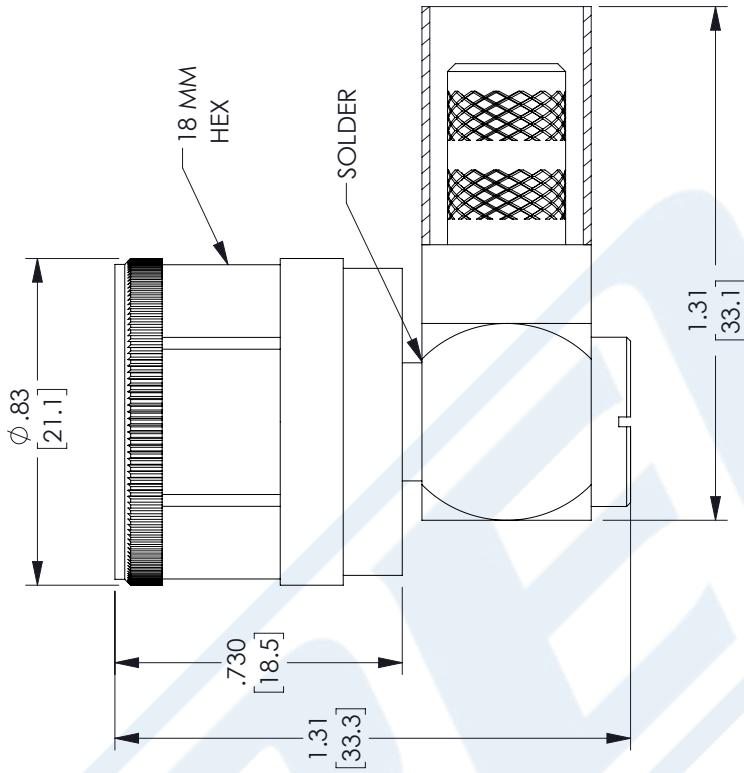
# PE44526 CAD Drawing

N Male Right Angle Connector Crimp/Solder Attachment for PE-C400, PE-B400, PE-B405, LMR-400, LMR-400-DB, LMR-400-UF, 0.400 inch

| REVISIONS |                 |            |
|-----------|-----------------|------------|
| REV.      | DESCRIPTION     | DATE       |
| B         | PE44526 2022085 | 08/26/2022 |
|           |                 | AMARG      |



STRIPPING DIMENSIONS



### ASSEMBLY PROCEDURES

1. STRIP CABLE AS SHOWN, SLIDE FERRULE OVER CABLE.
2. INSTALL CABLE INTO BODY OF CONNECTOR AND SOFT SOLDER CENTER CONDUCTOR IN PLACE.
3. CRIMP FERRULE & SCREW CAP DOWN.

### CRIMP SIZE REQUIRED

FERRULE: .429" HEX CRIMP TOOL

UNLESS OTHERWISE SPECIFIED LEADING DIMENSIONS ARE INCHES DIMENSIONS IN [ ] ARE MILLIMETERS

TOLERANCES:

|              |        |             |        |
|--------------|--------|-------------|--------|
| .X = ±.2     | [5.08] | FRACTIONS   |        |
| .XX = ±.02   | [.51]  |             | ± 1/32 |
| .XXX = ±.005 | [.13]  | ANGLES ± 1° |        |

CABLE LENGTH (L) TOLERANCES:

|                      |        |                 |
|----------------------|--------|-----------------|
| L ≤ 12               | [305]  | = +1 [25] / -0  |
| 12 [305] < L ≤ 60    | [1524] | = +2 [51] / -0  |
| 60 [1524] < L ≤ 120  | [3048] | = +4 [102] / -0 |
| 120 [3048] < L ≤ 300 | [7620] | = +6 [152] / -0 |
| 300 [7620] < L       |        | = +5%L / -0     |

ALL DIMENSIONS SHOWN ARE FOR REFERENCE ONLY.

**PE PASTERNAK**  
an INFINITI® brand

Pasternack Enterprises, Inc.  
P. O. Box 16759, Irvine, CA 92623.  
Phone: 1.949.261.1920 | 1.866.727.8376  
Fax: 1.949.261.7451  
Website: www.pasternack.com  
E-mail: sales@pasternack.com

THIRD-ANGLE PROJECTION

THE INFORMATION AND DESIGN IN THIS DOCUMENT IS THE PROPERTY OF PASTERNAK CORPORATION ALL RIGHTS RESERVED.

SHEET 1 OF 1  
SCALE N/A

REV B

ITEM NO. PE44526

DRAWN BY WZHANG

CAGE CODE A 53919

THESE COMMODITIES, TECHNOLOGY OR SOFTWARE WERE EXPORTED FROM THE UNITED STATES IN ACCORDANCE WITH THE EXPORT ADMINISTRATION REGULATIONS. DIVERSION CONTRARY TO U.S. LAW PROHIBITED.

# LMR<sup>®</sup>-400 Flexible Low Loss Communications Coax

## Ideal for...

- Drop-in replacement for RG-8/9913 Air-Dielectric type Cable
- Jumper Assemblies in Wireless Communications Systems
- Short Antenna Feeder runs
- Any application (e.g. WLL, GPS, LMR, WLAN, WISP, WiMax, SCADA, Mobile Antennas) requiring an easily routed, low loss RF cable



- **LMR<sup>®</sup>** standard is a UV Resistant Polyethylene jacketed cable designed for 20-year service outdoor use. The bending and handling characteristics are significantly better than air-dielectric and corrugated hard-line cables.
- **LMR<sup>®</sup>-DB** is identical to standard LMR plus has the advantage of being watertight. The addition of waterproofing compound in and around the foil/braid insures continuous reliable service should the jacket be inadvertently damaged during installation or in the future.
- **LMR<sup>®</sup>-FR** is a non-halogen (non-toxic), low smoke, fire retardant cable designed for in-building runs that can be routed anywhere except air handling plenums. LMR-FR is UL/NEC & CSA rated 'CMR' and 'FT4' respectively, meets FAA FAR25 requirements and is MSHA-P for mining applications.
- **LMR<sup>®</sup>-FR-PVC** is a general-purpose indoor cable and has a UL/NEC & CSA rating of 'CMR' and 'FT4' respectively. It is less expensive than LMR-FR, however it emits toxic fumes (HCL) and greater smoke density when burned.
- **LMR<sup>®</sup>-PVC** is designed for low loss general-purpose applications and is somewhat more flexible than the standard polyethylene jacketed LMR.
- **LMR<sup>®</sup>-PVC-W** is a white-jacketed version of LMR-PVC for marine and other applications where color compatibility is desired.

- **Flexibility** and bendability are hallmarks of the LMR-400 cable design. The flexible outer conductor enables the tightest bend radius available for any cable of similar size and performance.
- **Low Loss** is another hallmark feature of LMR-400.

Size for size LMR has the lowest loss of any flexible cable and comparable loss to semirigid hard-line cables.

- **RF Shielding** is 50 dB greater than typical single shielded coax (40 dB). The multi-ply bonded foil outer conductor is rated conservatively at > 90 dB (i.e. >180 dB between two adjacent cables).
- **Weatherability:** LMR-400 cables designed for outdoor exposure incorporate the best materials for UV resistance and have life expectancy in excess of 20 years.
- **Connectors:** A wide variety of connectors are available for LMR-400 cable, including all common interface types, reverse polarity, and a choice of solder or non-solder center pins. Most LMR connectors employ crimp outer attachment using standard hex crimp sizes.
- **Cable Assemblies:** All LMR-400 cable types are available as pre-terminated cable assemblies. Refer to the section on FlexTech for further details.

| Part Description |                      |           |       |       | Stock |
|------------------|----------------------|-----------|-------|-------|-------|
| Part Number      | Application          | Jacket    | Color | Code  | Code  |
| LMR-400          | Outdoor              | PE        | Black | 54001 |       |
| LMR-400-DB       | Outdoor/Watertight   | PE        | Black | 54091 |       |
| LMR-400-FR       | Indoor/Outdoor Riser | CMR FRPE  | Black | 54030 |       |
| LMR-400-FR-PVC   | Indoor/Outdoor Riser | CMR FRPVC | Black | 54073 |       |
| LMR-400-PVC      | General Purpose      | PVC       | Black | 54218 |       |
| LMR-400-PVC-W    | General Purpose      | PVC       | White | 54204 |       |

| Construction Specifications |                   |       |         |
|-----------------------------|-------------------|-------|---------|
| Description                 | Material          | In.   | (mm)    |
| Inner Conductor             | Solid BCCAI       | 0.108 | (2.74)  |
| Dielectric                  | Foam PE           | 0.285 | (7.24)  |
| Outer Conductor             | Aluminum Tape     | 0.291 | (7.39)  |
| Overall Braid               | Tinned Copper     | 0.320 | (8.13)  |
| Jacket                      | (see table above) | 0.405 | (10.29) |

# LMR<sup>®</sup>-400 Flexible Low Loss Communications Coax



## Connectors

| Interface       | Description      | Part Number       | Stock Code | VSWR**<br>Freq. (GHz) | Coupling<br>Nut | Inner<br>Contact<br>Attach | Outer<br>Contact<br>Attach | Finish*<br>Body<br>/Pin | Length<br>in<br>(mm) | Width<br>in<br>(mm) | Weight<br>lb(g) |
|-----------------|------------------|-------------------|------------|-----------------------|-----------------|----------------------------|----------------------------|-------------------------|----------------------|---------------------|-----------------|
| 7-16 DIN Female | Straight Jack    | TC-400-716-FC     | 3190-376   | <1.25:1 (2.5)         | NA              | Solder                     | Clamp                      | S/S                     | 1.6 (41)             | 1.13 (28.7)         | 0.281 (127.5)   |
| 7-16 DIN Male   | Straight Plug    | EZ-400-716M-X     | 3190-2524  | <1.25:1 (6)           | Hex             | Spring Finger Crimp        |                            | A/G                     | 1.6 (39.5)           | 1.38 (35)           | 0.277 (126.0)   |
| 7-16 DIN Male   | Straight Plug    | TC-400-716-MC     | 3190-279   | <1.25:1 (2.5)         | Hex             | Solder                     | Clamp                      | S/S                     | 1.4 (36)             | 1.40 (35.6)         | 0.268 (121.6)   |
| 7-16 DIN Male   | Right Angle      | TC-400-716MC-RA   | 3190-1671  | <1.25:1 (<3)          | Hex             | Solder                     | Clamp                      | A/S                     | 2.4 (61.5)           | 1.88 (47.8)         | 0.35 (159)      |
| 7-16DIN Male    | Right Angle      | EZ-400-716M-RA-X  | 3190-2545  | <1.35:1 (6)           | Hex             | Spring Finger Crimp        |                            | A/G                     | 1.6 (41.7)           | 1.75 (44.3)         | 0.374 (0.17)    |
| BNC Male        | Straight Plug    | TC-400-BM         | 3190-318   | <1.25:1 (2.5)         | Knurl           | Solder                     | Crimp                      | N/S                     | 1.7 (43)             | 0.56 (14.2)         | 0.063 (28.6)    |
| HN Male         | Straight Plug    | TC-400-HNM        | 3190-923   | <1.25:1 (<1)          | Knurl           | Solder                     | Clamp                      | S/G                     | 2.3 (59.2)           | 0.88 (22.4)         | 0.25 (113.4)    |
| HN Male         | Right Angle      | TC-400-HNM-RA     | 3190-2541  | <1.25:1 (2.5)         | Hex             | Solder                     | Crimp                      | A/G                     | 1.6 (41.4)           | 1.56 (39.6)         | 0.198 (90.0)    |
| QDS Male        | Straight Plug    | TC-400-QDSM       | 3190-620   | <1.25:1 (<3)          | Knurl           | Solder                     | Clamp                      | A/G                     | 1.8 (46.6)           | 1.00 (25.4)         | 0.25 (113.4)    |
| Mini-UHF        | Straight Plug    | TC-400-MUHF       | 3190-520   | <1.25:1 (2.5)         | Knurl           | Solder                     | Crimp                      | N/G                     | 1.1 (28)             | 0.50 (12.7)         | 0.020 (9.1)     |
| N Female        | Straight Jack    | TC-400-NFC        | 3190-299   | <1.25:1 (2.5)         | NA              | Solder                     | Clamp                      | N/S                     | 1.6 (41)             | 0.75 (19.1)         | 0.119 (54.0)    |
|                 | Straight Jack    | EZ-400-NF         | 3190-956   | <1.25:1 (2.5)         | NA              | Spring Finger Crimp        |                            | N/G                     | 1.8 (45)             | 0.66 (16.8)         | 0.105 (47.6)    |
|                 | Straight Jack    | TC-400-NF         | 3190-2255  | <1.25:1 (2.5)         | NA              | Solder                     | Crimp                      | N/G                     | 1.8 (45)             | 0.66 (16.8)         | 0.105 (47.6)    |
|                 | Bulkhead Jack    | EZ-400-NF-BH      | 3190-518*  | <1.25:1 (2.5)         | NA              | Spring Finger Crimp        |                            | N/G                     | 1.8 (46)             | 0.88 (22.4)         | 0.102 (46.3)    |
|                 | Bulkhead Jack    | TC-400-NFC-BH (A) | 3190-872   | <1.25:1 (2.5)         | NA              | Solder                     | Clamp                      | A/G                     | 1.8 (46)             | 0.88 (22.4)         | 0.145 (65.8)    |
| N Male          | Straight Plug    | SC-400-NM         | 3190-1454  | <1.25:1 (2.5)         | Knurl           | Solder                     | Crimp                      | N/G                     | 1.5 (38)             | 0.75 (19.1)         | 0.090 (40.8)    |
|                 | Straight Plug    | TC-400-NMC        | 3190-277   | <1.25:1 (2.5)         | Knurl           | Solder                     | Clamp                      | N/G                     | 1.5 (38)             | 0.70 (17.8)         | 0.121 (54.9)    |
|                 | Straight Plug    | EZ-400-NMC-2      | 3190-2640  | <1.25:1 (2.5)         | Hex/Knurl       | Spring Finger Crimp        |                            | N/G                     | 1.5 (38)             | 0.75 (19.1)         | 0.121 (54.9)    |
|                 | Straight Plug    | EZ-400-NMH-X      | 3190-2590  | <1.25:1 (10)          | Hex/Knurl       | Spring Finger Crimp        |                            | A/G                     | 1.5 (38)             | 0.89 (22.6)         | 0.103 (46.8)    |
|                 | Straight Plug    | TC-400-NMH-X      | 3190-2626  | <1.25:1 (10)          | Hex/Knurl       | Solder                     | Crimp                      | A/G                     | 1.5 (38)             | 0.89 (22.6)         | 0.113 (51.3)    |
|                 | Straight Plug    | EZ-400-NMK        | 3190-661   | <1.25:1 (10)          | Knurl           | Spring Finger Crimp        |                            | S/G                     | 1.5 (38)             | 0.75 (22.6)         | 0.113 (51.3)    |
|                 | Right Angle      | EZ-400-NMH-RA-X   | 3190-2638  | <1.35:1 (6)           | Hex/Knurl       | Spring Finger Crimp        |                            | A/G                     | 1.87 (47)            | 1.42 (36.0)         | 0.177 (80.2)    |
|                 | Right Angle      | TC-400-NMH-RA-D   | 3190-2293* | <1.35:1 (6)           | Hex/Knurl       | Solder                     | Crimp                      | A/G                     | 1.8 (46)             | 1.25 (31.8)         | 0.130 (59.0)    |
|                 | Right Angle      | TC-400-NMC-RA (A) | 3190-870   | <1.35:1 (2.5)         | Hex             | Solder                     | Clamp                      | A/G                     | 1.8 (46)             | 1.25 (31.8)         | 0.150 (68.0)    |
|                 | Reverse Polarity | TC-400-NM-RP      | 3190-960   | <1.25:1 (2.5)         | Knurl           | Solder                     | Crimp                      | N/G                     | 1.5 (38)             | 0.75 (19.1)         | 0.090 (40.8)    |
| SMA Male        | Straight Plug    | TC-400-SM         | 3190-439   | <1.25:1 (8)           | Hex             | Solder                     | Crimp                      | N/G                     | 1.2 (29)             | 0.50 (12.7)         | 0.032 (14.5)    |
| TNC Female      | Reverse Polarity | TC-400-TF-RP      | 3190-1063  | <1.25:1 (2.5)         | NA              | Solder                     | Crimp                      | N/G                     | 1.8 (46)             | 0.55 (14.0)         | 0.074 (33.6)    |
|                 | Reverse Polarity | EZ-400-TF-RP      | 3190-795   | <1.25:1 (2.5)         | NA              | Spring Finger Crimp        |                            | A/G                     | 1.8 (46)             | 0.55 (14.0)         | 0.074 (33.6)    |
| TNC Male        | Straight Plug    | TC-400-TM-X       | 3190-2532  | <1.25:1 (6)           | Hex/Knurl       | Solder                     | Crimp                      | A/G                     | 1.9 (48)             | 0.67 (17.5)         | 0.075 (34.3)    |
|                 | Straight Plug    | EZ-400-TM-X       | 3190-2533  | <1.25:1 (6)           | Hex/Knurl       | Spring Finger Crimp        |                            | A/G                     | 1.9 (48)             | 0.67 (17.5)         | 0.075 (34.3)    |
|                 | Right Angle      | TC-400-TM-RA      | 3190-442*  | <1.35:1 (2.5)         | Knurl           | Solder                     | Crimp                      | N/G                     | 1.7 (43)             | 0.59 (15.0)         | 0.085 (38.6)    |
|                 | Reverse Polarity | TC-400-TM-RP      | 3190-1062  | <1.25:1 (2.5)         | Knurl           | Solder                     | Crimp                      | N/G                     | 1.7 (43)             | 0.59 (15.0)         | 0.074 (33.6)    |
|                 | Reverse Polarity | EZ-400-TM-RP      | 3190-794   | <1.25:1 (2.5)         | Knurl           | Spring Finger Crimp        |                            | A/G                     | 1.7 (43)             | 0.59 (15.0)         | 0.074 (33.6)    |