



4.3-10 Male Low PIM Push-On Connector Solder Attachment for PE-1/2SFHC, IP67 Rated

RF Connectors Technical Data Sheet

PE45300

Configuration

- Push-On 4.3-10 Male Connector
- Straight Body Geometry
- PE-1/2SFHC Interface Type
- Solder/Solder Attachment
- Low PIM Design

Features

- Max. Operating Frequency 6 GHz
- Excellent VSWR of 1.12:1
- PIM levels lower than -166 dBc
- Silver Plated Brass Contact
- IP 67 (Mated)
- Low Coupling Torque
- Corrosion Resistant Tri-Metal Finish
- Low-PIM rating of -166 dBc

Applications

- General Purpose Test
- Wireless Communications
- Custom Cable Assemblies
- Low PIM Applications
- Mobile Communications Systems
- Base Stations
- Distributed Antenna Systems (DAS)
- Small Cells
- Feeder Cables

Description

Pasternack's PE45300 4.3-10 male push-on connector with solder/solder attachment for PE-1/2SFHC is part of our full line of RF components available for same-day shipping. Our 4.3-10 male connector operates up to a maximum frequency of 6 GHz and offers excellent VSWR of 1.12:1. The 4.3-10 male connector also has low passive intermodulation of -166 dBc. The connector has an IP67 rating to protect against dust and temporary moisture protection under immersion conditions.

Our 4.3-10 male connector PE45300 datasheet specifications and drawing with dimensions are shown below in this PDF. Pasternack's broad catalog of RF, microwave and millimeter wave connectors allows designers to configure and customize their signal connections however they like. Whether the need is to provide an I/O for a board design, or simply create a custom cable assembly configuration, Pasternack has the right connector for the job. Pasternack can also expertly build your custom cable assemblies for you and ship same-day.

Electrical Specifications

Description	Minimum	Typical	Maximum	Units
Frequency Range	DC		6	GHz
VSWR			1.12:1	
Insertion Loss			0.13	dB
Passive Intermodulation		-166		dBc
Operating Voltage (AC)			1,000	Vrms
Dielectric Withstanding Voltage (AC)			2,500	Vrms
Insulation Resistance	5,000			MOhms

Click the following link (or enter part number in "SEARCH" on website) to obtain additional part information including price, inventory and certifications: [4.3-10 Male Low PIM Push-On Connector Solder Attachment for PE-1/2SFHC, IP67 Rated PE45300](#)



4.3-10 Male Low PIM Push-On Connector Solder Attachment for PE-1/2SFHC, IP67 Rated

RF Connectors Technical Data Sheet

PE45300

Mechanical Specifications

Size

Length	1.06 in [26.92 mm]
Width/Dia.	1 in [25.40 mm]
Weight	0.073 lbs [33.11 g]
Mating Cycles	100 Cycles

Material Specifications

Description	Material	Plating
Contact	Brass	Silver
Insulation	PTFE	
Body	Brass	Tri-Metal
Coupling Nut	Brass	Tri-Metal
Gasket	EPDM Rubber	

Environmental Specifications

Temperature

Operating Range	-55 to +90 deg C
Ingress Protection (IP) Rating	IP 67 (Mated)

Click the following link (or enter part number in "SEARCH" on website) to obtain additional part information including price, inventory and certifications: [4.3-10 Male Low PIM Push-On Connector Solder Attachment for PE-1/2SFHC, IP67 Rated PE45300](#)



4.3-10 Male Low PIM Push-On Connector Solder Attachment for PE-1/2SFHC, IP67 Rated

RF Connectors Technical Data Sheet

PE45300

Compliance Certifications (see [product page](#) for current document)

Plotted and Other Data

Notes:

4.3-10 Male Low PIM Push-On Connector Solder Attachment for PE-1/2SFHC, IP67 Rated from Pasternack Enterprises has same day shipment for domestic and International orders. Our RF, microwave and millimeter wave products maintain a 99.4% availability and are part of the broadest selection in the industry.

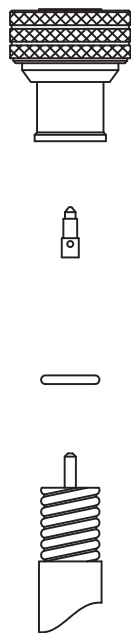
Click the following link (or enter part number in "SEARCH" on website) to obtain additional part information including price, inventory and certifications: [4.3-10 Male Low PIM Push-On Connector Solder Attachment for PE-1/2SFHC, IP67 Rated PE45300](#)

URL: <https://www.pasternack.com/4.3-10-male-pe-1-2sfhc-connector-pe45300-p.aspx>

The information contained in this document is accurate to the best of our knowledge and representative of the part described herein. It may be necessary to make modifications to the part and/or the documentation of the part, in order to implement improvements. Pasternack reserves the right to make such changes as required. Unless otherwise stated, all specifications are nominal. Pasternack does not make any representation or warranty regarding the suitability of the part described herein for any particular purpose, and Pasternack does not assume any liability arising out of the use of any part or documentation.

PE45300 CAD Drawing

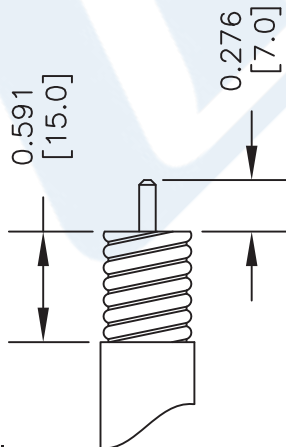
4.3-10 Male Low PIM Push-On Connector Solder Attachment for PE-1/2SFHC, IP67 Rated



CABLE INSULATOR CONTACT BODY

ASSEMBLY PROCEDURES

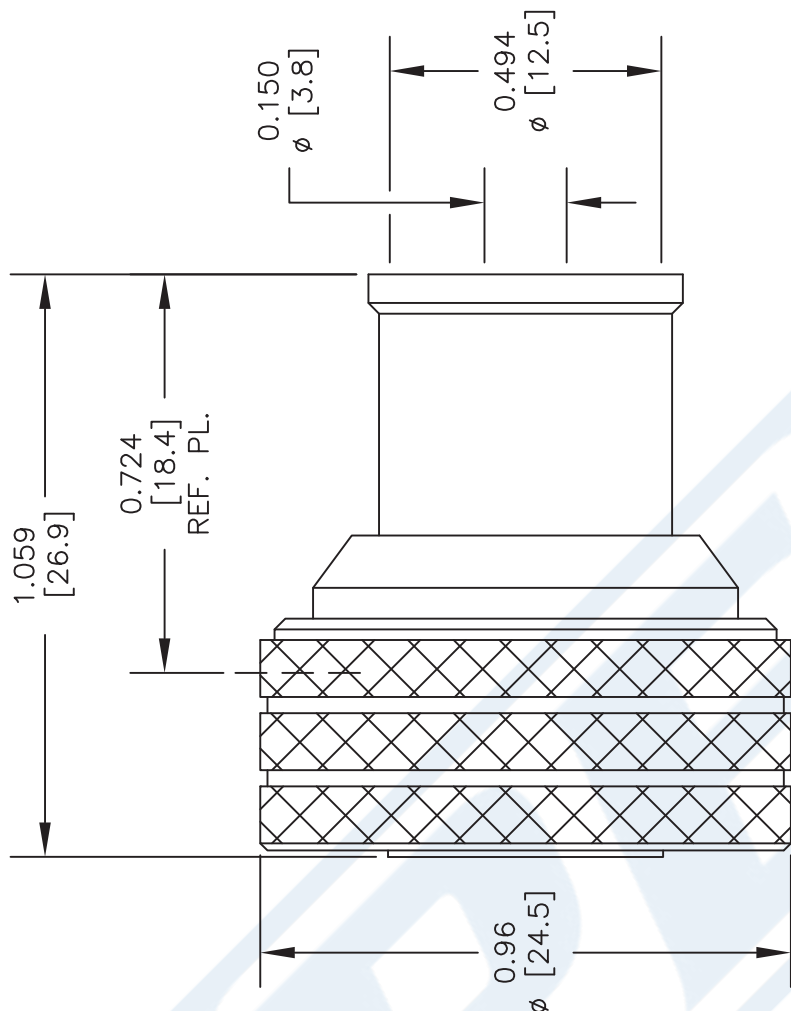
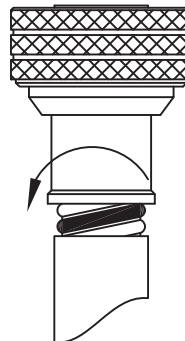
1. STRIP CABLE AS SHOWN, CHAMFER CENTER CONDUCTOR & DEBURR CABLE.



2. INSERT INSULATOR CLIP, INSERT CENTER CONTACT AND SOLDER. WRAP THE CABLE BY SOLDER WIRE (Dia 1.2mm).



3. PUSH THE CONNECTOR BODY INTO THE CABLE, UNTIL IT STOPS. SOLDER THE CONNECTOR BODY WITH CABLE.



STANDARD TOLERANCES

.X ±0.2
.XX ±0.1
.XXX ±0.05

*STANDARD TOLERANCES APPLY ONLY TO DIMENSIONS IN INCHES

DWG TITLE

PE45300

NOTES:
1. UNLESS OTHERWISE SPECIFIED ALL DIMENSIONS ARE NOMINAL.
2. ALL SPECIFICATIONS ARE SUBJECT TO CHANGE WITHOUT NOTICE AT ANY TIME.
3. DIMENSIONS ARE IN INCHES [mm].

CAGE CODE 53919

CAD FILE 011917

SCALE N/A

SIZE A

2233

(PE) PASTERNAK®
THE ENGINEER'S RF SOURCE

Pasternack Enterprises, Inc.
P.O. Box 16759 | Irvine | CA | 92623
Phone: (949) 261-1920 | Fax: (949) 261-7451
Website: www.pasternack.com | E-Mail: sales@pasternack.com



4.3-10 Male Low PIM Push-On Connector Solder Attachment for PE-1/2SFHC, IP67 Rated

RF Connectors Technical Data Sheet

PE45300

Configuration

- Push-On 4.3-10 Male Connector
- Straight Body Geometry
- PE-1/2SFHC Interface Type
- Solder/Solder Attachment
- Low PIM Design

Features

- Max. Operating Frequency 6 GHz
- Excellent VSWR of 1.12:1
- PIM levels lower than -166 dBc
- Silver Plated Brass Contact
- IP 67 (Mated)
- Low Coupling Torque
- Corrosion Resistant Tri-Metal Finish
- Low-PIM rating of -166 dBc

Applications

- General Purpose Test
- Wireless Communications
- Custom Cable Assemblies
- Low PIM Applications
- Mobile Communications Systems
- Base Stations
- Distributed Antenna Systems (DAS)
- Small Cells
- Feeder Cables

Description

Pasternack's PE45300 4.3-10 male push-on connector with solder/solder attachment for PE-1/2SFHC is part of our full line of RF components available for same-day shipping. Our 4.3-10 male connector operates up to a maximum frequency of 6 GHz and offers excellent VSWR of 1.12:1. The 4.3-10 male connector also has low passive intermodulation of -166 dBc. The connector has an IP67 rating to protect against dust and temporary moisture protection under immersion conditions.

Our 4.3-10 male connector PE45300 datasheet specifications and drawing with dimensions are shown below in this PDF. Pasternack's broad catalog of RF, microwave and millimeter wave connectors allows designers to configure and customize their signal connections however they like. Whether the need is to provide an I/O for a board design, or simply create a custom cable assembly configuration, Pasternack has the right connector for the job. Pasternack can also expertly build your custom cable assemblies for you and ship same-day.

Electrical Specifications

Description	Minimum	Typical	Maximum	Units
Frequency Range	DC		6	GHz
VSWR			1.12:1	
Insertion Loss			0.13	dB
Passive Intermodulation		-166		dBc
Operating Voltage (AC)			1,000	Vrms
Dielectric Withstanding Voltage (AC)			2,500	Vrms
Insulation Resistance	5,000			MOhms

Click the following link (or enter part number in "SEARCH" on website) to obtain additional part information including price, inventory and certifications: [4.3-10 Male Low PIM Push-On Connector Solder Attachment for PE-1/2SFHC, IP67 Rated PE45300](#)



4.3-10 Male Low PIM Push-On Connector Solder Attachment for PE-1/2SFHC, IP67 Rated

RF Connectors Technical Data Sheet

PE45300

Mechanical Specifications

Size

Length	1.06 in [26.92 mm]
Width/Dia.	1 in [25.40 mm]
Weight	0.073 lbs [33.11 g]
Mating Cycles	100 Cycles

Material Specifications

Description	Material	Plating
Contact	Brass	Silver
Insulation	PTFE	
Body	Brass	Tri-Metal
Coupling Nut	Brass	Tri-Metal
Gasket	EPDM Rubber	

Environmental Specifications

Temperature

Operating Range	-55 to +90 deg C
Ingress Protection (IP) Rating	IP 67 (Mated)

Click the following link (or enter part number in "SEARCH" on website) to obtain additional part information including price, inventory and certifications: [4.3-10 Male Low PIM Push-On Connector Solder Attachment for PE-1/2SFHC, IP67 Rated PE45300](#)



4.3-10 Male Low PIM Push-On Connector Solder Attachment for PE-1/2SFHC, IP67 Rated

RF Connectors Technical Data Sheet

PE45300

Compliance Certifications (see [product page](#) for current document)

Plotted and Other Data

Notes:

4.3-10 Male Low PIM Push-On Connector Solder Attachment for PE-1/2SFHC, IP67 Rated from Pasternack Enterprises has same day shipment for domestic and International orders. Our RF, microwave and millimeter wave products maintain a 99.4% availability and are part of the broadest selection in the industry.

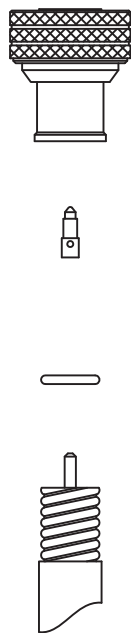
Click the following link (or enter part number in "SEARCH" on website) to obtain additional part information including price, inventory and certifications: [4.3-10 Male Low PIM Push-On Connector Solder Attachment for PE-1/2SFHC, IP67 Rated PE45300](#)

URL: <https://www.pasternack.com/4.3-10-male-pe-1-2sfhc-connector-pe45300-p.aspx>

The information contained in this document is accurate to the best of our knowledge and representative of the part described herein. It may be necessary to make modifications to the part and/or the documentation of the part, in order to implement improvements. Pasternack reserves the right to make such changes as required. Unless otherwise stated, all specifications are nominal. Pasternack does not make any representation or warranty regarding the suitability of the part described herein for any particular purpose, and Pasternack does not assume any liability arising out of the use of any part or documentation.

PE45300 CAD Drawing

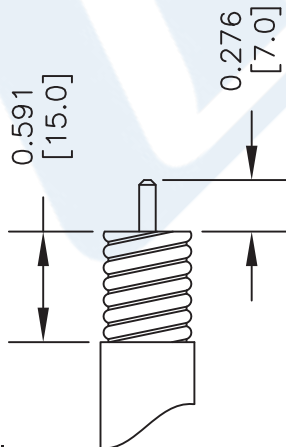
4.3-10 Male Low PIM Push-On Connector Solder Attachment for PE-1/2SFHC, IP67 Rated



CABLE INSULATOR CONTACT BODY

ASSEMBLY PROCEDURES

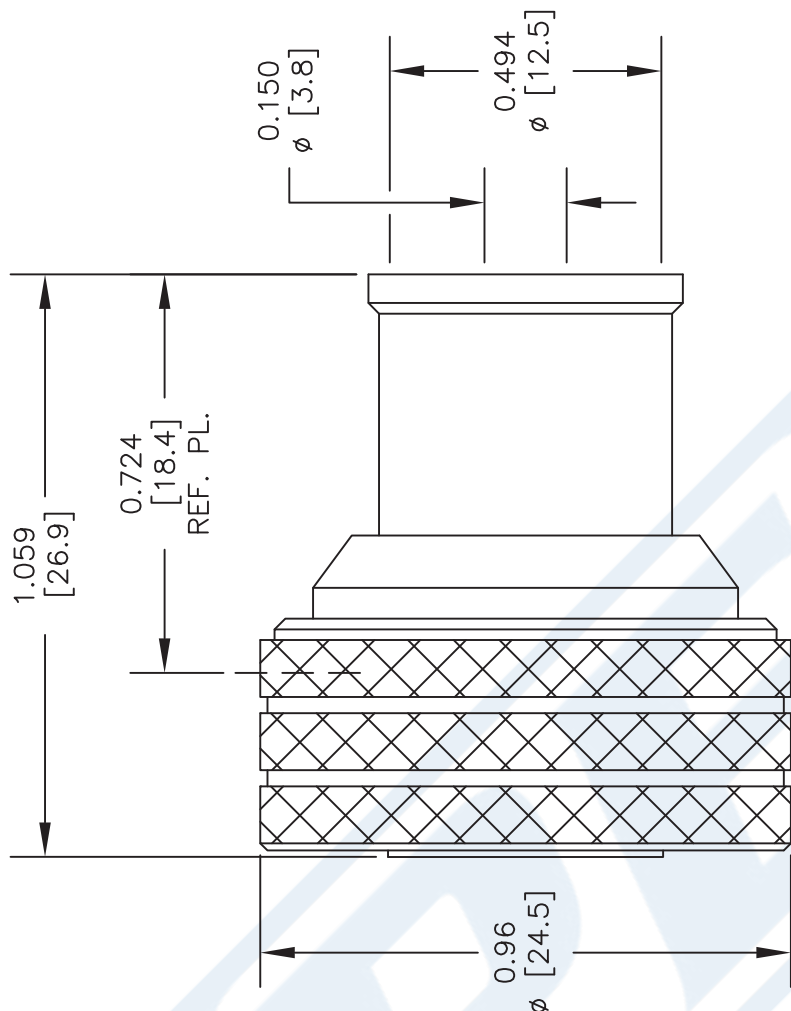
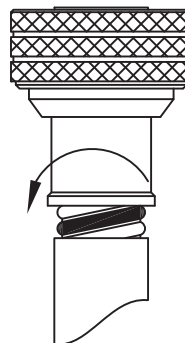
1. STRIP CABLE AS SHOWN, CHAMFER CENTER CONDUCTOR & DEBURR CABLE.



2. INSERT INSULATOR CLIP, INSERT CENTER CONTACT AND SOLDER. WRAP THE CABLE BY SOLDER WIRE (Dia 1.2mm).



3. PUSH THE CONNECTOR BODY INTO THE CABLE, UNTIL IT STOPS. SOLDER THE CONNECTOR BODY WITH CABLE.



STANDARD TOLERANCES

.X ±0.2
.XX ±0.1
.XXX ±0.05

*STANDARD TOLERANCES APPLY ONLY TO DIMENSIONS IN INCHES

DWG TITLE

PE45300

NOTES:
1. UNLESS OTHERWISE SPECIFIED ALL DIMENSIONS ARE NOMINAL.
2. ALL SPECIFICATIONS ARE SUBJECT TO CHANGE WITHOUT NOTICE AT ANY TIME.
3. DIMENSIONS ARE IN INCHES [mm].

CAGE CODE 53919

CAD FILE 011917

SCALE N/A

SIZE A

2233

(PE) PASTERNAK®
THE ENGINEER'S RF SOURCE

Pasternack Enterprises, Inc.
P.O. Box 16759 | Irvine | CA | 92623
Phone: (949) 261-1920 | Fax: (949) 261-7451
Website: www.pasternack.com | E-Mail: sales@pasternack.com



Low Loss 1/2 Superflexible Helical Corrugated Coax Cable with Black PE Jacket

TECHNICAL DATA SHEET

PE-1/2SFHC

1/2" Superflexible Low Loss Foam Dielectric Copper Corrugated Coaxial Cable features

Our corrugated cables and Low PIM connector combinations result in cable assemblies with excellent Passive Intermodulation performance. Solid copper outer conductors provide the highest possible RF shielding. This Superflexible cable features excellent return loss performance. The highly foamed dielectric and optimized dimensions of these cables result in excellent low attenuation values. The Superflexible helically corrugated copper outer conductor allows for a small bending radius.

- Low Passive Intermodulation
- Solid copper outer conductor provides the highest possible RF shielding
- Superflexible helically corrugated copper outer conductor enables a small bending radius
- Excellent return loss performance
- Highly foamed dielectric provides low attenuation

Configuration

Cable Design	Low Loss
Inner Conductor Material and Plating	Copper Clad Aluminum
Dielectric Type	Foam PE
Shield Materials	Helically Corrugated Copper Tube
Jacket Material, Color	PE, Black

Electrical Specifications

Impedance, Ohms	50
Velocity of Propagation, %	82
Max Operating Frequency, GHz	10.2
Cutoff Frequency, GHz	13
RF Shielding, dB	120
Capacitance, pF/ft [pF/m]	25.3 [83.01]
Inductance, uH/ft [uH/m]	0.059 [0.19]
DC Resistance Inner Conductor, Ohms/1000ft [Ohms/Km]	0.91 [2.99]
DC Resistance Outer Conductor, Ohms/1000ft [Ohms/Km]	1.08 [3.54]
Max Operating Voltage, Volts	1000
Dielectric Withstanding Voltage, Vrms	2500

Electrical Specifications by Frequency

Frequency 1

Frequency, MHz	100
Attenuation, dB/100 ft [dB/100m]	0.92 [3.02]
Power Handling, Watts	2600

Frequency 2

Frequency, MHz	450
Attenuation, dB/100 ft [dB/100m]	2.07 [6.79]
Power Handling, Watts	1200

Click the following link (or enter part number in "SEARCH" on website) to obtain additional part information including price, inventory and certifications: [Low Loss 1/2 Superflexible Helical Corrugated Coax Cable with Black PE Jacket PE-1/2SFHC](#)

The information contained in this document is accurate to the best of our knowledge and representative of the part described herein. It may be necessary to make modifications to the part and/or the documentation of the part, in order to implement improvements. Pasternack reserves the right to make such changes as required. Unless otherwise stated, all specifications are nominal.



Low Loss 1/2 Superflexible Helical Corrugated Coax Cable with Black PE Jacket

TECHNICAL DATA SHEET

PE-1/2SFHC

Frequency 3

Frequency, MHz	900
Attenuation, dB/100 ft [dB/100m]	3.02 [9.91]
Power Handling, Watts	810

Frequency 4

Frequency, MHz	1
Attenuation, dB/100 ft [dB/100m]	3.23 [10.60]
Power Handling, Watts	770

Frequency 5

Frequency, GHz	1.8
Attenuation, dB/100 ft [dB/100m]	4.45 [14.60]
Power Handling, Watts	550

Frequency 6

Frequency, GHz	1.9
Attenuation, dB/100 ft [dB/100m]	4.57 [14.99]
Power Handling, Watts	540

Frequency 7

Frequency, GHz	2.2
Attenuation, dB/100 ft [dB/100m]	4.97 [16.31]
Power Handling, Watts	490

Frequency 8

Frequency, GHz	2.5
Attenuation, dB/100 ft [dB/100m]	5.37 [17.62]
Power Handling, Watts	460

Frequency 9

Frequency, GHz	2.7
Attenuation, dB/100 ft [dB/100m]	5.61 [18.41]
Power Handling, Watts	440

Frequency 10

Frequency, GHz	3
Attenuation, dB/100 ft [dB/100m]	5.95 [19.52]
Power Handling, Watts	410

Click the following link (or enter part number in "SEARCH" on website) to obtain additional part information including price, inventory and certifications: [Low Loss 1/2 Superflexible Helical Corrugated Coax Cable with Black PE Jacket PE-1/2SFHC](#)

The information contained in this document is accurate to the best of our knowledge and representative of the part described herein. It may be necessary to make modifications to the part and/or the documentation of the part, in order to implement improvements. Pasternack reserves the right to make such changes as required. Unless otherwise stated, all specifications are nominal.



Low Loss 1/2 Superflexible Helical Corrugated Coax Cable with Black PE Jacket

TECHNICAL DATA SHEET

PE-1/2SFHC

Mechanical Specifications

Inner Conductor:	Number of Strands	1
	Material	Copper Clad Aluminum
	Diameter, in [mm]	0.139 [3.53]
Dielectric:	Type	Foam PE
	Diameter, in [mm]	0.362 [9.19]
Shield:	Number of	1
	Material 1	Helically Corrugated Copper Tube
	Diameter, in [mm]	0.468 [11.89]
Jacket:	Material	PE
	Diameter, in [mm]	0.535 [13.59]
	Color	Black
	Repeated Minimum Bend Radius, in [mm]	1.18 [29.97]
	One Time Minimum Bend Radius, in [mm]	0.6 [15.24]
	Minimum Number of Bends	20
	Tensile Strength, Lbs [Kg]	157 [71.21]
	Weight, Lbs/ft [Kg/m]	0.129 [0.19]
	Temperature Operating Range, deg C	-55 to +85

Compliance Certifications (visit www.Pasternack.com for current document)

RoHS Compliant	Yes
----------------	-----

Other Data

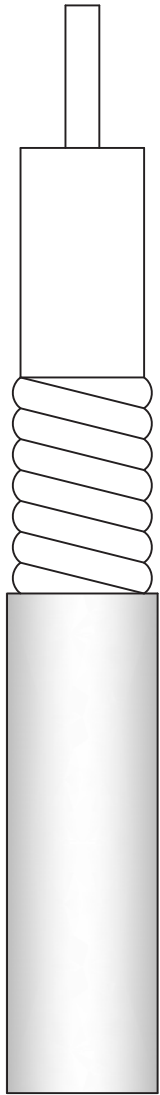
URL: <http://www.pasternack.com/50-ohm-low-loss-corrugated-1-2-superflexible-helical-coax-pe-1-2sfhc-p.aspx>

Low Loss 1/2 Superflexible Helical Corrugated Coax Cable with Black PE Jacket from Pasternack Enterprises has same day shipment for domestic and International orders. We maintain 99% availability of the industry's broadest selection of RF, microwave and fiber optic products.

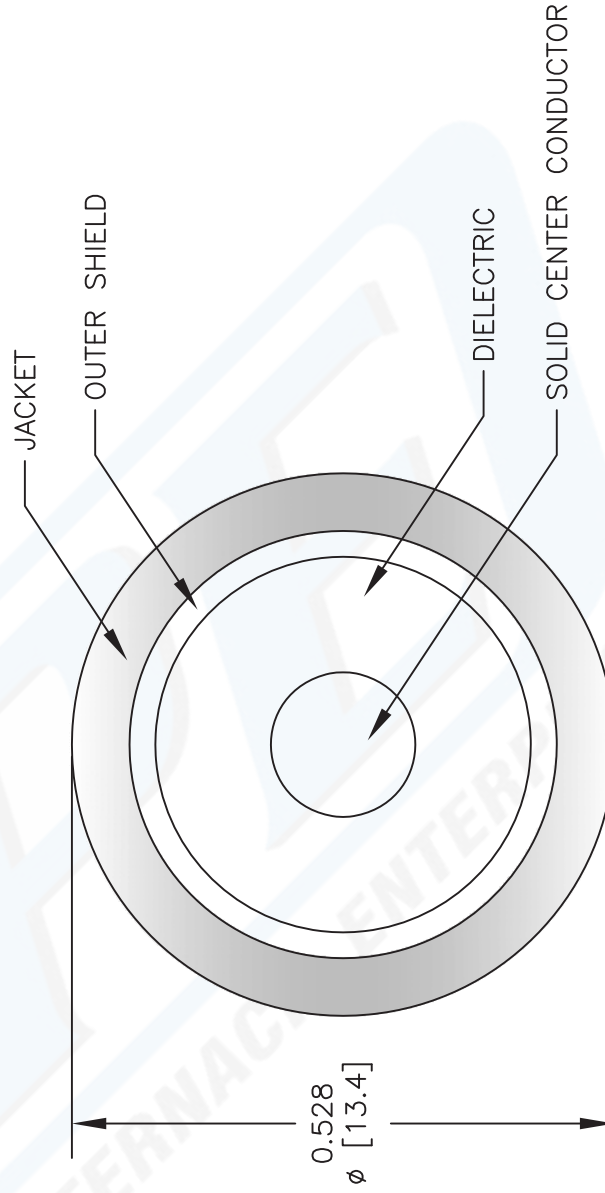
The information contained in this document is accurate to the best of our knowledge and representative of the part described herein. It may be necessary to make modifications to the part and/or the documentation of the part, in order to implement improvements. Pasternack reserves the right to make such changes as required. Unless otherwise stated, all specifications are nominal.

PE-1/2SFHC CAD Drawing

Low Loss 1/2 Superflexible Helical Corrugated Coax Cable with Black PE Jacket



PE-1/2SFHC



DWG TITLE

PE-1/2SFHC

NOTES:
1. UNLESS OTHERWISE SPECIFIED ALL DIMENSIONS ARE NOMINAL.
2. ALL SPECIFICATIONS ARE SUBJECT TO CHANGE WITHOUT NOTICE AT ANY TIME.
3. DIMENSIONS ARE IN INCHES [mm].

FSCM NO. 53919

CAD FILE 092112

SCALE N/A

SIZE A

2233



Pasternack Enterprises, Inc.
P.O. Box 16759 | Irvine | CA | 92623

Phone: (949) 261-1920 | Fax: (949) 261-7451

Website: www.pasternack.com | E-Mail: sales@pasternack.com