



MMCX Plug Connector Crimp/Solder Attachment for RG174,  
RG316, RG188, LMR-100, PE-B100, PE-C100, 0.100 inch

RF Connectors  
Technical Data Sheet

PE4896

**Configuration**

- MMCX Plug Connector
- BS EN 122340
- 50 Ohms
- Straight Body Geometry
- Connector Interface Types: RG174, RG316, RG188, LMR-100, PE-B100, PE-C100, .100 inch

**Features**

- Max. Operating Frequency 6 GHz
- Excellent VSWR of 1.22:1
- Gold Plated Brass Contact
- 30 µin minimum contact plating

**Applications**

- General Purpose Test
- Custom Cable Assemblies

**Description**

Pasternack's PE4896 MMCX plug connector with crimp/solder attachment for RG174, RG316, RG188, LMR-100, PE-B100, PE-C100 and .100 inch is part of our full line of RF components available for same-day shipping. Our MMCX plug connector operates up to a maximum frequency of 6 GHz and offers excellent VSWR of 1.22:1.

Our MMCX plug connector PE4896 datasheet specifications and drawing with dimensions are shown below in this PDF. Pasternack's broad catalog of RF, microwave and millimeter wave connectors allows designers to configure and customize their signal connections however they like. Whether the need is to provide an I/O for a board design, or simply create a custom cable assembly configuration, Pasternack has the right connector for the job. Pasternack can also expertly build your custom cable assemblies for you and ship same-day.

**Electrical Specifications**

| Description            | Minimum | Typical | Maximum | Units |
|------------------------|---------|---------|---------|-------|
| Frequency Range        | DC      |         | 6       | GHz   |
| VSWR                   |         |         | 1.22:1  |       |
| Operating Voltage (AC) |         |         | 250     | Vrms  |

**Mechanical Specifications**

|             |                     |
|-------------|---------------------|
| <b>Size</b> |                     |
| Length      | 0.575 in [14.61 mm] |
| Width/Dia.  | 0.177 in [4.50 mm]  |
| Weight      | 0.007 lbs [3.18 g]  |

Click the following link (or enter part number in "SEARCH" on website) to obtain additional part information including price, inventory and certifications: [MMCX Plug Connector Crimp/Solder Attachment for RG174, RG316, RG188, LMR-100, PE-B100, PE-C100, 0.100 inch PE4896](#)



MMCX Plug Connector Crimp/Solder Attachment for RG174, RG316, RG188, LMR-100, PE-B100, PE-C100, 0.100 inch

RF Connectors  
Technical Data Sheet

PE4896

**Material Specifications**

| Description     | Material | Plating                |
|-----------------|----------|------------------------|
| Contact         | Brass    | Gold<br>30 µin minimum |
| Insulation      | PTFE     |                        |
| Outer Conductor | Brass    | Gold<br>3 µin minimum  |
| Body            | Brass    | Gold<br>3 µin minimum  |
| Crimp Sleeve    | Brass    | Gold                   |

**Environmental Specifications**

**Temperature**

Operating Range -55 to +155 deg C

**Compliance Certifications** (see [product page](#) for current document)

**Plotted and Other Data**

Notes:

MMCX Plug Connector Crimp/Solder Attachment for RG174, RG316, RG188, LMR-100, PE-B100, PE-C100, 0.100 inch from Pasternack Enterprises has same day shipment for domestic and International orders. Our RF, microwave and millimeter wave products maintain a 99.4% availability and are part of the broadest selection in the industry.

Click the following link (or enter part number in "SEARCH" on website) to obtain additional part information including price, inventory and certifications: [MMCX Plug Connector Crimp/Solder Attachment for RG174, RG316, RG188, LMR-100, PE-B100, PE-C100, 0.100 inch PE4896](#)

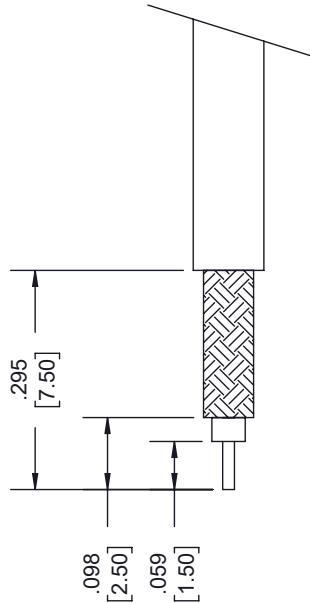
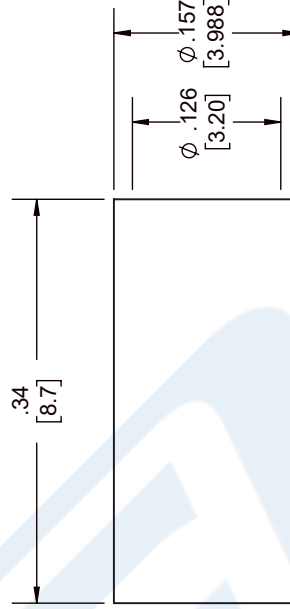
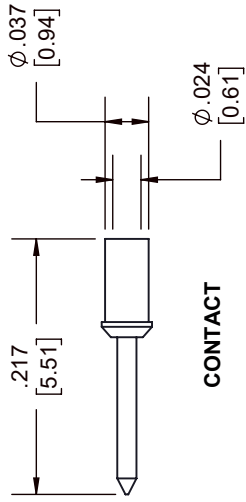
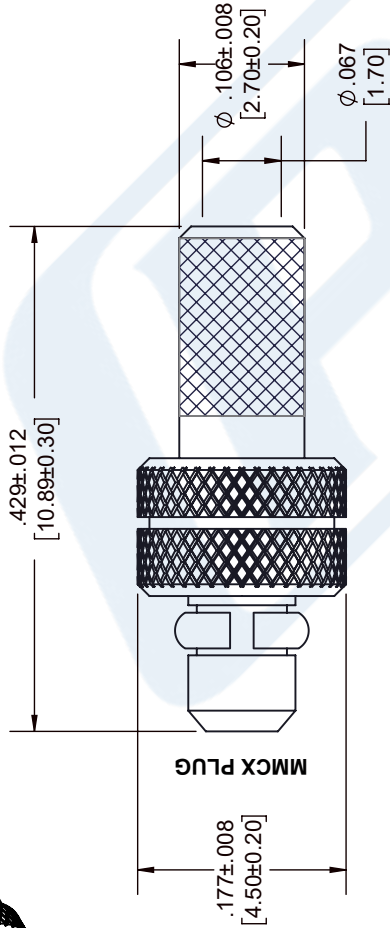
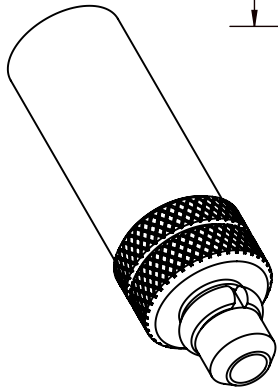
URL: <https://www.pasternack.com/mmcx-plug-rg174-rg316-rg188-lmr-100-pe-b100-pe-c100-0.100-connector-pe4896-p.aspx>

The information contained in this document is accurate to the best of our knowledge and representative of the part described herein. It may be necessary to make modifications to the part and/or the documentation of the part, in order to implement improvements. Pasternack reserves the right to make such changes as required. Unless otherwise stated, all specifications are nominal. Pasternack does not make any representation or warranty regarding the suitability of the part described herein for any particular purpose, and Pasternack does not assume any liability arising out of the use of any part or documentation.

# PE4896 CAD Drawing

MMCX Plug Connector Crimp/Solder Attachment for RG174, RG316, RG188, LMR-100, PE-B100, PE-C100, 0.100 inch

| REVISIONS |             |           |          |
|-----------|-------------|-----------|----------|
| REV.      | DESCRIPTION | DATE      | APPROVED |
| A         | PCR PE4896  | 12/3/2020 | S. ELLIS |



**NOTES:**

- CABLE ATTACHMENT:
  - OUTER: CRIMP.
  - INNER: CRIMP.
- CRIMP SIZE REQUIRED:
  - FERRULE: .138 [3.50] HEX. CRIMP TOOL.
  - CONTACT: .026 [0.67] HEX. CRIMP TOOL.

UNLESS OTHERWISE SPECIFIED LEADING DIMENSIONS ARE INCHES DIMENSIONS IN [ ] ARE MILLIMETERS

**TOLERANCES:**

|               |        |             |
|---------------|--------|-------------|
| .X = ± .2     | [.008] | FRACTIONS   |
| .XX = ± .02   | [.51]  | ± 1/32      |
| .XXX = ± .005 | [.13]  | ANGLES ± 1° |

**CABLE LENGTH (L) TOLERANCES:**

|                             |                 |
|-----------------------------|-----------------|
| L ≤ 12 [305]                | = +1 [25] / -0  |
| 12 [305] < L ≤ 60 [1524]    | = +2 [51] / -0  |
| 60 [1524] < L ≤ 120 [3048]  | = +4 [102] / -0 |
| 120 [3048] < L ≤ 300 [7620] | = +6 [152] / -0 |
| 300 [7620] < L              | = +5% / -0      |

ALL DIMENSIONS SHOWN ARE FOR REFERENCE ONLY.

**THIRD-ANGLE PROJECTION**

THE INFORMATION AND DESIGN IN THIS DOCUMENT IS THE PROPERTY OF PASTERNAK CORPORATION ALL RIGHTS RESERVED.

SHEET 1 OF 1

SCALE N/A

REV A

---

**PE PASTERNAK**  
an INFINITE brand

Pasternack Enterprises, Inc.  
P. O. Box 16759, Irvine, CA 92623.  
Phone: 1.949.261.1920 | 1.866.727.8376  
Fax: 1.949.261.7451  
Website: www.pasternack.com  
E-mail: sales@pasternack.com

ITEM NO. PE4896

DRAWN BY K.DANG

CAGE CODE 53919

SIZE A



SMA Female Bulkhead Mount Connector Crimp/Solder Attachment for RG174, RG316, RG188, 0.100 inch, PE-B100, PE-C100, LMR-100, .235 inch D Hole

## RF Connectors Technical Data Sheet

PE44643

### Configuration

- SMA Female Connector
- 50 Ohms
- Straight Body Geometry
- RG174, RG316, RG188, 0.100 inch, PE-B100, PE-C100, LMR-100 Interface Type
- Crimp/Solder Attachment
- Bulkhead

### Features

- Max. Operating Frequency 12.4 GHz
- Gold Plated Beryllium Copper Contact

### Applications

- General Purpose Test
- Rack and Panel Mount Applications
- Custom Cable Assemblies

### Description

Pasternack's PE44643 SMA female bulkhead connector with crimp/solder attachment for RG174, RG316, RG188, 0.100 inch, PE-B100, PE-C100 and LMR-100 (.235 inch D hole) is part of our full line of RF components available for same-day shipping. Our SMA female connector operates up to a maximum frequency of 12.4 GHz. This SMA bulkhead connector allows designers to create external connections on their product enclosures, and can be used in a variety of other rack mount and panel mount applications.

Our SMA female bulkhead connector PE44643 datasheet specifications and drawing with dimensions are shown below in this PDF. Pasternack's broad catalog of RF, microwave and millimeter wave connectors allows designers to configure and customize their signal connections however they like. Whether the need is to provide an I/O for a board design, or simply create a custom cable assembly configuration, Pasternack has the right connector for the job. Pasternack can also expertly build your custom cable assemblies for you and ship same-day.

### Electrical Specifications

| Description     | Minimum | Typical | Maximum | Units |
|-----------------|---------|---------|---------|-------|
| Frequency Range | DC      |         | 12.4    | GHz   |

### Mechanical Specifications

|             |                     |
|-------------|---------------------|
| <b>Size</b> |                     |
| Length      | 0.875 in [22.23 mm] |
| Width/Dia.  | 0.433 in [11.00 mm] |
| Weight      | 0.012 lbs [5.44 g]  |

Click the following link (or enter part number in "SEARCH" on website) to obtain additional part information including price, inventory and certifications: [SMA Female Bulkhead Mount Connector Crimp/Solder Attachment for RG174, RG316, RG188, 0.100 inch, PE-B100, PE-C100, LMR-100, .235 inch D Hole PE44643](#)



SMA Female Bulkhead Mount Connector Crimp/Solder Attachment for RG174, RG316, RG188, 0.100 inch, PE-B100, PE-C100, LMR-100, .235 inch D Hole

## RF Connectors Technical Data Sheet

PE44643

### Material Specifications

| Description     | Material         | Plating |
|-----------------|------------------|---------|
| Contact         | Beryllium Copper | Gold    |
| Insulation      | PTFE             |         |
| Outer Conductor | Brass            | Gold    |
| Body            | Brass            | Gold    |

### Environmental Specifications

#### Temperature

Operating Range -65 to +165 deg C

**Compliance Certifications** (see [product page](#) for current document)

### Plotted and Other Data

Notes:

SMA Female Bulkhead Mount Connector Crimp/Solder Attachment for RG174, RG316, RG188, 0.100 inch, PE-B100, PE-C100, LMR-100, .235 inch D Hole from Pasternack Enterprises has same day shipment for domestic and International orders. Our RF, microwave and millimeter wave products maintain a 99% availability and are part of the broadest selection in the industry.

Click the following link (or enter part number in "SEARCH" on website) to obtain additional part information including price, inventory and certifications: [SMA Female Bulkhead Mount Connector Crimp/Solder Attachment for RG174, RG316, RG188, 0.100 inch, PE-B100, PE-C100, LMR-100, .235 inch D Hole PE44643](#)

URL: <https://www.pasternack.com/sma-female-bulkhead-with-o-ring-crimp-attachment-for-rg174-rg188-rg316-pe44643-p.aspx>

The information contained in this document is accurate to the best of our knowledge and representative of the part described herein. It may be necessary to make modifications to the part and/or the documentation of the part, in order to implement improvements. Pasternack reserves the right to make such changes as required. Unless otherwise stated, all specifications are nominal. Pasternack does not make any representation or warranty regarding the suitability of the part described herein for any particular purpose, and Pasternack does not assume any liability arising out of the use of any part or documentation.

# PE44643 CAD Drawing

SMA Female Bulkhead Mount Connector Crimp/Solder Attachment for RG174, RG316, RG188, 0.100 inch, PE-B100, PE-C100, LMR-100, .235 inch D Hole



- NOTES:
1. UNLESS OTHERWISE SPECIFIED ALL DIMENSIONS ARE NOMINAL.
  2. ALL SPECIFICATIONS ARE SUBJECT TO CHANGE WITHOUT NOTICE AT ANY TIME.
  3. DIMENSIONS ARE IN INCHES [mm].
  4. FITS MIL-C-17 AND EQUIVALENT CABLES.

DWG TITLE  
**PE44643**

**(PE) PASTERNAK®**  
THE ENGINEER'S RF SOURCE  
Pasternack Enterprises, Inc.  
P.O. Box 16759 | Irvine | CA | 92623  
Phone: (949) 261-1920 | Fax: (949) 261-7451  
Website: www.pasternack.com | E-Mail: sales@pasternack.com

FSCM NO. 53919

CAD FILE 032916 SCALE N/A SIZE A 2233

# LMR<sup>®</sup>-100A Flexible Low Loss Communications Coax

## Ideal for...

- Drop-in Replacement for RG-316/RG-174 (uses standard connectors)
- Jumper Assemblies in Wireless Communications Systems
- Short Antenna Feeder runs
- Any application (e.g. WLL, GPS, LMR, WLAN, WiSP, WiMax, SCADA, Mobile Antennas) requiring an easily routed, low loss RF cable

• **LMR<sup>®</sup>-PVC** is designed for low loss general-purpose indoor/outdoor applications and is somewhat more flexible than the standard polyethylene jacketed LMR.

• **LMR<sup>®</sup>-PVC-W** is a white-jacketed version of LMR-PVC for marine and other indoor/outdoor applications where color compatibility is desired.

• **Flexibility** and bendability are hallmarks of the LMR-100A cable design. The flexible outer conductor enables the tightest bend radius available for any cable of similar size and performance.

• **Low Loss** is another hallmark feature of LMR-100A. Size for size LMR has the lowest loss of any flexible cable and comparable loss to semirigid hard-line cables.

• **RF Shielding** is 50 dB greater than typical single shielded coax (40 dB). The multi-ply bonded foil outer conductor is rated conservatively at > 90 dB (i.e. >180 dB between two adjacent cables).

• **Weatherability:** LMR-100A cables designed for outdoor exposure incorporate the best materials for UV resistance and have life expectancy in excess of 20 years.

• **Connectors:** A wide variety of connectors are available for LMR-100A cable, including all common interface types, reverse polarity, and a choice of solder or non-solder center pins. Most LMR connectors employ crimp outer attachment using standard hex crimp sizes.

• **Cable Assemblies:** All LMR-100A cable types are available as pre-terminated cable assemblies. Refer to the section on FlexTech for further details.

| Part Description |                          |        |       |       | Stock |
|------------------|--------------------------|--------|-------|-------|-------|
| Part Number      | Application              | Jacket | Color | Code  |       |
| LMR-100A-FR      | Indoor/Outdoor Riser CMR | FRPE   | Black | 54037 |       |
| LMR-100A-PVC     | Indoor/Outdoor           | PVC    | Black | 54119 |       |
| LMR-100A-PVC-W   | Indoor/Outdoor           | PVC    | White | 54200 |       |

PVC = Poly Vinyl Chloride; MTO = Made to Order



| Construction Specifications |                   |       |        |
|-----------------------------|-------------------|-------|--------|
| Description                 | Material          | In.   | (mm)   |
| Inner Conductor             | Solid BCCS        | 0.018 | (0.46) |
| Dielectric                  | Solid PE          | 0.060 | (1.52) |
| Outer Conductor             | Aluminum Tape     | 0.065 | (1.65) |
| Overall Braid               | Tinned Copper     | 0.083 | (2.11) |
| Jacket                      | (see table above) | 0.110 | (2.79) |

| Mechanical Specifications |                |        |          |
|---------------------------|----------------|--------|----------|
| Performance Property      | Units          | US     | (metric) |
| Bend Radius: installation | in. (mm)       | 0.25   | (6.4)    |
| Bend Radius: repeated     | in. (mm)       | 1      | (25.4)   |
| Bending Moment            | ft-lb (N-m)    | 0.1    | (0.014)  |
| Weight                    | lb/ft (kg/m)   | 0.0092 | (.014)   |
| Tensile Strength          | lb (kg)        | 15     | (6.8)    |
| Flat Plate Crush          | lb/in. (kg/mm) | 10     | (0.18)   |

| Environmental Specifications   |          |         |  |
|--------------------------------|----------|---------|--|
| Performance Property           | °F       | °C      |  |
| Installation Temperature Range | -40/+185 | -40/+85 |  |
| Storage Temperature Range      | -94/+185 | -70/+85 |  |
| Operating Temperature Range    | -40/+185 | -40/+85 |  |

| Electrical Specifications |                   |       |          |
|---------------------------|-------------------|-------|----------|
| Performance Property      | Units             | US    | (metric) |
| Velocity of Propagation   | %                 | 66    |          |
| Dielectric Constant       | NA                | 2.30  |          |
| Time Delay                | nS/ft (nS/m)      | 1.54  | (5.05)   |
| Impedance                 | ohms              | 50    |          |
| Capacitance               | pF/ft (pF/m)      | 30.8  | (101.1)  |
| Inductance                | uH/ft (uH/m)      | 0.077 | (0.25)   |
| Shielding Effectiveness   | dB                | >90   |          |
| DC Resistance             |                   |       |          |
| Inner Conductor           | ohms/1000ft (/km) | 81.0  | (266)    |
| Outer Conductor           | ohms/1000ft (/km) | 9.5   | (31.2)   |
| Voltage Withstand         | Volts DC          | 500   |          |
| Jacket Spark              | Volts RMS         | 2000  |          |
| Peak Power                | kW                | 0.6   |          |

**Attenuation vs. Frequency (typical)**



| Frequency (MHz)              | 30    | 50    | 150   | 220   | 450   | 900   | 1500  | 1800  | 2000  | 2500  | 5800  |
|------------------------------|-------|-------|-------|-------|-------|-------|-------|-------|-------|-------|-------|
| <b>Attenuation dB/100 ft</b> | 3.9   | 5.1   | 8.9   | 10.9  | 15.8  | 22.8  | 30.1  | 33.2  | 35.2  | 39.8  | 64.1  |
| <b>Attenuation dB/100 m</b>  | 12.9  | 16.7  | 29.4  | 35.8  | 51.9  | 74.9  | 98.7  | 109.0 | 115.5 | 130.6 | 210.3 |
| <b>Avg. Power kW</b>         | 0.230 | 0.180 | 0.100 | 0.083 | 0.057 | 0.039 | 0.029 | 0.027 | 0.025 | 0.022 | 0.013 |

Calculate Attenuation =  $(0.709140) \cdot \sqrt{\text{FMHz}} + (0.001740) \cdot \text{FMHz}$  (interactive calculator available at <http://www.timesmicrowave/telecom>)  
 Attenuation: VSWR=1.0 ; Ambient = +25°C (77°F) Power: VSWR=1.0; Ambient = +40°C; Inner Conductor = 100°C (212°F);  
 Sea Level; dry air; atmospheric pressure; no solar loading



**Connectors**

| Interface | Description   | Part Number | Stock Code | VSWR ** Freq. (GHz) | Coupling Nut | Inner Contact Attach | Outer Contact Attach | Finish* Body /Pin | Length in (mm) | Width in (mm) | Weight lb (g) |
|-----------|---------------|-------------|------------|---------------------|--------------|----------------------|----------------------|-------------------|----------------|---------------|---------------|
| SMA male  | Straight Plug | TC-100-SM   | 3190-1551  | <1.25:1 (<3)        | Hex          | Solder               | Crimp                | SS/G              | 1.0 (25.4)     | 0.32 (8.1)    | 0.015 (6.8)   |
| TNC male  | Straight Plug | TC-100-TM   | 3190-1552  | <1.25:1 (<3)        | Knurl        | Solder               | Crimp                | S/G               | 1.4 (35.6)     | 0.59 (15.0)   | 0.045 (20.4)  |

\* Finish metals: N=Nickel, S=Silver, G=Gold, SS=Stainless Steel, A=Alballoy \*\*VSWR spec based on 3 foot cable with a connector pair



**Install Tools**

| Type              | Part Number        | Stock Code | Description   |
|-------------------|--------------------|------------|---|
| Crimp Tool        | CT-240/200/195/100 | 3190-667   | Crimp tool for LMR-100, 195, 200 and 240 connectors |
| Cutting Tool      | CCT-01             | 3190-1544  | Cable end flush cut tool                            |
| Replacement Blade | RB-01              | 3190-1609  | Replacement blade for cutting tool                  |

