



UHF Male Connector Solder Attachment For RG58,
RG303, RG141, PE-C195, PE-P195, LMR-195

TECHNICAL DATA SHEET

PE44829

Configuration

Connector	UHF Male
Connector Interface Type	RG58, RG303, RG141, PE-C195, PE-P195, LMR-195
Cable Attachment Method (Shield/Contact)	Solder
Body Style	Straight

Electrical Specifications

Frequency Range, MHz	DC to 300
Impedance, Ohms	50
Maximum VSWR	1.3:1
Maximum Operating Voltage, Volts	500

Mechanical Specifications

Temperature

Operating Range, deg C	-55 to +85
------------------------	------------

Size

Length, in [mm]	1.41 [35.81]
Width/Dia., in [mm]	0.7 [17.78]
Weight, lbs [g]	0.041 [18.6]

Connector

Type	UHF Male
Contact Material and Plating	Brass, Gold
Contact Plating Specification	30µ in. minimum
Coupling Nut Material and Plating	Brass, Nickel
Coupling Nut Plating Specification	100µ in. minimum
Body Material and Plating	Brass, Nickel
Body Plating Specification	100µ in. minimum
Dielectric Type	Teflon

Compliance Certifications (visit www.Pasternack.com for current document)

RoHS Compliant	Yes
----------------	-----

Click the following link (or enter part number in "SEARCH" on website) to obtain additional part information including price, inventory and certifications: [UHF Male Connector Solder Attachment For RG58, RG303, RG141, PE-C195, PE-P195, LMR-195 PE44829](#)

The information contained in this document is accurate to the best of our knowledge and representative of the part described herein. It may be necessary to make modifications to the part and/or the documentation of the part, in order to implement improvements. Pasternack reserves the right to make such changes as required. Unless otherwise stated, all specifications are nominal.



UHF Male Connector Solder Attachment For RG58,
RG303, RG141, PE-C195, PE-P195, LMR-195

TECHNICAL DATA SHEET

PE44829

Plotted and Other Data

Notes:

Values at 25 °C, sea level

UHF Male Connector Solder Attachment For RG58, RG303, RG141, PE-C195, PE-P195, LMR-195 from Pasternack Enterprises has same day shipment for domestic and International orders. Our RF, microwave and fiber optic products maintain a 99% availability and are part of the broadest selection in the industry.

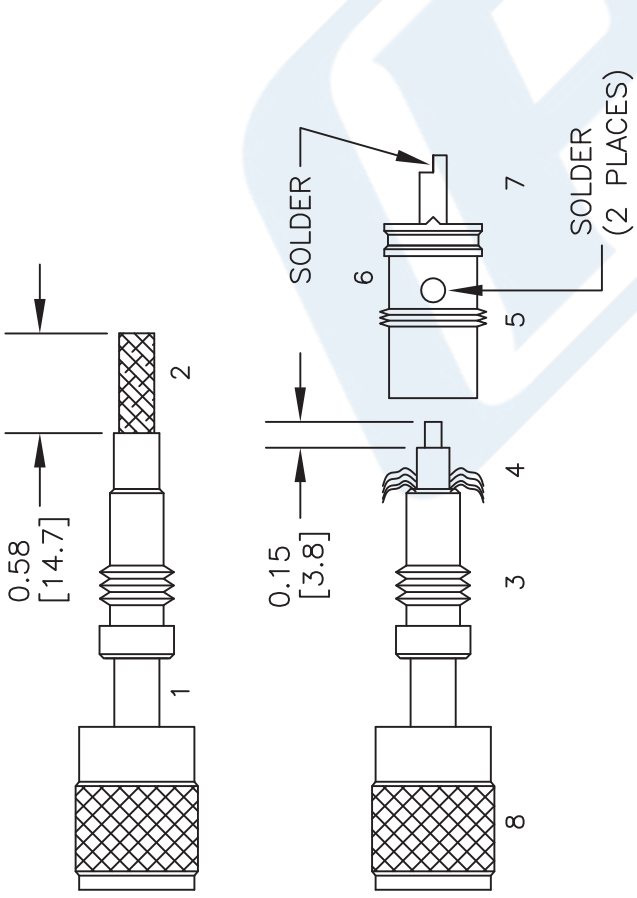
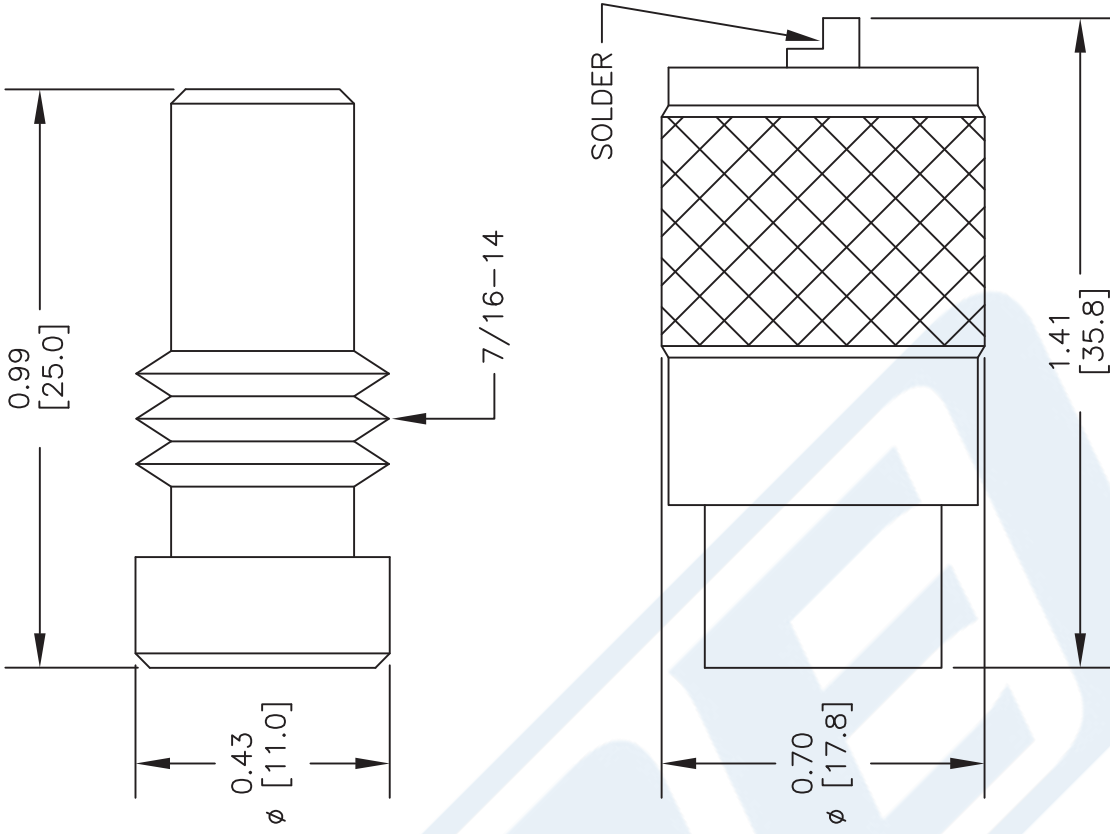
Click the following link (or enter part number in "SEARCH" on website) to obtain additional part information including price, inventory and certifications: [UHF Male Connector Solder Attachment For RG58, RG303, RG141, PE-C195, PE-P195, LMR-195 PE44829](http://www.pasternack.com/uhf-male-standard-rg58-rg303-rg141-pe-c195-pe-p195-lmr-195-connector-pe44829)

URL: <http://www.pasternack.com/uhf-male-standard-rg58-rg303-rg141-pe-c195-lmr-195-connector-pe44829-p.aspx>

The information contained in this document is accurate to the best of our knowledge and representative of the part described herein. It may be necessary to make modifications to the part and/or the documentation of the part, in order to implement improvements. Pasternack reserves the right to make such changes as required. Unless otherwise stated, all specifications are nominal.

PE44829 CAD Drawing

UHF Male Connector Solder Attachment For RG58, RG303,
RG141, PE-C195, PE-P195, LMR-195



ASSEMBLY PROCEDURES

1. SLIDE : COUPLING NUT & CLAMP OVER THE JACKET OF COAX CABLE.
2. STRIP TO GIVEN DIMENSIONS.
3. SLIDE CLAMP TOWARD THE BEGINNING OF THE STRIPPED AREA.
4. FLARE / COMB BRAID BACK ONTO THE CLAMP AND STRIP CENTER CONDUCTOR.
5. THREAD CONNECTOR BODY ONTO CLAMP.
6. SOLDER CONNECTOR BODY ON TO THE BRAIDED & CLAMP THROUGH SOLDER HOLE.
7. SOLDER CENTER CONTACT ONTO THE CENTER CONDUCTOR.
8. SLIDE COUPLING NUT FORWARD & THREAD ONTO THE CONNECTOR BODY.

DWG TITLE

PE44829

NOTES:
1. UNLESS OTHERWISE SPECIFIED ALL DIMENSIONS ARE NOMINAL.
2. ALL SPECIFICATIONS ARE SUBJECT TO CHANGE WITHOUT NOTICE AT ANY TIME.
3. DIMENSIONS ARE IN INCHES [mm].
4. FITS MIL-C-17 AND EQUIVALENT CABLES.

PE PASTERNAK®
Pasternack Enterprises, Inc.
P.O. Box 16759 | Irvine | CA | 92623
Phone: (949) 261-1920 | Fax: (949) 261-7451
Website: www.pasternack.com | E-Mail: sales@pasternack.com

FSCM NO. 53919

CAD FILE 052113

SCALE N/A

SIZE A

2233



UHF Male Connector Solder Attachment For RG58,
RG303, RG141, PE-C195, PE-P195, LMR-195

TECHNICAL DATA SHEET

PE44829

Configuration

Connector	UHF Male
Connector Interface Type	RG58, RG303, RG141, PE-C195, PE-P195, LMR-195
Cable Attachment Method (Shield/Contact)	Solder
Body Style	Straight

Electrical Specifications

Frequency Range, MHz	DC to 300
Impedance, Ohms	50
Maximum VSWR	1.3:1
Maximum Operating Voltage, Volts	500

Mechanical Specifications

Temperature

Operating Range, deg C	-55 to +85
------------------------	------------

Size

Length, in [mm]	1.41 [35.81]
Width/Dia., in [mm]	0.7 [17.78]
Weight, lbs [g]	0.041 [18.6]

Connector

Type	UHF Male
Contact Material and Plating	Brass, Gold
Contact Plating Specification	30µ in. minimum
Coupling Nut Material and Plating	Brass, Nickel
Coupling Nut Plating Specification	100µ in. minimum
Body Material and Plating	Brass, Nickel
Body Plating Specification	100µ in. minimum
Dielectric Type	Teflon

Compliance Certifications (visit www.Pasternack.com for current document)

RoHS Compliant	Yes
----------------	-----

Click the following link (or enter part number in "SEARCH" on website) to obtain additional part information including price, inventory and certifications: [UHF Male Connector Solder Attachment For RG58, RG303, RG141, PE-C195, PE-P195, LMR-195 PE44829](#)

The information contained in this document is accurate to the best of our knowledge and representative of the part described herein. It may be necessary to make modifications to the part and/or the documentation of the part, in order to implement improvements. Pasternack reserves the right to make such changes as required. Unless otherwise stated, all specifications are nominal.



UHF Male Connector Solder Attachment For RG58,
RG303, RG141, PE-C195, PE-P195, LMR-195

TECHNICAL DATA SHEET

PE44829

Plotted and Other Data

Notes:

Values at 25 °C, sea level

UHF Male Connector Solder Attachment For RG58, RG303, RG141, PE-C195, PE-P195, LMR-195 from Pasternack Enterprises has same day shipment for domestic and International orders. Our RF, microwave and fiber optic products maintain a 99% availability and are part of the broadest selection in the industry.

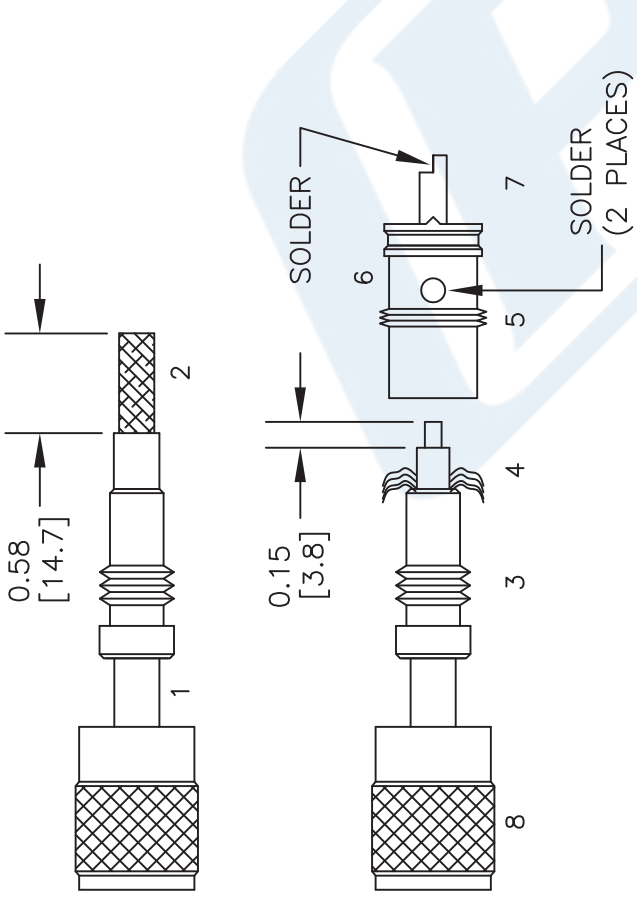
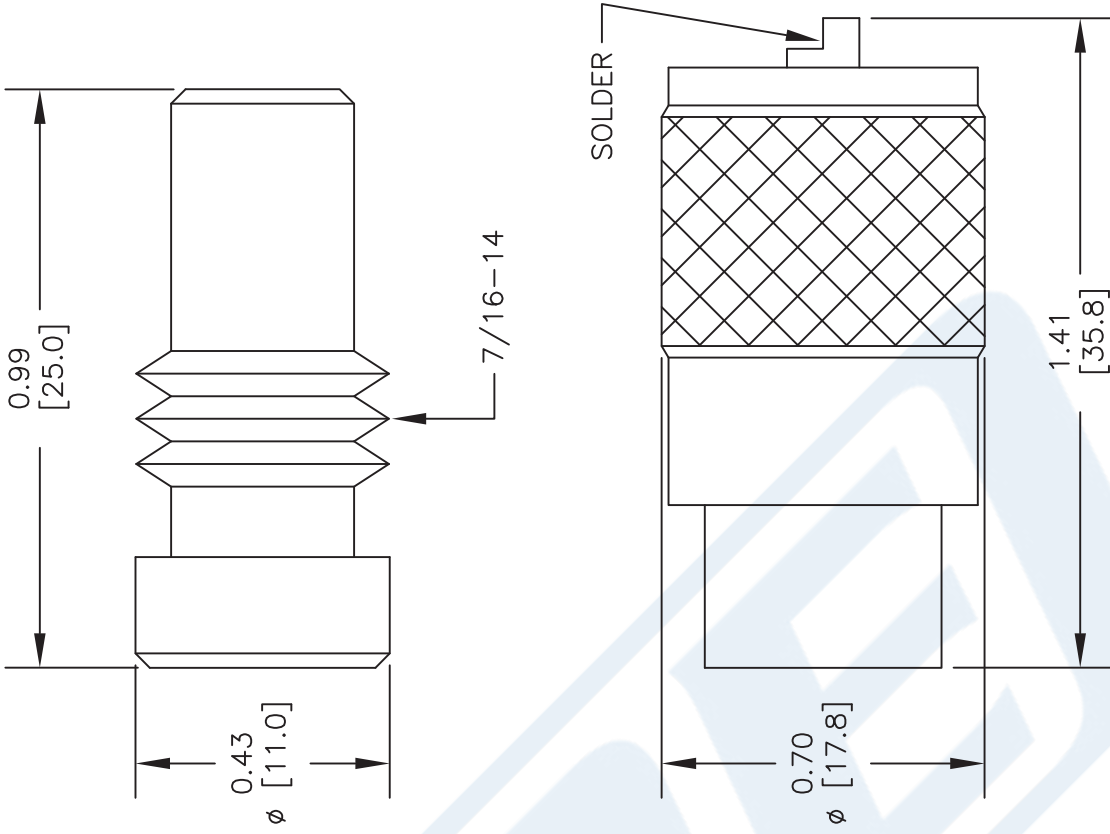
Click the following link (or enter part number in "SEARCH" on website) to obtain additional part information including price, inventory and certifications: [UHF Male Connector Solder Attachment For RG58, RG303, RG141, PE-C195, PE-P195, LMR-195 PE44829](http://www.pasternack.com/uhf-male-standard-rg58-rg303-rg141-pe-c195-pe-p195-lmr-195-connector-pe44829-p.aspx)

URL: <http://www.pasternack.com/uhf-male-standard-rg58-rg303-rg141-pe-c195-lmr-195-connector-pe44829-p.aspx>

The information contained in this document is accurate to the best of our knowledge and representative of the part described herein. It may be necessary to make modifications to the part and/or the documentation of the part, in order to implement improvements. Pasternack reserves the right to make such changes as required. Unless otherwise stated, all specifications are nominal.

PE44829 CAD Drawing

UHF Male Connector Solder Attachment For RG58, RG303,
RG141, PE-C195, PE-P195, LMR-195



ASSEMBLY PROCEDURES

1. SLIDE : COUPLING NUT & CLAMP OVER THE JACKET OF COAX CABLE.
2. STRIP TO GIVEN DIMENSIONS.
3. SLIDE CLAMP TOWARD THE BEGINNING OF THE STRIPPED AREA.
4. FLARE / COMB BRAID BACK ONTO THE CLAMP AND STRIP CENTER CONDUCTOR.
5. THREAD CONNECTOR BODY ONTO CLAMP.
6. SOLDER CONNECTOR BODY ON TO THE BRAIDED & CLAMP THROUGH SOLDER HOLE.
7. SOLDER CENTER CONTACT ONTO THE CENTER CONDUCTOR.
8. SLIDE COUPLING NUT FORWARD & THREAD ONTO THE CONNECTOR BODY.

DWG TITLE

PE44829

NOTES:
1. UNLESS OTHERWISE SPECIFIED ALL DIMENSIONS ARE NOMINAL.
2. ALL SPECIFICATIONS ARE SUBJECT TO CHANGE WITHOUT NOTICE AT ANY TIME.
3. DIMENSIONS ARE IN INCHES [mm].
4. FITS MIL-C-17 AND EQUIVALENT CABLES.

FSCM NO. 53919

CAD FILE 052113

SCALE N/A

SIZE A

2233

PE PASTERNAK®
Pasternack Enterprises, Inc.
P.O. Box 16759 | Irvine | CA | 92623
Phone: (949) 261-1920 | Fax: (949) 261-7451
Website: www.pasternack.com | E-Mail: sales@pasternack.com



Flexible RG141 Coax Cable Single Shielded with Beige PTFE (Fiberglass reinforced) Jacket

RF Cables Technical Data Sheet

RG141A/U

Configuration

- Flexible Cable
- 1 Shield(s)

Electrical Specifications

Description	Minimum	Typical	Maximum	Units
Frequency Range	DC		10	GHz
Impedance		50 ±2		Ohms
Velocity of Propagation		70		%
Dielectric Withstanding Voltage (AC)			5,000	Vrms
Jacket Spark			2,000	Vrms
Nominal Capacitance		29.4 [96.46]		pF/ft [pF/m]

Performance by Frequency Band

Description	F1	F2	F3	F4	F5	Units
Frequency	0.01	0.1	1	5	10	GHz
Attenuation, Typ	1.2	3.9	13	36	62	dB/100ft
	3.94	12.8	42.65	118.11	203.41	dB/100m

Mechanical Specifications

Diameter	0.19 in [4.83 mm]
Weight	0.033 lbs/ft [0.05 Kg/m]

Construction Specifications

Description	Material and Plating	Diameter
Inner Conductor	Copper Clad Steel, Silver, 1 Strands	0.037 in [0.94 mm]
Conductor Type	Solid	
Dielectric	PTFE	0.116 in [2.95 mm]
First Shield	Silver Plated Copper	

Click the following link (or enter part number in "SEARCH" on website) to obtain additional part information including price, inventory and certifications: [Flexible RG141 Coax Cable Single Shielded with Beige PTFE \(FG\) Jacket RG141A/U](#)



Flexible RG141 Coax Cable Single Shielded with Beige PTFE (Fiberglass reinforced) Jacket

RF Cables Technical Data Sheet

RG141A/U

Jacket	PTFE (FG), Beige	0.19 in [4.83 mm]
--------	------------------	-------------------

Environmental Specifications

Temperature

Operating Range -55 to +200 deg C

Compliance Certifications (see [product page](#) for current document)

Plotted and Other Data

Notes:

Flexible RG141 Coax Cable Single Shielded with Beige PTFE (Fiberglass reinforced) Jacket from Pasternack Enterprises has same day shipment for domestic and International orders. Our RF, microwave and millimeter wave products maintain a 99.4% availability and are part of the broadest selection in the industry.

Click the following link (or enter part number in "SEARCH" on website) to obtain additional part information including price, inventory and certifications: [Flexible RG141 Coax Cable Single Shielded with Beige PTFE \(FG\) Jacket RG141A/U](#)

URL: <https://www.pasternack.com/flexible-0.190-rg141-50-ohm-coax-cable-ptfe-fr-jacket-rg141a-u-p.aspx>

The information contained in this document is accurate to the best of our knowledge and representative of the part described herein. It may be necessary to make modifications to the part and/or the documentation of the part, in order to implement improvements. Pasternack reserves the right to make such changes as required. Unless otherwise stated, all specifications are nominal. Pasternack does not make any representation or warranty regarding the suitability of the part described herein for any particular purpose, and Pasternack does not assume any liability arising out of the use of any part or documentation.

RG141A/U CAD Drawing

Flexible RG141 Coax Cable Single Shielded with Beige PTFE (Fiberglass reinforced) Jacket



NOTES:
1. UNLESS OTHERWISE SPECIFIED ALL DIMENSIONS ARE NOMINAL.
2. ALL SPECIFICATIONS ARE SUBJECT TO CHANGE WITHOUT NOTICE AT ANY TIME.
3. DIMENSIONS ARE IN INCHES [mm].

DWG TITLE
RG141A/U

REV. A FSCM NO. 53919
CAD FILE 022808-A SCALE N/A SIZE A 147

PE PASTERNAK®
Pasternack Enterprises, Inc.
P.O. Box 16759 | Irvine | CA | 92623
Phone: (949) 261-1920 | Fax: (949) 261-7451
Website: www.pasternack.com | E-Mail: sales@pasternack.com