



RP TNC Female Connector Crimp/Solder Attachment for PE-C400, PE-B400, PE-B405, LMR-400, LMR-400-DB, LMR-400-UF, 0.400 inch

RF Connectors Technical Data Sheet

PE44673

Configuration

- TNC Female Reverse Polarity Connector
- 50 Ohms
- Straight Body Geometry
- PE-C400, PE-B400, PE-B405, LMR-400, LMR-400-DB, LMR-400-UF, 0.400 inch Interface Type
- Crimp/Solder Attachment

Features

- Max. Operating Frequency 11 GHz
- Gold Plated Brass Contact
- Reverse Polarity

Applications

- General Purpose Test
- Custom Cable Assemblies

Description

Pasternack's PE44673 RP TNC female connector with crimp/solder attachment for PE-C400, PE-B400, PE-B405, LMR-400, LMR-400-DB, LMR-400-UF and 0.400 inch is part of our full line of RF components available for same-day shipping. The female reverse polarity configuration uses a female connector body with a male inner contact pin. Our TNC female connector operates up to a maximum frequency of 11 GHz.

Our reverse polarity TNC female connector PE44673 datasheet specifications and drawing with dimensions are shown below in this PDF. Pasternack's broad catalog of RF, microwave and millimeter wave connectors allows designers to configure and customize their signal connections however they like. Whether the need is to provide an I/O for a board design, or simply create a custom cable assembly configuration, Pasternack has the right connector for the job. Pasternack can also expertly build your custom cable assemblies for you and ship same-day.

Electrical Specifications

| Description | Minimum | Typical | Maximum | Units |
|-----------------|---------|---------|---------|-------|
| Frequency Range | DC | | 11 | GHz |

Mechanical Specifications

| | |
|-------------|---------------------|
| Size | |
| Length | 1.595 in [40.51 mm] |
| Width/Dia. | 0.54 in [13.72 mm] |
| Weight | 0.043 lbs [19.5 g] |

Click the following link (or enter part number in "SEARCH" on website) to obtain additional part information including price, inventory and certifications: [RP TNC Female Connector Crimp/Solder Attachment for PE-C400, PE-B400, PE-B405, LMR-400, LMR-400-DB, LMR-400-UF, 0.400 inch PE44673](#)



RP TNC Female Connector Crimp/Solder Attachment for PE-C400, PE-B400, PE-B405, LMR-400, LMR-400-DB, LMR-400-UF, 0.400 inch

RF Connectors Technical Data Sheet

PE44673

Material Specifications

| Description | Material | Plating |
|-------------|----------|---------|
| Contact | Brass | Gold |
| Insulation | PTFE | |
| Body | Brass | Nickel |

Environmental Specifications

Temperature

Operating Range -65 to +165 deg C

Compliance Certifications (see [product page](#) for current document)

Plotted and Other Data

Notes:

RP TNC Female Connector Crimp/Solder Attachment for PE-C400, PE-B400, PE-B405, LMR-400, LMR-400-DB, LMR-400-UF, 0.400 inch from Pasternack Enterprises has same day shipment for domestic and International orders. Our RF, microwave and millimeter wave products maintain a 99% availability and are part of the broadest selection in the industry.

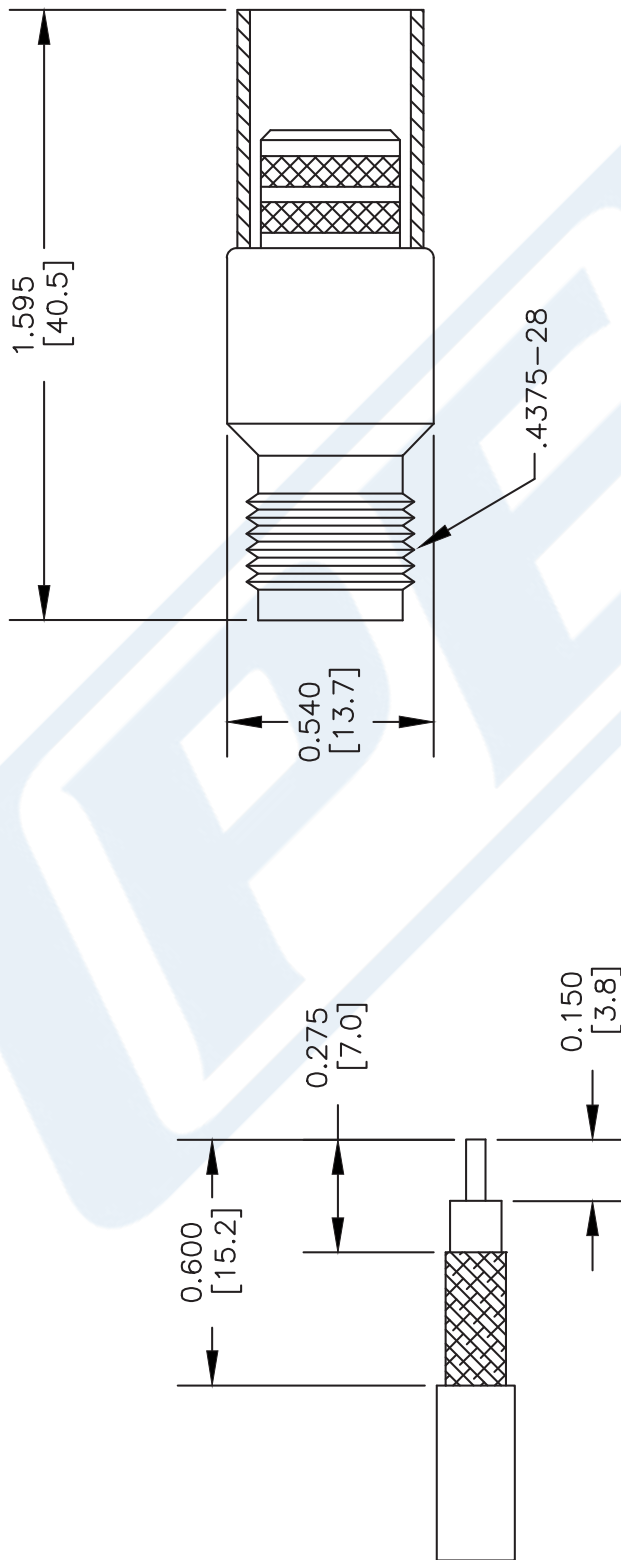
Click the following link (or enter part number in "SEARCH" on website) to obtain additional part information including price, inventory and certifications: [RP TNC Female Connector Crimp/Solder Attachment for PE-C400, PE-B400, PE-B405, LMR-400, LMR-400-DB, LMR-400-UF, 0.400 inch PE44673](#)

URL: <https://www.pasternack.com/tnc-female-reverse-polarity-pe-c400-0.400-connector-pe44673-p.aspx>

The information contained in this document is accurate to the best of our knowledge and representative of the part described herein. It may be necessary to make modifications to the part and/or the documentation of the part, in order to implement improvements. Pasternack reserves the right to make such changes as required. Unless otherwise stated, all specifications are nominal. Pasternack does not make any representation or warranty regarding the suitability of the part described herein for any particular purpose, and Pasternack does not assume any liability arising out of the use of any part or documentation.

PE44673 CAD Drawing

RP TNC Female Connector Crimp/Solder Attachment for PE-C400, PE-B400, PE-B405, LMR-400, LMR-400-DB, LMR-400-UF, 0.400 inch



STRIPPING DIMENSIONS

CRIMP SIZE REQUIRED

CONTACT: SOLDER

FERRULE: .429" HEX CRIMP TOOL

DWG TITLE

PE44673

NOTES:
 1. UNLESS OTHERWISE SPECIFIED ALL DIMENSIONS ARE NOMINAL.
 2. ALL SPECIFICATIONS ARE SUBJECT TO CHANGE WITHOUT NOTICE AT ANY TIME.
 3. DIMENSIONS ARE IN INCHES [mm].
 4. FITS MIL-C-17 AND EQUIVALENT CABLES.

FSCM NO. 53919

CAD FILE 102109

SCALE N/A

SIZE A

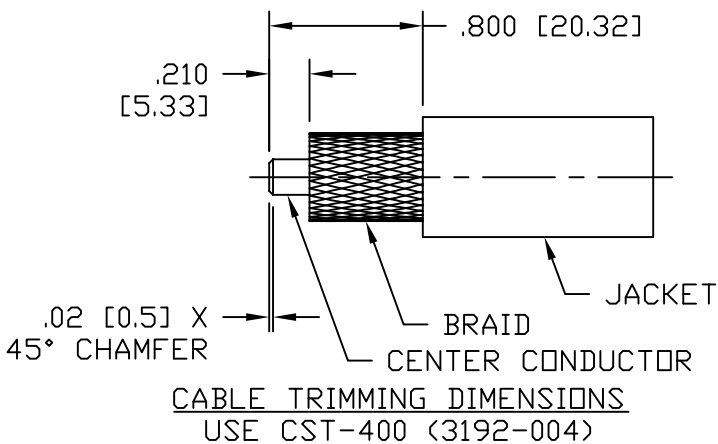
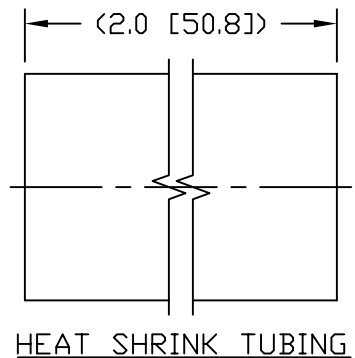
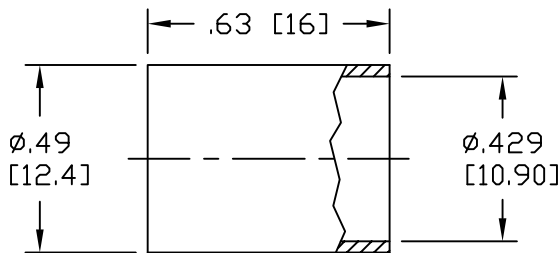
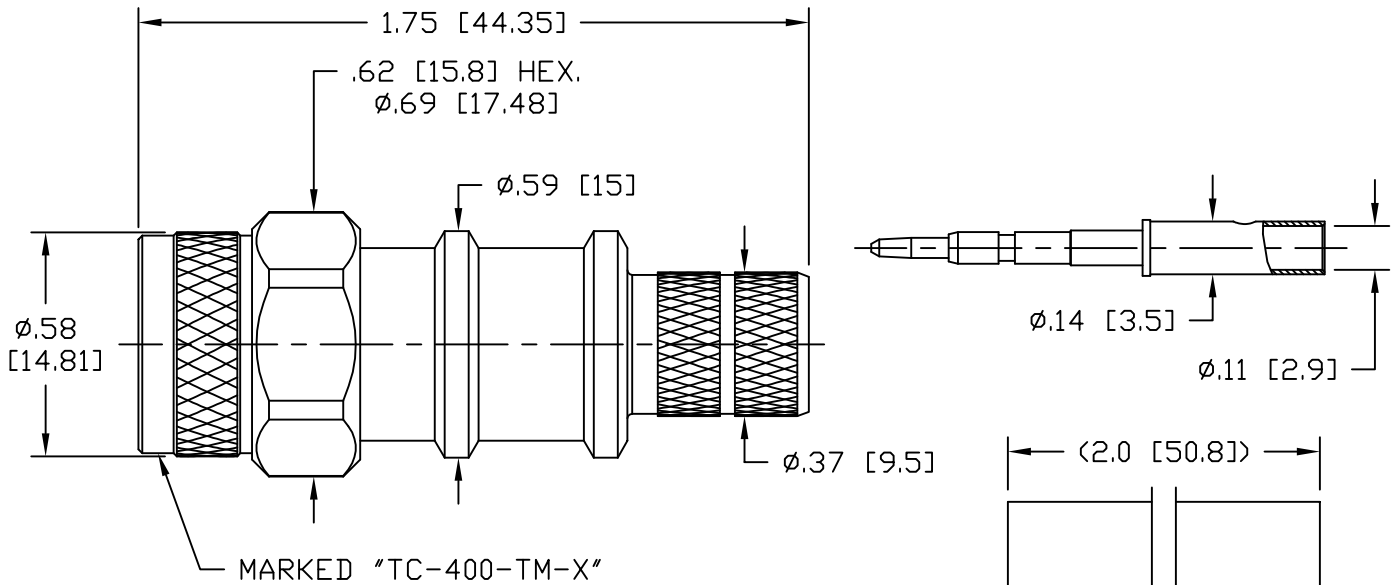
XXXX



PASTERNAK®
 Pasternack Enterprises, Inc.
 P.O. Box 16759 | Irvine | CA | 92623
 Phone: (949) 261-1920 | Fax: (949) 261-7451
 Website: www.pasternack.com | E-Mail: sales@pasternack.com

NOTICE OF PROPRIETARY RIGHTS THIS DOCUMENT CONTAINS CONFIDENTIAL TECHNICAL DATA, INCLUDING TRADE SECRETS, PROPRIETARY TO TIMES MICROWAVE SYSTEMS. DISCLOSURE OF THIS DATA IS EXPRESSLY CONDITIONED UPON YOUR ASSENT THAT ITS USE IS LIMITED TO USE WITHIN YOUR COMPANY ONLY. ANY OTHER USE IS STRICTLY PROHIBITED WITHOUT THE PRIOR WRITTEN CONSENT OF TIMES MICROWAVE SYSTEMS.

| SYM | REVISION DESCRIPTION | DFTM | DATE | APPD | DATE |
|-----|-------------------------|--------|----------|--------|----------|
| A | RELEASED FOR PRODUCTION | K.A.M. | 2/24/10 | J.D.B. | 3/2/10 |
| B | CHANGED PER CDC #34322 | D.J.H. | 10/12/11 | J.D.B. | 10/27/11 |
| C | CHANGED PER CDC #36607 | D.J.H. | 11/16/12 | J.D.B. | 11/19/12 |



- NOTES:
- MATERIALS AND FINISHES:
 BODY: BRASS, ALBALDY PLATING
 COUPLING NUT: BRASS, ALBALDY PLATING
 CENTER CONTACT: BRASS, GOLD PLATING
 FERRULE: COPPER, ALBALDY PLATING
 - ELECTRICAL:
 IMPEDANCE: 50 OHMS NOMINAL
 FREQUENCY: DC-6 GHz
 VSWR: 1.2 DC-6 GHz
 DIELECTRIC WITHSTANDING VOLTAGE: 1,000 VOLTS RMS
 - MECHANICAL:
 DURABILITY: 500 CYCLES MIN.
 TEMPERATURE RANGE: -65°C TO +165°C
 - CABLING INSTRUCTIONS:
 A. SLIDE FERRULE OVER CABLE JACKET
 B. TRIM CABLE TO DIMENSIONS SHOWN. MAKE SURE CUTS ARE SHARP AND SQUARE. DO NOT NICK BRAID OR CENTER CONDUCTOR.
 C. TIN CENTER CONDUCTOR AND PLACE CONTACT ON CENTER CONDUCTOR UNTIL BOTTOMED AGAINST DIELECTRIC. SOLDER CONTACT TO CENTER CONDUCTOR.
 D. FLAIR BRAID SLIGHTLY AND INSERT CABLE INTO UNTIL BOTTOMED. SLIDE THE FERRULE UP THE CABLE AND OVER THE BRAID UNTIL BOTTOMED ON BODY. CRIMP FERRULE USING A .429 HEX.

| | | | |
|------------|--|----------------|---|
| MATERIAL: | UNLESS OTHERWISE SPECIFIED ALL DIMENSIONS ARE IN INCHES MACHINED SURFACES FINISH 32 RMS MAX. REMOVE ALL BURRS .005 MAX. BREAK MACHINE CORNERS .005 MAX. FILLET R. TOLERANCES ON DECIMALS .XX ± .01 .XXX ± .005 ANGLES ± 1° FRACTIONS ± 1/64 | DFTM: K. A. M. | TIMES MICROWAVE SYSTEMS |
| | | DATE: 2/24/10 | |
| USED ON: D | DO NOT SCALE DRAWING | CHKD: J. D. B. | TC-400-TM-X PLUG, TNC FOR LMR-400 |
| | | DATE: 3/2/10 | |
| SCALE: ~ | DWG. SIZE: A | APPD: J. D. B. | SHEET 1 of 1 |
| | CODE IDENT: 68999 | DATE: 3/2/10 | |

LMR[®]-400 Flexible Low Loss Communications Coax

Ideal for...

- Drop-in replacement for RG-8/9913 Air-Dielectric type Cable
- Jumper Assemblies in Wireless Communications Systems
- Short Antenna Feeder runs
- Any application (e.g. WLL, GPS, LMR, WLAN, WISP, WiMax, SCADA, Mobile Antennas) requiring an easily routed, low loss RF cable



- **LMR[®]** standard is a UV Resistant Polyethylene jacketed cable designed for 20-year service outdoor use. The bending and handling characteristics are significantly better than air-dielectric and corrugated hard-line cables.
- **LMR[®]-DB** is identical to standard LMR plus has the advantage of being watertight. The addition of waterproofing compound in and around the foil/braid insures continuous reliable service should the jacket be inadvertently damaged during installation or in the future.
- **LMR[®]-FR** is a non-halogen (non-toxic), low smoke, fire retardant cable designed for in-building runs that can be routed anywhere except air handling plenums. LMR-FR is UL/NEC & CSA rated 'CMR' and 'FT4' respectively, meets FAA FAR25 requirements and is MSHA-P for mining applications.
- **LMR[®]-FR-PVC** is a general-purpose indoor cable and has a UL/NEC & CSA rating of 'CMR' and 'FT4' respectively. It is less expensive than LMR-FR, however it emits toxic fumes (HCL) and greater smoke density when burned.
- **LMR[®]-PVC** is designed for low loss general-purpose applications and is somewhat more flexible than the standard polyethylene jacketed LMR.
- **LMR[®]-PVC-W** is a white-jacketed version of LMR-PVC for marine and other applications where color compatibility is desired.

- **Flexibility** and bendability are hallmarks of the LMR-400 cable design. The flexible outer conductor enables the tightest bend radius available for any cable of similar size and performance.
- **Low Loss** is another hallmark feature of LMR-400.

Size for size LMR has the lowest loss of any flexible cable and comparable loss to semirigid hard-line cables.

- **RF Shielding** is 50 dB greater than typical single shielded coax (40 dB). The multi-ply bonded foil outer conductor is rated conservatively at > 90 dB (i.e. >180 dB between two adjacent cables).
- **Weatherability:** LMR-400 cables designed for outdoor exposure incorporate the best materials for UV resistance and have life expectancy in excess of 20 years.
- **Connectors:** A wide variety of connectors are available for LMR-400 cable, including all common interface types, reverse polarity, and a choice of solder or non-solder center pins. Most LMR connectors employ crimp outer attachment using standard hex crimp sizes.
- **Cable Assemblies:** All LMR-400 cable types are available as pre-terminated cable assemblies. Refer to the section on FlexTech for further details.

| Part Description | | | | | Stock |
|------------------|----------------------|-----------|-------|-------|-------|
| Part Number | Application | Jacket | Color | Code | Code |
| LMR-400 | Outdoor | PE | Black | 54001 | |
| LMR-400-DB | Outdoor/Watertight | PE | Black | 54091 | |
| LMR-400-FR | Indoor/Outdoor Riser | CMR FRPE | Black | 54030 | |
| LMR-400-FR-PVC | Indoor/Outdoor Riser | CMR FRPVC | Black | 54073 | |
| LMR-400-PVC | General Purpose | PVC | Black | 54218 | |
| LMR-400-PVC-W | General Purpose | PVC | White | 54204 | |

| Construction Specifications | | | |
|-----------------------------|-------------------|-------|---------|
| Description | Material | In. | (mm) |
| Inner Conductor | Solid BCCAI | 0.108 | (2.74) |
| Dielectric | Foam PE | 0.285 | (7.24) |
| Outer Conductor | Aluminum Tape | 0.291 | (7.39) |
| Overall Braid | Tinned Copper | 0.320 | (8.13) |
| Jacket | (see table above) | 0.405 | (10.29) |

LMR[®]-400 Flexible Low Loss Communications Coax



Connectors

| Interface | Description | Part Number | Stock Code | VSWR** Freq. (GHz) | Coupling Nut | Inner Contact Attach | Outer Contact Attach | Finish* Body /Pin | Length in (mm) | Width in (mm) | Weight lb(g) |
|-----------------|------------------|-------------------|------------|-----------------------|-----------------|----------------------------|----------------------------|-------------------------|----------------------|---------------------|-----------------|
| 7-16 DIN Female | Straight Jack | TC-400-716-FC | 3190-376 | <1.25:1 (2.5) | NA | Solder | Clamp | S/S | 1.6 (41) | 1.13 (28.7) | 0.281 (127.5) |
| 7-16 DIN Male | Straight Plug | EZ-400-716M-X | 3190-2524 | <1.25:1 (6) | Hex | Spring Finger Crimp | | A/G | 1.6 (39.5) | 1.38 (35) | 0.277 (126.0) |
| 7-16 DIN Male | Straight Plug | TC-400-716-MC | 3190-279 | <1.25:1 (2.5) | Hex | Solder | Clamp | S/S | 1.4 (36) | 1.40 (35.6) | 0.268 (121.6) |
| 7-16 DIN Male | Right Angle | TC-400-716MC-RA | 3190-1671 | <1.25:1 (<3) | Hex | Solder | Clamp | A/S | 2.4 (61.5) | 1.88 (47.8) | 0.35 (159) |
| 7-16DIN Male | Right Angle | EZ-400-716M-RA-X | 3190-2545 | <1.35:1 (6) | Hex | Spring Finger Crimp | | A/G | 1.6 (41.7) | 1.75 (44.3) | 0.374 (0.17) |
| BNC Male | Straight Plug | TC-400-BM | 3190-318 | <1.25:1 (2.5) | Knurl | Solder | Crimp | N/S | 1.7 (43) | 0.56 (14.2) | 0.063 (28.6) |
| HN Male | Straight Plug | TC-400-HNM | 3190-923 | <1.25:1 (<1) | Knurl | Solder | Clamp | S/G | 2.3 (59.2) | 0.88 (22.4) | 0.25 (113.4) |
| HN Male | Right Angle | TC-400-HNM-RA | 3190-2541 | <1.25:1 (2.5) | Hex | Solder | Crimp | A/G | 1.6 (41.4) | 1.56 (39.6) | 0.198 (90.0) |
| QDS Male | Straight Plug | TC-400-QDSM | 3190-620 | <1.25:1 (<3) | Knurl | Solder | Clamp | A/G | 1.8 (46.6) | 1.00 (25.4) | 0.25 (113.4) |
| Mini-UHF | Straight Plug | TC-400-MUHF | 3190-520 | <1.25:1 (2.5) | Knurl | Solder | Crimp | N/G | 1.1 (28) | 0.50 (12.7) | 0.020 (9.1) |
| N Female | Straight Jack | TC-400-NFC | 3190-299 | <1.25:1 (2.5) | NA | Solder | Clamp | N/S | 1.6 (41) | 0.75 (19.1) | 0.119 (54.0) |
| | Straight Jack | EZ-400-NF | 3190-956 | <1.25:1 (2.5) | NA | Spring Finger Crimp | | N/G | 1.8 (45) | 0.66 (16.8) | 0.105 (47.6) |
| | Straight Jack | TC-400-NF | 3190-2255 | <1.25:1 (2.5) | NA | Solder | Crimp | N/G | 1.8 (45) | 0.66 (16.8) | 0.105 (47.6) |
| | Bulkhead Jack | EZ-400-NF-BH | 3190-518* | <1.25:1 (2.5) | NA | Spring Finger Crimp | | N/G | 1.8 (46) | 0.88 (22.4) | 0.102 (46.3) |
| | Bulkhead Jack | TC-400-NFC-BH (A) | 3190-872 | <1.25:1 (2.5) | NA | Solder | Clamp | A/G | 1.8 (46) | 0.88 (22.4) | 0.145 (65.8) |
| N Male | Straight Plug | SC-400-NM | 3190-1454 | <1.25:1 (2.5) | Knurl | Solder | Crimp | N/G | 1.5 (38) | 0.75 (19.1) | 0.090 (40.8) |
| | Straight Plug | TC-400-NMC | 3190-277 | <1.25:1 (2.5) | Knurl | Solder | Clamp | N/G | 1.5 (38) | 0.70 (17.8) | 0.121 (54.9) |
| | Straight Plug | EZ-400-NMC-2 | 3190-2640 | <1.25:1 (2.5) | Hex/Knurl | Spring Finger Crimp | | N/G | 1.5 (38) | 0.75 (19.1) | 0.121 (54.9) |
| | Straight Plug | EZ-400-NMH-X | 3190-2590 | <1.25:1 (10) | Hex/Knurl | Spring Finger Crimp | | A/G | 1.5 (38) | 0.89 (22.6) | 0.103 (46.8) |
| | Straight Plug | TC-400-NMH-X | 3190-2626 | <1.25:1 (10) | Hex/Knurl | Solder | Crimp | A/G | 1.5 (38) | 0.89 (22.6) | 0.113 (51.3) |
| | Straight Plug | EZ-400-NMK | 3190-661 | <1.25:1 (10) | Knurl | Spring Finger Crimp | | S/G | 1.5 (38) | 0.75 (22.6) | 0.113 (51.3) |
| | Right Angle | EZ-400-NMH-RA-X | 3190-2638 | <1.35:1 (6) | Hex/Knurl | Spring Finger Crimp | | A/G | 1.87 (47) | 1.42 (36.0) | 0.177 (80.2) |
| | Right Angle | TC-400-NMH-RA-D | 3190-2293* | <1.35:1 (6) | Hex/Knurl | Solder | Crimp | A/G | 1.8 (46) | 1.25 (31.8) | 0.130 (59.0) |
| | Right Angle | TC-400-NMC-RA (A) | 3190-870 | <1.35:1 (2.5) | Hex | Solder | Clamp | A/G | 1.8 (46) | 1.25 (31.8) | 0.150 (68.0) |
| | Reverse Polarity | TC-400-NM-RP | 3190-960 | <1.25:1 (2.5) | Knurl | Solder | Crimp | N/G | 1.5 (38) | 0.75 (19.1) | 0.090 (40.8) |
| SMA Male | Straight Plug | TC-400-SM | 3190-439 | <1.25:1 (8) | Hex | Solder | Crimp | N/G | 1.2 (29) | 0.50 (12.7) | 0.032 (14.5) |
| TNC Female | Reverse Polarity | TC-400-TF-RP | 3190-1063 | <1.25:1 (2.5) | NA | Solder | Crimp | N/G | 1.8 (46) | 0.55 (14.0) | 0.074 (33.6) |
| | Reverse Polarity | EZ-400-TF-RP | 3190-795 | <1.25:1 (2.5) | NA | Spring Finger Crimp | | A/G | 1.8 (46) | 0.55 (14.0) | 0.074 (33.6) |
| TNC Male | Straight Plug | TC-400-TM-X | 3190-2532 | <1.25:1 (6) | Hex/Knurl | Solder | Crimp | A/G | 1.9 (48) | 0.67 (17.5) | 0.075 (34.3) |
| | Straight Plug | EZ-400-TM-X | 3190-2533 | <1.25:1 (6) | Hex/Knurl | Spring Finger Crimp | | A/G | 1.9 (48) | 0.67 (17.5) | 0.075 (34.3) |
| | Right Angle | TC-400-TM-RA | 3190-442* | <1.35:1 (2.5) | Knurl | Solder | Crimp | N/G | 1.7 (43) | 0.59 (15.0) | 0.085 (38.6) |
| | Reverse Polarity | TC-400-TM-RP | 3190-1062 | <1.25:1 (2.5) | Knurl | Solder | Crimp | N/G | 1.7 (43) | 0.59 (15.0) | 0.074 (33.6) |
| | Reverse Polarity | EZ-400-TM-RP | 3190-794 | <1.25:1 (2.5) | Knurl | Spring Finger Crimp | | A/G | 1.7 (43) | 0.59 (15.0) | 0.074 (33.6) |