



RP SMA Female Bulkhead Connector Clamp/  
Solder Attachment For RG58, RG55, RG141,  
RG142, RG223, RG400, .235 inch D Hole

TECHNICAL DATA SHEET

PE4854

**RP SMA Female Bulkhead Connector Clamp/Solder Attachment For RG58, RG55, RG141, RG142, RG223, RG400, .235 inch D Hole**

**Configuration**

|  |  |
|--|--|
| Connector                                | SMA Female Reverse Polarity            |
| Connector Specification                  | MIL-C-39012                            |
| Connector Interface Type                 | RG58, RG55, RG141, RG142, RG223, RG400 |
| Cable Attachment Method (Shield/Contact) | Clamp/Solder                           |
| Body Style                               | Straight                               |
| Mount Method                             | Bulkhead                               |

**Electrical Specifications**

|                 |    |
|-----------------|----|
| Impedance, Ohms | 50 |
|-----------------|----|

**Mechanical Specifications**

**Temperature**

|                        |             |
|------------------------|-------------|
| Operating Range, deg C | -65 to +165 |
|------------------------|-------------|

**Size**

|                     |               |
|---------------------|---------------|
| Length, in [mm]     | 0.875 [22.23] |
| Width/Dia., in [mm] | 0.312 [7.92]  |
| Weight, lbs [g]     | 0.013 [5.9]   |

**Connector**

|                               |                             |
|-------------------------------|-----------------------------|
| Type                          | SMA Female Reverse Polarity |
| Contact Material and Plating  | Gold                        |
| Contact Plating Specification | MIL-G-45204                 |
| Body Material and Plating     | Brass, Nickel               |
| Dielectric Type               | Teflon                      |

**Compliance Certifications** (visit [www.Pasternack.com](http://www.Pasternack.com) for current document)

|                |     |
|----------------|-----|
| RoHS Compliant | Yes |
|----------------|-----|

Click the following link (or enter part number in "SEARCH" on website) to obtain additional part information including price, inventory and certifications: [RP SMA Female Bulkhead Connector Clamp/Solder Attachment For RG58, RG55, RG141, RG142, RG223, RG400, .235 inch D Hole PE4854](#)

The information contained in this document is accurate to the best of our knowledge and representative of the part described herein. It may be necessary to make modifications to the part and/or the documentation of the part, in order to implement improvements. Pasternack reserves the right to make such changes as required. Unless otherwise stated, all specifications are nominal.



RP SMA Female Bulkhead Connector Clamp/  
Solder Attachment For RG58, RG55, RG141,  
RG142, RG223, RG400, .235 inch D Hole

## TECHNICAL DATA SHEET

PE4854

### Plotted and Other Data

Notes:

Values at 25 °C, sea level

RP SMA Female Bulkhead Connector Clamp/Solder Attachment For RG58, RG55, RG141, RG142, RG223, RG400, .235 inch D Hole from Pasternack Enterprises has same day shipment for domestic and International orders. Our RF, microwave and fiber optic products maintain a 99% availability and are part of the broadest selection in the industry.

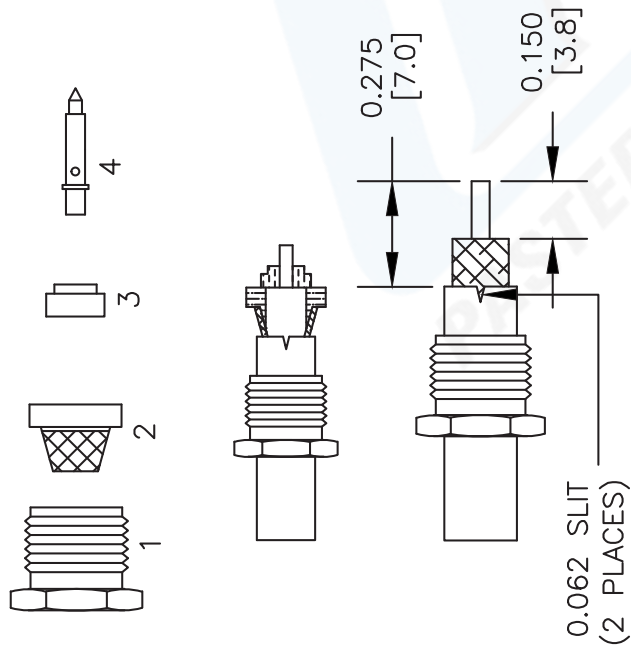
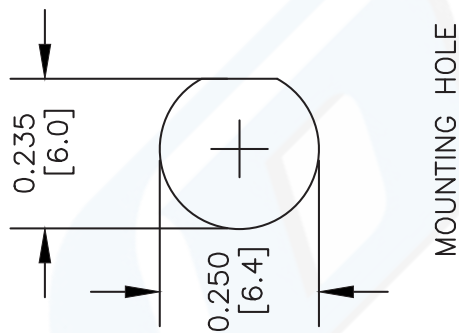
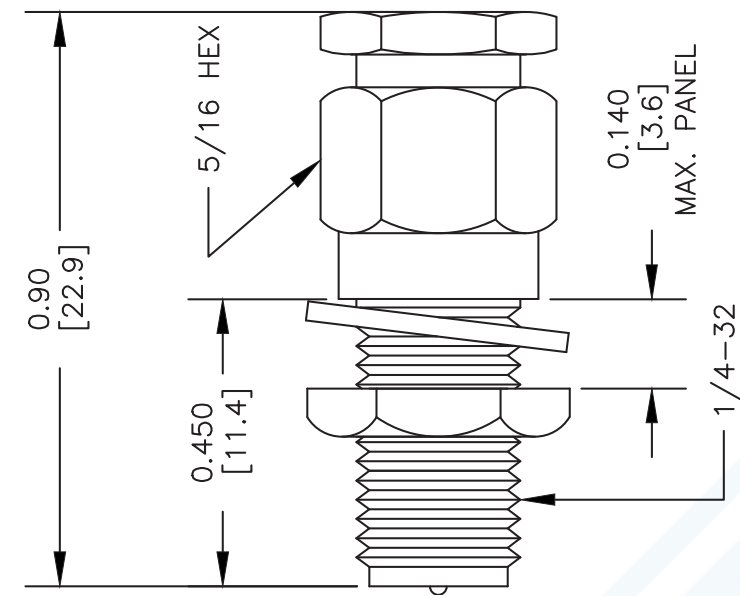
Click the following link (or enter part number in "SEARCH" on website) to obtain additional part information including price, inventory and certifications: [RP SMA Female Bulkhead Connector Clamp/Solder Attachment For RG58, RG55, RG141, RG142, RG223, RG400, .235 inch D Hole PE4854](http://www.pasternack.com/sma-female-reverse-polarity-rg58-rg55-rg141-rg142-rg223-rg400-connector-pe4854-p.aspx)

URL: <http://www.pasternack.com/sma-female-reverse-polarity-rg58-rg55-rg141-rg142-rg223-rg400-connector-pe4854-p.aspx>

The information contained in this document is accurate to the best of our knowledge and representative of the part described herein. It may be necessary to make modifications to the part and/or the documentation of the part, in order to implement improvements. Pasternack reserves the right to make such changes as required. Unless otherwise stated, all specifications are nominal.

# PE4854 CAD Drawing

RP SMA Female Bulkhead Connector Clamp/Solder Attachment For  
RG58, RG55, RG141, RG142, RG223, RG400, .235 inch D Hole



## STRIPPING DIMENSIONS

## ASSEMBLY PROCEDURES

1. SLIDE CLAMP NUT (1) OVER CABLE. STRIP CABLE AS SHOWN.
2. FLARE BRAID AND SLIDE CLAMP (2) OVER DIELECTRIC AND UNDER BRAID UNTIL THE CLAMP STOPS. TRIM EXCESS BRAID TO DIAMETER OF THE CLAMP (2).
3. SLIDE PTFE (3) OVER CENTER CONDUCTOR AND AGAINST CLAMP (2). INSERT CONTACT (4) AND SOLDER IT ONTO CENTER CONDUCTOR.
4. INSERT ASSEMBLY INTO BODY AND TIGHTEN.

DWG TITLE

**PE4854**

NOTES:  
1. UNLESS OTHERWISE SPECIFIED ALL DIMENSIONS ARE NOMINAL.  
2. ALL SPECIFICATIONS ARE SUBJECT TO CHANGE WITHOUT NOTICE AT ANY TIME.  
3. DIMENSIONS ARE IN INCHES [mm].  
4. FITS MIL-C-17 AND EQUIVALENT CABLES.

FSCM NO. 53919

CAD FILE 060713

SCALE N/A

SIZE A

2233



**PASTERNAK®**  
Pasternack Enterprises, Inc.  
P.O. Box 16759 | Irvine | CA | 92623

Phone: (949) 261-1920 | Fax: (949) 261-7451

Website: [www.pasternack.com](http://www.pasternack.com) | E-Mail: [sales@pasternack.com](mailto:sales@pasternack.com)



RP SMA Female Bulkhead Connector Clamp/  
Solder Attachment For RG58, RG55, RG141,  
RG142, RG223, RG400, .235 inch D Hole

TECHNICAL DATA SHEET

PE4854

**RP SMA Female Bulkhead Connector Clamp/Solder Attachment For RG58, RG55, RG141, RG142, RG223, RG400, .235 inch D Hole**

**Configuration**

|  |  |
|--|--|
| Connector                                | SMA Female Reverse Polarity            |
| Connector Specification                  | MIL-C-39012                            |
| Connector Interface Type                 | RG58, RG55, RG141, RG142, RG223, RG400 |
| Cable Attachment Method (Shield/Contact) | Clamp/Solder                           |
| Body Style                               | Straight                               |
| Mount Method                             | Bulkhead                               |

**Electrical Specifications**

|                 |    |
|-----------------|----|
| Impedance, Ohms | 50 |
|-----------------|----|

**Mechanical Specifications**

**Temperature**

|                        |             |
|------------------------|-------------|
| Operating Range, deg C | -65 to +165 |
|------------------------|-------------|

**Size**

|                     |               |
|---------------------|---------------|
| Length, in [mm]     | 0.875 [22.23] |
| Width/Dia., in [mm] | 0.312 [7.92]  |
| Weight, lbs [g]     | 0.013 [5.9]   |

**Connector**

|                               |                             |
|-------------------------------|-----------------------------|
| Type                          | SMA Female Reverse Polarity |
| Contact Material and Plating  | Gold                        |
| Contact Plating Specification | MIL-G-45204                 |
| Body Material and Plating     | Brass, Nickel               |
| Dielectric Type               | Teflon                      |

**Compliance Certifications** (visit [www.Pasternack.com](http://www.Pasternack.com) for current document)

|                |     |
|----------------|-----|
| RoHS Compliant | Yes |
|----------------|-----|

Click the following link (or enter part number in "SEARCH" on website) to obtain additional part information including price, inventory and certifications: [RP SMA Female Bulkhead Connector Clamp/Solder Attachment For RG58, RG55, RG141, RG142, RG223, RG400, .235 inch D Hole PE4854](#)

The information contained in this document is accurate to the best of our knowledge and representative of the part described herein. It may be necessary to make modifications to the part and/or the documentation of the part, in order to implement improvements. Pasternack reserves the right to make such changes as required. Unless otherwise stated, all specifications are nominal.



RP SMA Female Bulkhead Connector Clamp/  
Solder Attachment For RG58, RG55, RG141,  
RG142, RG223, RG400, .235 inch D Hole

## TECHNICAL DATA SHEET

PE4854

### Plotted and Other Data

Notes:

Values at 25 °C, sea level

RP SMA Female Bulkhead Connector Clamp/Solder Attachment For RG58, RG55, RG141, RG142, RG223, RG400, .235 inch D Hole from Pasternack Enterprises has same day shipment for domestic and International orders. Our RF, microwave and fiber optic products maintain a 99% availability and are part of the broadest selection in the industry.

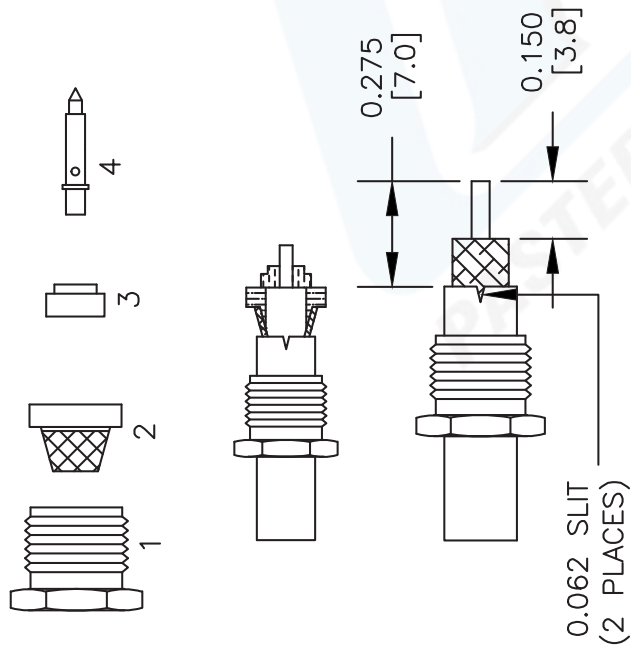
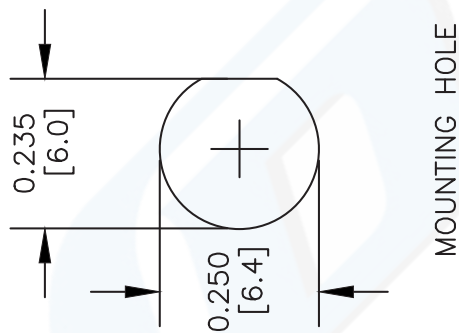
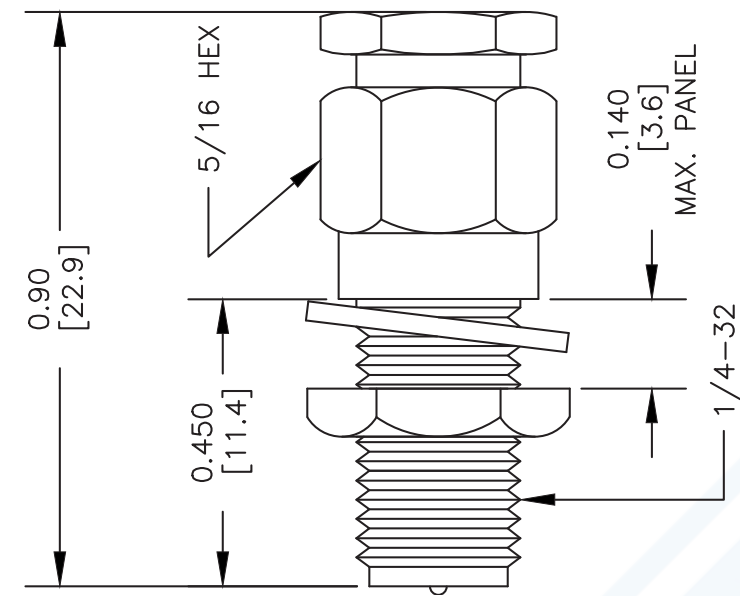
Click the following link (or enter part number in "SEARCH" on website) to obtain additional part information including price, inventory and certifications: [RP SMA Female Bulkhead Connector Clamp/Solder Attachment For RG58, RG55, RG141, RG142, RG223, RG400, .235 inch D Hole PE4854](http://www.pasternack.com/sma-female-reverse-polarity-rg58-rg55-rg141-rg142-rg223-rg400-connector-pe4854-p.aspx)

URL: <http://www.pasternack.com/sma-female-reverse-polarity-rg58-rg55-rg141-rg142-rg223-rg400-connector-pe4854-p.aspx>

The information contained in this document is accurate to the best of our knowledge and representative of the part described herein. It may be necessary to make modifications to the part and/or the documentation of the part, in order to implement improvements. Pasternack reserves the right to make such changes as required. Unless otherwise stated, all specifications are nominal.

# PE4854 CAD Drawing

RP SMA Female Bulkhead Connector Clamp/Solder Attachment For  
RG58, RG55, RG141, RG142, RG223, RG400, .235 inch D Hole



## STRIPPING DIMENSIONS

## ASSEMBLY PROCEDURES

1. SLIDE CLAMP NUT (1) OVER CABLE STRIP CABLE AS SHOWN.
2. FLARE BRAID AND SLIDE CLAMP (2) OVER DIELECTRIC AND UNDER BRAID UNTIL THE CLAMP STOPS. TRIM EXCESS BRAID TO DIAMETER OF THE CLAMP (2).
3. SLIDE PTFE (3) OVER CENTER CONDUCTOR AND AGAINST CLAMP (2). INSERT CONTACT (4) AND SOLDER IT ONTO CENTER CONDUCTOR.
4. INSERT ASSEMBLY INTO BODY AND TIGHTEN.

DWG TITLE

**PE4854**

- NOTES:
1. UNLESS OTHERWISE SPECIFIED ALL DIMENSIONS ARE NOMINAL.
  2. ALL SPECIFICATIONS ARE SUBJECT TO CHANGE WITHOUT NOTICE AT ANY TIME.
  3. DIMENSIONS ARE IN INCHES [mm].
  4. FITS MIL-C-17 AND EQUIVALENT CABLES.

FSCM NO. 53919

CAD FILE 060713

SCALE N/A

SIZE A

2233



Pasternack Enterprises, Inc.

P.O. Box 16759 | Irvine | CA | 92623

Phone: (949) 261-1920 | Fax: (949) 261-7451

Website: [www.pasternack.com](http://www.pasternack.com) | E-Mail: [sales@pasternack.com](mailto:sales@pasternack.com)



## Flexible RG223 Coax Cable Double Shielded with Black PVC Jacket

### TECHNICAL DATA SHEET

RG223/U

#### Configuration

|                                      |  |
|--------------------------------------|--|
| Inner Conductor Material and Plating | Copper, Silver   |
| Dielectric Type                      | PE   |
| Shield Materials                     | Silver Plated Copper Braid, Silver Plated Copper Braid |
| Jacket Material and Color            | PVC, Black   |

#### Electrical Specifications

|                                  |               |
|----------------------------------|---------------|
| Impedance, Ohms                  | 50            |
| Velocity of Propagation, %       | 66            |
| Maximum Operating Frequency, GHz | 12.4          |
| Capacitance, pF/ft [pF/m]        | 30.8 [101.05] |
| Maximum Operating Voltage, Volts | 1,900         |

#### Electrical Specifications by Frequency

##### Frequency 1

|                                 |           |
|---------------------------------|-----------|
| Frequency, MHz                  | 100       |
| Attenuation, dB/100ft [dB/100m] | 4 [13.12] |

##### Frequency 2

|                                 |            |
|---------------------------------|------------|
| Frequency, MHz                  | 400        |
| Attenuation, dB/100ft [dB/100m] | 8.2 [26.9] |

##### Frequency 3

|                                 |              |
|---------------------------------|--------------|
| Frequency, MHz                  | 1000         |
| Attenuation, dB/100ft [dB/100m] | 13.4 [43.96] |

##### Frequency 4

|                                 |              |
|---------------------------------|--------------|
| Frequency, GHz                  | 3            |
| Attenuation, dB/100ft [dB/100m] | 24.8 [81.36] |

##### Frequency 5

|                                 |               |
|---------------------------------|---------------|
| Frequency, GHz                  | 5             |
| Attenuation, dB/100ft [dB/100m] | 33.5 [109.91] |

##### Frequency 6

|                                 |               |
|---------------------------------|---------------|
| Frequency, GHz                  | 11            |
| Attenuation, dB/100ft [dB/100m] | 54.1 [177.49] |

#### Mechanical Specifications

##### Temperature

|                        |            |
|------------------------|------------|
| Operating Range, deg C | -20 to +80 |
|------------------------|------------|

Click the following link (or enter part number in "SEARCH" on website) to obtain additional part information including price, inventory and certifications: [Flexible RG223 Coax Cable Double Shielded with Black PVC Jacket RG223/U](#)



## Flexible RG223 Coax Cable Double Shielded with Black PVC Jacket

### TECHNICAL DATA SHEET

RG223/U

**Inner Conductor**

|                   |              |
|-------------------|--------------|
| Number of Strands | 1            |
| Material          | Copper       |
| Plating           | Silver       |
| Diameter, in [mm] | 0.035 [0.89] |

**Dielectric:**

|                   |              |
|-------------------|--------------|
| Type              | PE           |
| Diameter, in [mm] | 0.116 [2.95] |

**Shield:**

|                   |                            |
|-------------------|----------------------------|
| Number of         | 2                          |
| Material 1        | Silver Plated Copper Braid |
| Material 2        | Silver Plated Copper Braid |
| Diameter, in [mm] | 0.156 [3.96]               |

**Jacket:**

|                                       |              |
|---------------------------------------|--------------|
| Material                              | PVC          |
| Diameter, in [mm]                     | 0.21 [5.33]  |
| Color                                 | Black        |
| One Time Minimum Bend Radius, in [mm] | 0.21 [5.33]  |
| Repeated Minimum Bend Radius, in [mm] | 1 [25.4]     |
| Weight, lbs/ft [Kg/m]                 | 0.038 [0.06] |

**Compliance Certifications** (visit [www.Pasternack.com](http://www.Pasternack.com) for current document)

|                 |            |
|-----------------|------------|
| RoHS Compliant  |            |
| REACH Compliant | 06/18/2012 |

**Plotted and Other Data**

- Notes:
- Values at +25 °C, sea level

Flexible RG223 Coax Cable Double Shielded with Black PVC Jacket from Pasternack Enterprises has same day shipment for domestic and International orders. Our RF, microwave and millimeter wave products maintain a 99% availability and are part of the broadest selection in the industry.

Click the following link (or enter part number in "SEARCH" on website) to obtain additional part information including price, inventory and certifications: [Flexible RG223 Coax Cable Double Shielded with Black PVC Jacket RG223/U](#)

URL: <http://www.pasternack.com/flexible-0.216-rg223-50-ohm-coax-cable-pvc-jacket-rg223-u-p.aspx>

The information contained in this document is accurate to the best of our knowledge and representative of the part described herein. It may be necessary to make modifications to the part and/or the documentation of the part, in order to implement improvements. Pasternack reserves the right to make such changes as required. Unless otherwise stated, all specifications are nominal. Pasternack does not make any representation or warranty regarding the suitability of the part described herein for any particular purpose, and Pasternack does not assume any liability arising out of the use of any part or documentation.

# RG223/U CAD Drawing

Flexible RG223 Coax Cable Double Shielded with Black PVC Jacket



NOTES:  
1. UNLESS OTHERWISE SPECIFIED ALL DIMENSIONS ARE NOMINAL.  
2. ALL SPECIFICATIONS ARE SUBJECT TO CHANGE WITHOUT NOTICE AT ANY TIME.  
3. DIMENSIONS ARE IN INCHES [mm].

DWG TITLE  
**RG223/U**

FSCM NO. 53919

2233

SIZE A

SCALE N/A

CAD FILE 060508-B

**PE PASTERNAK®**  
Pasternack Enterprises, Inc.  
P.O. Box 16759 | Irvine | CA | 92623  
Phone: (949) 261-1920 | Fax: (949) 261-7451  
Website: [www.pasternack.com](http://www.pasternack.com) | E-Mail: [sales@pasternack.com](mailto:sales@pasternack.com)