



Reverse Polarity SMA Male Connector Crimp/
Solder Attachment for RG188-DS, RG316-DS

TECHNICAL DATA SHEET

PE45183

Configuration

| | |
|------------------------------------|---------------------------|
| Connector | SMA Male Reverse Polarity |
| Connector Interface Type | RG188-DS, RG316-DS |
| Attachment Method (Shield/Contact) | Crimp/Solder |
| Body Style | Straight |

Electrical Specifications

| | |
|-----------|---------|
| Impedance | 50 Ohms |
|-----------|---------|

Mechanical Specifications

Size

| | |
|------------|--------------------|
| Length | 0.94 in [23.88 mm] |
| Width/Dia. | 0.312 in [7.92 mm] |
| Weight | 0.006 lbs [2.72 g] |

Connector

| | |
|-----------------------------------|---------------------------|
| Type | SMA Male Reverse Polarity |
| Contact Material and Plating | Gold |
| Coupling Nut Material and Plating | Brass, Nickel |
| Hex Size | 5/16 in |
| Torque | 5 in-lbs [0.57 Nm] |
| Body Material and Plating | Brass, Nickel |
| Dielectric Type | PTFE |

Compliance Certifications (visit www.Pasternack.com for current document)

| | |
|-----------------|------------|
| RoHS Compliant | |
| REACH Compliant | 06/18/2012 |

Click the following link (or enter part number in "SEARCH" on website) to obtain additional part information including price, inventory and certifications: [Reverse Polarity SMA Male Connector Crimp/Solder Attachment for RG188-DS, RG316-DS PE45183](#)



Reverse Polarity SMA Male Connector Crimp/ Solder Attachment for RG188-DS, RG316-DS

TECHNICAL DATA SHEET

PE45183

Plotted and Other Data

Notes:

- Values at +25 °C, sea level

Reverse Polarity SMA Male Connector Crimp/Solder Attachment for RG188-DS, RG316-DS from Pasternack Enterprises has same day shipment for domestic and International orders. Our RF, microwave and millimeter wave products maintain a 99% availability and are part of the broadest selection in the industry.

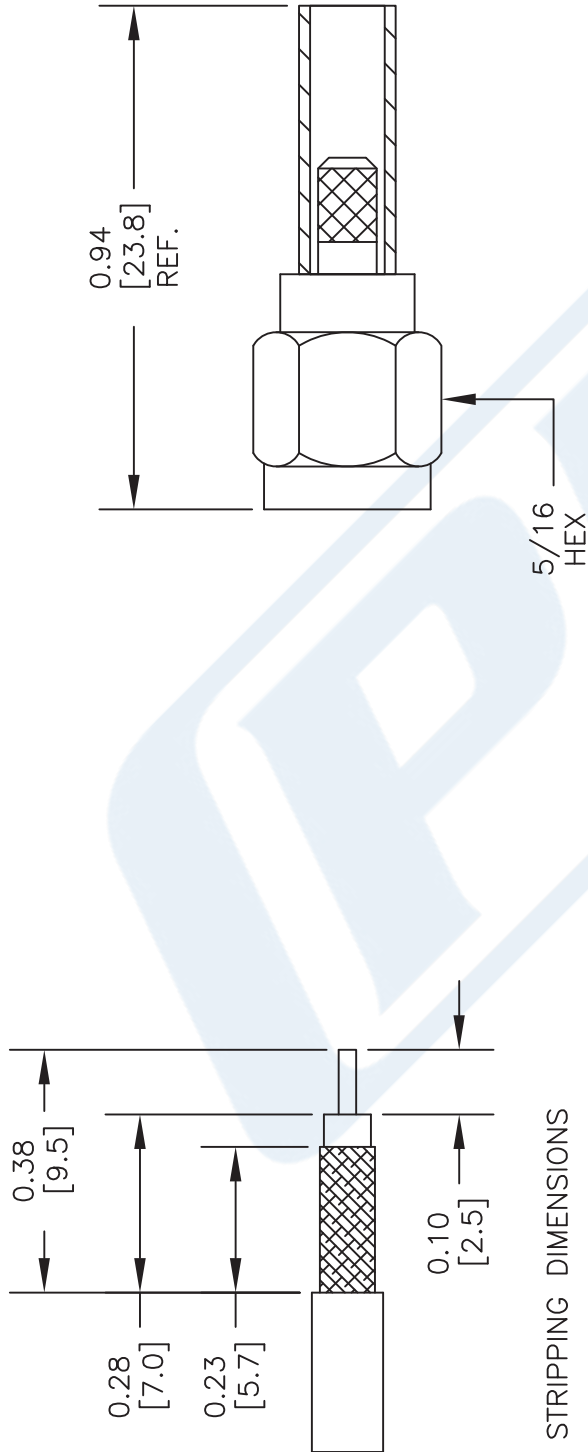
Click the following link (or enter part number in "SEARCH" on website) to obtain additional part information including price, inventory and certifications: [Reverse Polarity SMA Male Connector Crimp/Solder Attachment for RG188-DS, RG316-DS PE45183](http://www.pasternack.com/sma-male-reverse-polarity-rg188-ds-rg316-ds-connector-pe45183-p.aspx)

URL: <http://www.pasternack.com/sma-male-reverse-polarity-rg188-ds-rg316-ds-connector-pe45183-p.aspx>

The information contained in this document is accurate to the best of our knowledge and representative of the part described herein. It may be necessary to make modifications to the part and/or the documentation of the part, in order to implement improvements. Pasternack reserves the right to make such changes as required. Unless otherwise stated, all specifications are nominal. Pasternack does not make any representation or warranty regarding the suitability of the part described herein for any particular purpose, and Pasternack does not assume any liability arising out of the use of any part or documentation.

PE45183 CAD Drawing

Reverse Polarity SMA Male Connector Crimp/Solder
Attachment for RG188-DS, RG316-DS



STRIPPING DIMENSIONS

CRIMP SIZE REQUIRED

CONTACT: SOLDER
FERRULE: .128" HEX CRIMP TOOL

DWG TITLE

PE45183

- NOTES:
1. UNLESS OTHERWISE SPECIFIED ALL DIMENSIONS ARE NOMINAL.
 2. ALL SPECIFICATIONS ARE SUBJECT TO CHANGE WITHOUT NOTICE AT ANY TIME.
 3. DIMENSIONS ARE IN INCHES [mm].
 4. FITS MIL-C-17 AND EQUIVALENT CABLES.

FSCM NO. 53919

CAD FILE

031715

SCALE N/A

SIZE A

2233



Pasternack Enterprises, Inc.
P.O. Box 16759 | Irvine | CA | 92623
Phone: (949) 261-1920 | Fax: (949) 261-7451
Website: www.pasternack.com | E-Mail: sales@pasternack.com



Reverse Polarity SMA Female Connector Crimp/
Solder Attachment for RG188-DS, RG316-DS

TECHNICAL DATA SHEET

PE45186

Configuration

| | |
|------------------------------------|-----------------------------|
| Connector | SMA Female Reverse Polarity |
| Connector Interface Type | RG188-DS, RG316-DS |
| Attachment Method (Shield/Contact) | Crimp/Solder |
| Body Style | Straight |

Electrical Specifications

| | |
|-----------|---------|
| Impedance | 50 Ohms |
|-----------|---------|

Mechanical Specifications

Size

| | |
|------------|--------------------|
| Length | 0.91 in [23.11 mm] |
| Width/Dia. | 0.312 in [7.92 mm] |
| Weight | 0.006 lbs [2.72 g] |

Connector

| | |
|------------------------------|-----------------------------|
| Type | SMA Female Reverse Polarity |
| Contact Material and Plating | Gold |
| Body Material and Plating | Brass, Nickel |
| Dielectric Type | PTFE |

Compliance Certifications (visit www.Pasternack.com for current document)

| | |
|-----------------|------------|
| RoHS Compliant | |
| REACH Compliant | 06/18/2012 |

Click the following link (or enter part number in "SEARCH" on website) to obtain additional part information including price, inventory and certifications: [Reverse Polarity SMA Female Connector Crimp/Solder Attachment for RG188-DS, RG316-DS PE45186](#)



Reverse Polarity SMA Female Connector Crimp/ Solder Attachment for RG188-DS, RG316-DS

TECHNICAL DATA SHEET

PE45186

Plotted and Other Data

Notes:

- Values at +25 °C, sea level

Reverse Polarity SMA Female Connector Crimp/Solder Attachment for RG188-DS, RG316-DS from Pasternack Enterprises has same day shipment for domestic and International orders. Our RF, microwave and millimeter wave products maintain a 99% availability and are part of the broadest selection in the industry.

Click the following link (or enter part number in "SEARCH" on website) to obtain additional part information including price, inventory and certifications: [Reverse Polarity SMA Female Connector Crimp/Solder Attachment for RG188-DS, RG316-DS PE45186](http://www.pasternack.com/sma-female-reverse-polarity-rg188-ds-rg316-ds-connector-pe45186-p.aspx)

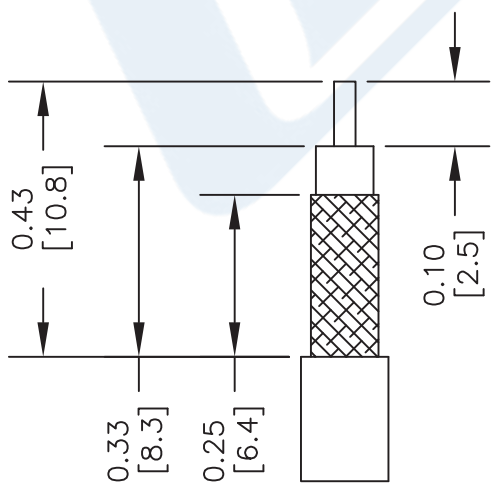
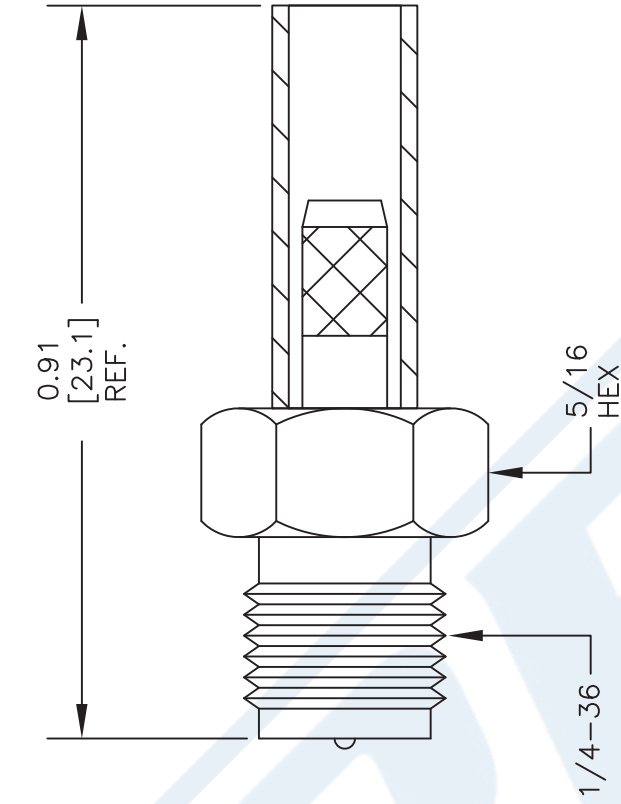
URL: <http://www.pasternack.com/sma-female-reverse-polarity-rg188-ds-rg316-ds-connector-pe45186-p.aspx>

The information contained in this document is accurate to the best of our knowledge and representative of the part described herein. It may be necessary to make modifications to the part and/or the documentation of the part, in order to implement improvements. Pasternack reserves the right to make such changes as required. Unless otherwise stated, all specifications are nominal. Pasternack does not make any representation or warranty regarding the suitability of the part described herein for any particular purpose, and Pasternack does not assume any liability arising out of the use of any part or documentation.

PE45186 CAD Drawing

Reverse Polarity SMA Female Connector Crimp/Solder

Attachment for RG188-DS, RG316-DS



STRIPPING DIMENSIONS

CRIMP SIZE REQUIRED

CONTACT: SOLDER
 FERRULE: .128" HEX CRIMP TOOL

NOTES:
 1. UNLESS OTHERWISE SPECIFIED ALL DIMENSIONS ARE NOMINAL.
 2. ALL SPECIFICATIONS ARE SUBJECT TO CHANGE WITHOUT NOTICE AT ANY TIME.
 3. DIMENSIONS ARE IN INCHES [mm].
 4. FITS MIL-C-17 AND EQUIVALENT CABLES.

DWG TITLE
PE45186

FSCM NO. 53919

(PE) PASTERNAK®
 THE ENGINEER'S RF SOURCE
 Pasternack Enterprises, Inc.
 P.O. Box 16759 | Irvine | CA | 92623
 Phone: (949) 261-1920 | Fax: (949) 261-7451
 Website: www.pasternack.com | E-Mail: sales@pasternack.com

CAD FILE 031715 SCALE N/A SIZE A 2233

Flexible RG188 Coax Cable Double Shielded with White PTFE Jacket

RF Cables Technical Data Sheet

RG188-DS

Configuration

- Flexible Cable
- 2 Shield(s)

Electrical Specifications

| Description | Minimum | Typical | Maximum | Units |
|--------------------------------------|---------|-------------|---------|--------------|
| Frequency Range | DC | | 10 | GHz |
| Impedance | | 50 | | Ohms |
| Dielectric Withstanding Voltage (AC) | | | 2,000 | Vrms |
| Nominal Capacitance | | 32 [104.99] | | pF/ft [pF/m] |

Performance by Frequency Band

| Description | F1 | F2 | F3 | F4 | F5 | Units |
|-----------------------|-------|-------|-------|--------|--------|----------|
| Frequency | 0.01 | 0.1 | 1 | 5 | 10 | GHz |
| Attenuation, Typ | 3.8 | 11.5 | 30 | 79 | 133 | dB/100ft |
| | 12.47 | 37.73 | 98.43 | 259.19 | 436.35 | dB/100m |
| Input Power (CW), Max | 1,250 | 450 | 160 | 57 | | Watts |

Mechanical Specifications

| | |
|----------|--------------------------|
| Diameter | 0.118 in [3 mm] |
| Weight | 0.016 lbs/ft [0.02 Kg/m] |

Construction Specifications

| Description | Material and Plating | Diameter |
|-----------------|--|--------------------|
| Inner Conductor | Copper Clad Steel, Silver, 7 Strands | 0.02 in [0.51 mm] |
| Conductor Type | Stranded | |
| Dielectric | PTFE | 0.06 in [1.52 mm] |
| First Shield | Silver Plated Copper Braid 90% coverage | 0.078 in [1.98 mm] |

Click the following link (or enter part number in "SEARCH" on website) to obtain additional part information including price, inventory and certifications: [Flexible RG188 Coax Cable Double Shielded with White PTFE Jacket RG188-DS](#)

Flexible RG188 Coax Cable Double
Shielded with White PTFE Jacket

RF Cables Technical Data Sheet

RG188-DS

| | | |
|---------------|--|--------------------|
| Second Shield | Silver Plated Copper Braid 90% coverage | 0.096 in [2.44 mm] |
| Jacket | PTFE, White | 0.118 in [3 mm] |

Environmental Specifications

Temperature

Operating Range

-55 to +200 deg C

Compliance Certifications (see [product page](#) for current document)

Plotted and Other Data

Notes:

Flexible RG188 Coax Cable Double Shielded with White PTFE Jacket from Pasternack Enterprises has same day shipment for domestic and International orders. Our RF, microwave and millimeter wave products maintain a 99.4% availability and are part of the broadest selection in the industry.

Click the following link (or enter part number in "SEARCH" on website) to obtain additional part information including price, inventory and certifications: [Flexible RG188 Coax Cable Double Shielded with White PTFE Jacket RG188-DS](#)

URL: <https://www.pasternack.com/flexible-0.122-rg188-ds-50-ohm-coax-cable-ptfe-jacket-rg188-ds-p.aspx>

The information contained in this document is accurate to the best of our knowledge and representative of the part described herein. It may be necessary to make modifications to the part and/or the documentation of the part, in order to implement improvements. Pasternack reserves the right to make such changes as required. Unless otherwise stated, all specifications are nominal. Pasternack does not make any representation or warranty regarding the suitability of the part described herein for any particular purpose, and Pasternack does not assume any liability arising out of the use of any part or documentation.

RG188-DS CAD Drawing

Flexible RG188 Coax Cable Double Shielded with White PTFE Jacket



DWG TITLE

RG188-DS

NOTES:
1. UNLESS OTHERWISE SPECIFIED ALL DIMENSIONS ARE NOMINAL.
2. ALL SPECIFICATIONS ARE SUBJECT TO CHANGE WITHOUT NOTICE AT ANY TIME.
3. DIMENSIONS ARE IN INCHES [mm].

CAGE CODE 53919

CAD FILE 062817

SCALE N/A

SIZE A

2233



Pasternack Enterprises, Inc.
P.O. Box 16759 | Irvine | CA | 92623
Phone: (949) 261-1920 | Fax: (949) 261-7451
Website: www.pasternack.com | E-Mail: sales@pasternack.com