



N Male Right Angle Connector Crimp/Solder Attachment for RG174, RG316, RG188, 0.100 inch, PE-B100, PE-C100, LMR-100

## RF Connectors Technical Data Sheet

PE44675

### Configuration

- N Male Connector
- 50 Ohms
- Right Angle Body Geometry
- RG174, RG316, RG188, 0.100 inch, PE-B100, PE-C100, LMR-100 Interface Type
- Crimp/Solder Attachment

### Features

- Max. Operating Frequency 11 GHz
- Excellent VSWR of 1.2:1
- Gold Plated Brass Contact

### Applications

- General Purpose Test
- Custom Cable Assemblies

### Description

Pasternack's PE44675 type N male right angle connector with crimp/solder attachment for RG174, RG316, RG188, 0.100 inch, PE-B100, PE-C100 and LMR-100 is part of our full line of RF components available for same-day shipping. Our type N male connector operates up to a maximum frequency of 11 GHz and offers excellent VSWR of 1.2:1. Its right angle body geometry allows for easier connections in tight spaces.

Our type N male right angle connector PE44675 datasheet specifications and drawing with dimensions are shown below in this PDF. Pasternack's broad catalog of RF, microwave and millimeter wave connectors allows designers to configure and customize their signal connections however they like. Whether the need is to provide an I/O for a board design, or simply create a custom cable assembly configuration, Pasternack has the right connector for the job. Pasternack can also expertly build your custom cable assemblies for you and ship same-day.

### Electrical Specifications

| Description                          | Minimum | Typical | Maximum | Units |
|--------------------------------------|---------|---------|---------|-------|
| Frequency Range                      | DC      |         | 11      | GHz   |
| VSWR                                 |         |         | 1.2:1   |       |
| Operating Voltage (AC)               |         |         | 830     | Vrms  |
| Dielectric Withstanding Voltage (AC) |         |         | 2,500   | Vrms  |

### Mechanical Specifications

#### Size

|               |                     |
|---------------|---------------------|
| Length        | 1.24 in [31.5 mm]   |
| Width/Dia.    | 0.8 in [20.32 mm]   |
| Height        | 1.38 in [35.05 mm]  |
| Weight        | 0.106 lbs [48.08 g] |
| Mating Cycles | 500 Cycles          |

Click the following link (or enter part number in "SEARCH" on website) to obtain additional part information including price, inventory and certifications: [N Male Right Angle Connector Crimp/Solder Attachment for RG174, RG316, RG188, 0.100 inch, PE-B100, PE-C100, LMR-100 PE44675](#)



N Male Right Angle Connector Crimp/Solder Attachment for RG174, RG316, RG188, 0.100 inch, PE-B100, PE-C100, LMR-100

## RF Connectors Technical Data Sheet

PE44675

### Material Specifications

| Description  | Material | Plating   |
|--------------|----------|-----------|
| Contact      | Brass    | Gold      |
| Insulation   | PTFE     |           |
| Body         | Brass    | Tri-Metal |
| Coupling Nut | Brass    | Tri-Metal |

### Environmental Specifications

#### Temperature

Operating Range -65 to +165 deg C

**Compliance Certifications** (see [product page](#) for current document)

### Plotted and Other Data

Notes:

N Male Right Angle Connector Crimp/Solder Attachment for RG174, RG316, RG188, 0.100 inch, PE-B100, PE-C100, LMR-100 from Pasternack Enterprises has same day shipment for domestic and International orders. Our RF, microwave and millimeter wave products maintain a 99% availability and are part of the broadest selection in the industry.

Click the following link (or enter part number in "SEARCH" on website) to obtain additional part information including price, inventory and certifications: [N Male Right Angle Connector Crimp/Solder Attachment for RG174, RG316, RG188, 0.100 inch, PE-B100, PE-C100, LMR-100 PE44675](#)

URL: <https://www.pasternack.com/n-male-standard-pe-c100-rg174-rg316-0.100-connector-pe44675-p.aspx>

The information contained in this document is accurate to the best of our knowledge and representative of the part described herein. It may be necessary to make modifications to the part and/or the documentation of the part, in order to implement improvements. Pasternack reserves the right to make such changes as required. Unless otherwise stated, all specifications are nominal. Pasternack does not make any representation or warranty regarding the suitability of the part described herein for any particular purpose, and Pasternack does not assume any liability arising out of the use of any part or documentation.

# PE44675 CAD Drawing

N Male Right Angle Connector Crimp/Solder Attachment for RG174,  
RG316, RG188, 0.100 inch, PE-B100, PE-C100, LMR-100



DWG TITLE

**PE44675**

NOTES:  
1. UNLESS OTHERWISE SPECIFIED ALL DIMENSIONS ARE NOMINAL.  
2. ALL SPECIFICATIONS ARE SUBJECT TO CHANGE WITHOUT NOTICE AT ANY TIME.  
3. DIMENSIONS ARE IN INCHES [mm].  
4. FITS MIL-C-17 AND EQUIVALENT CABLES.

FSCM NO. 53919

CAD FILE 072413

SCALE N/A

SIZE A

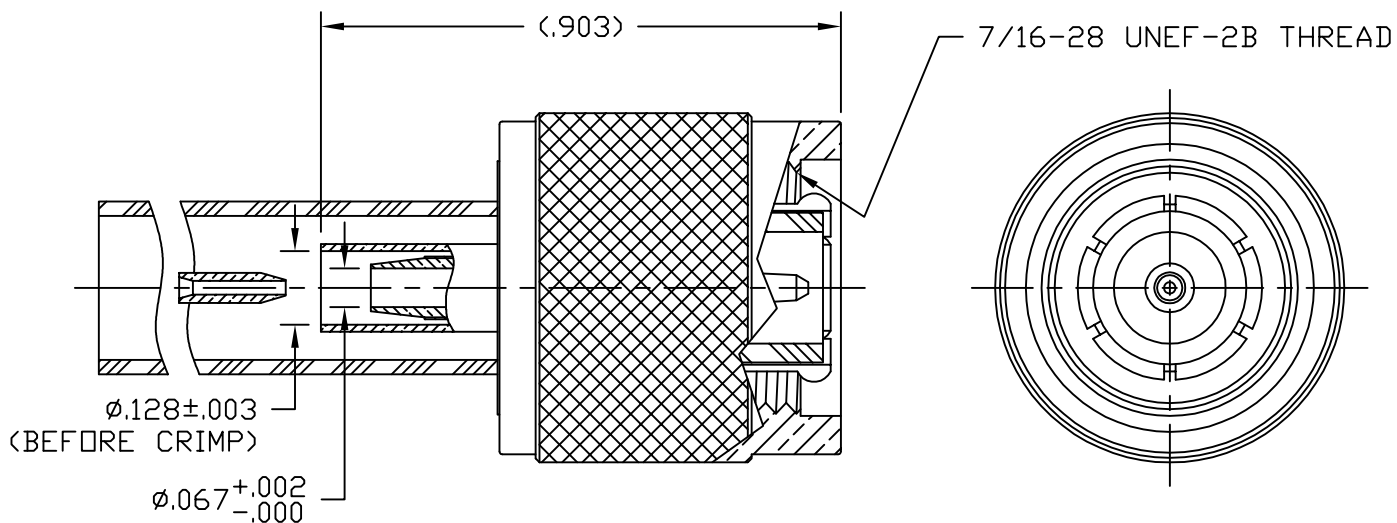
2233

**PE PASTERNAK®**

Pasternack Enterprises, Inc.  
P.O. Box 16759 | Irvine | CA | 92623  
Phone: (949) 261-1920 | Fax: (949) 261-7451  
Website: www.pasternack.com | E-Mail: sales@pasternack.com

**NOTICE OF PROPRIETARY RIGHTS** THIS DOCUMENT CONTAINS CONFIDENTIAL TECHNICAL DATA, INCLUDING TRADE SECRETS, PROPRIETARY TO TIMES MICROWAVE SYSTEMS. DISCLOSURE OF THIS DATA IS EXPRESSLY CONDITIONED UPON YOUR ASSENT THAT ITS USE IS LIMITED TO USE WITHIN YOUR COMPANY ONLY. ANY OTHER USE IS STRICTLY PROHIBITED WITHOUT THE PRIOR WRITTEN CONSENT OF TIMES MICROWAVE SYSTEMS.

| SYM | REVISION DESCRIPTION    | DFTM     | DATE    | APPD     | DATE    |
|-----|-------------------------|----------|---------|----------|---------|
| -   | RELEASED FOR PRODUCTION | J. C. L. | 8/20/03 | J. C. L. | 8/20/03 |
| A   | CHANGED PER CDC #36704  | D. J. H. | 1/14/13 | J. D. B. | 1/15/13 |



**NOTES:**

- ASSEMBLED CONNECTOR INTERFACE IS DESIGNED IN ACCORDANCE WITH MIL-STD-348.
- MATERIAL: BODY & NUT - BRASS PER ASTM B16.  
CONTACT FINGERS & CONTACTS - BERYLLIUM COPPER PER ASTM B196.  
INSULATOR - TEFLON PER ASTM D1710.  
CRIMP SLEEVE - D.H.P. COPPER CDA ALLOY 122.  
RETAINING RING - PHOSPHOR BRONZE PER QQ-B-750.  
GASKET - SILICONE RUBBER PER ZZ-R-765.  
SHRINK SLEEVE - SHRINKABLE POLYOLEFIN PER MIL-I-23053/5.
- FINISHES: RETAINING RING - NOT PLATED.  
CONTACTS - GOLD PLATE PER MIL-G-45204.  
ALL OTHER METAL PARTS - SILVER PLATE PER QQ-S-365.
- CONTACT PIN IS SOLDERED.
- CRIMP THE FERRULE TO .128" HEX.

|                      |   |                |  |
|----------------------|---|----------------|--|
| MATERIAL:            | UNLESS OTHERWISE SPECIFIED<br>ALL DIMENSIONS ARE IN INCHES<br>MACHINED SURFACES FINISH N/A RMS MAX.<br>REMOVE ALL BURRS .005 MAX. BREAK<br>MACHINE CORNERS .005 MAX. FILLET R.<br>TOLERANCES ON DECIMALS<br>. XX ± .03 . XXX ± .005<br>ANGLES ± 1° FRACTIONS ± 1/32 | DFTM. J. C. L. | TIMES MICROWAVE SYSTEMS                          |
|                      |   | DATE 8/20/03   |  |
| USED ON: -           |   | CHKD. J. C. L. | <b>TC-100-TM</b><br>TNC MALE FOR<br>LMR100 CABLE |
|                      |   | DATE 8/20/03   |  |
| SCALE: N/A           | DWG. SIZE A   | APPD. J. C. L. | SHEET 1 of 1                                     |
|                      |   | DATE 8/20/03   |  |
| DO NOT SCALE DRAWING | CODE IDENT 68999  | DATE 8/20/03   | REV A  |

## Flexible RG188 Coax Cable Single Shielded with White PTFE Jacket

### TECHNICAL DATA SHEET

RG188A/U

Flexible RG188 Coax Cable Single Shielded with White PTFE Jacket

#### Configuration

|                                      |                            |
|--------------------------------------|----------------------------|
| Inner Conductor Material and Plating | Copper Clad Steel, Silver  |
| Dielectric Type                      | PTFE                       |
| Shield Materials                     | Silver Plated Copper Braid |
| Jacket Material and Color            | PTFE, White                |

#### Electrical Specifications

|                                       |       |
|---------------------------------------|-------|
| Impedance, Ohms                       | 50    |
| Dielectric Withstanding Voltage, Vrms | 2,000 |

#### Electrical Specifications by Frequency

##### Frequency 1

|                                 |            |
|---------------------------------|------------|
| Frequency, MHz                  | 400        |
| Attenuation, dB/100ft [dB/100m] | 20 [65.62] |

#### Mechanical Specifications

##### Temperature

##### Inner Conductor

|                   |                   |
|-------------------|-------------------|
| Number of Strands | 7                 |
| Material          | Copper Clad Steel |
| Plating           | Silver            |
| Diameter, in [mm] | 0.02 [0.51]       |

##### Dielectric:

|                   |             |
|-------------------|-------------|
| Type              | PTFE        |
| Diameter, in [mm] | 0.06 [1.52] |

##### Shield:

|                   |                            |
|-------------------|----------------------------|
| Number of         | 1                          |
| Material 1        | Silver Plated Copper Braid |
| Diameter, in [mm] | 0.081 [2.06]               |

##### Jacket:

|                       |              |
|-----------------------|--------------|
| Material              | PTFE         |
| Diameter, in [mm]     | 0.11 [2.79]  |
| Color                 | White        |
| Weight, lbs/ft [Kg/m] | 0.011 [0.02] |

Click the following link (or enter part number in "SEARCH" on website) to obtain additional part information including price, inventory and certifications: [Flexible RG188 Coax Cable Single Shielded with White PTFE Jacket RG188A/U](#)

The information contained in this document is accurate to the best of our knowledge and representative of the part described herein. It may be necessary to make modifications to the part and/or the documentation of the part, in order to implement improvements. Pasternack reserves the right to make such changes as required. Unless otherwise stated, all specifications are nominal.

Flexible RG188 Coax Cable Single  
Shielded with White PTFE Jacket

TECHNICAL DATA SHEET

RG188A/U

**Compliance Certifications** (visit [www.Pasternack.com](http://www.Pasternack.com) for current document)

RoHS Compliant

Yes

**Plotted and Other Data**

Notes:

Values at 25 °C, sea level

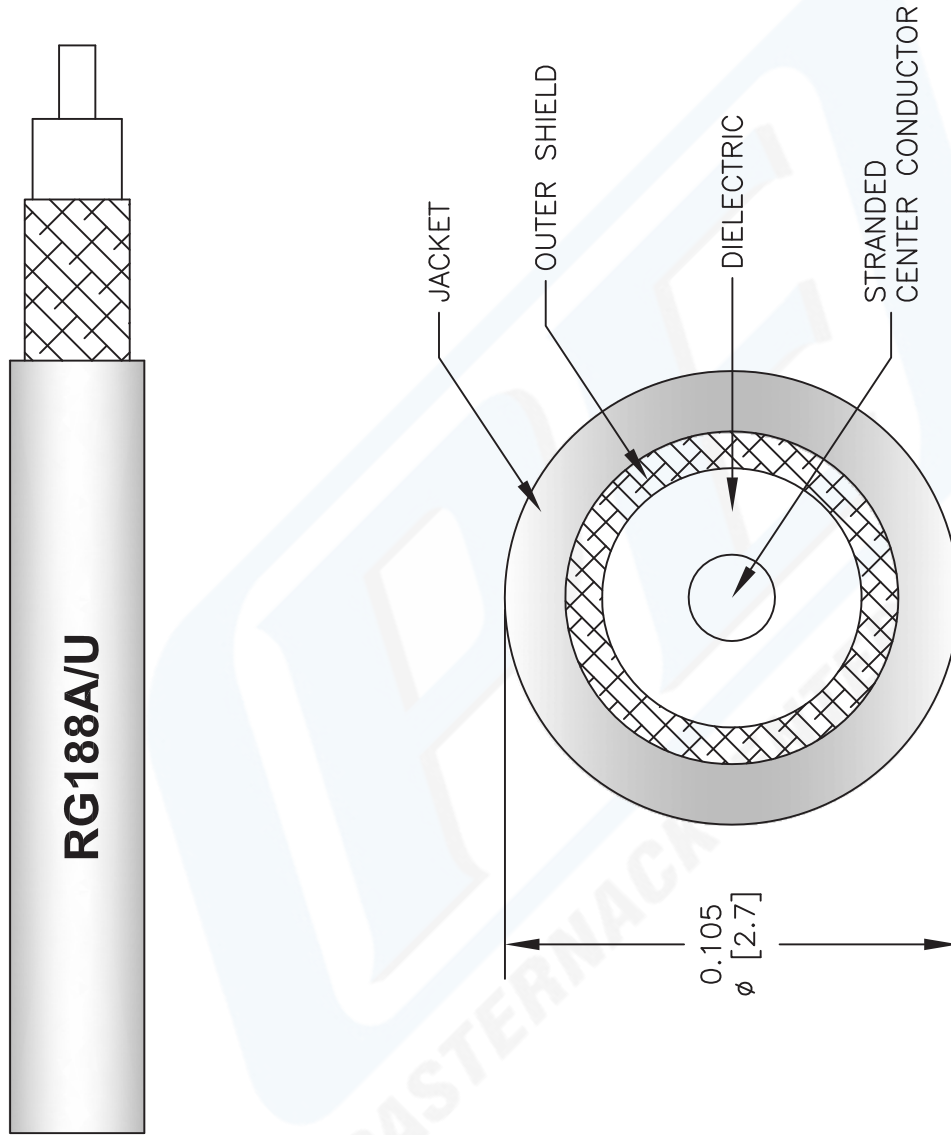
URL: <http://www.pasternack.com/flexible-0.110-rg188-50-ohm-coax-cable-ptfe-jacket-rg188a-u-p.aspx>

Flexible RG188 Coax Cable Single Shielded with White PTFE Jacket from Pasternack Enterprises has same day shipment for domestic and International orders. Our RF, microwave and fiber optic products maintain a 99% availability and are part of the broadest selection in the industry.

The information contained in this document is accurate to the best of our knowledge and representative of the part described herein. It may be necessary to make modifications to the part and/or the documentation of the part, in order to implement improvements. Pasternack reserves the right to make such changes as required. Unless otherwise stated, all specifications are nominal.

# RG188A/U CAD Drawing

Flexible RG188 Coax Cable Single Shielded with White PTFE Jacket



NOTES:  
1. UNLESS OTHERWISE SPECIFIED ALL DIMENSIONS ARE NOMINAL.  
2. ALL SPECIFICATIONS ARE SUBJECT TO CHANGE WITHOUT NOTICE AT ANY TIME.  
3. DIMENSIONS ARE IN INCHES [mm].

DWG TITLE

**RG188A/U**

FSCM NO. 53919

2233

SIZE A

SCALE N/A

CAD FILE 081512-C



Pasternack Enterprises, Inc.  
P.O. Box 16759 | Irvine | CA | 92623  
Phone: (949) 261-1920 | Fax: (949) 261-7451  
Website: [www.pasternack.com](http://www.pasternack.com) | E-Mail: [sales@pasternack.com](mailto:sales@pasternack.com)