



75 Ohm BNC Male Connector Crimp/Solder Attachment for PE-B150, RG180, RG195

RF Connectors Technical Data Sheet

PE4633

Configuration

- BNC Male Connector
- 75 Ohms
- Straight Body Geometry
- PE-B150, RG180, RG195 Interface Type
- Crimp/Solder Attachment

Features

- Max. Operating Frequency 1,000 MHz
- Gold Plated Brass Contact
- 30 µin minimum contact plating

Applications

- General Purpose Test
- Custom Cable Assemblies
- CATV

Description

Pasternack's PE4633 75 ohm BNC male connector with crimp/solder attachment for PE-B150, RG180 and RG195 is part of our full line of RF components available for same-day shipping. Our BNC male connector operates up to a maximum frequency of 1,000 MHz.

Our 75 ohm BNC male connector PE4633 datasheet specifications and drawing with dimensions are shown below in this PDF. Pasternack's broad catalog of RF, microwave and millimeter wave connectors allows designers to configure and customize their signal connections however they like. Whether the need is to provide an I/O for a board design, or simply create a custom cable assembly configuration, Pasternack has the right connector for the job. Pasternack can also expertly build your custom cable assemblies for you and ship same-day.

Electrical Specifications

Description	Minimum	Typical	Maximum	Units
Frequency Range	DC		1,000	MHz
Operating Voltage (AC)			500	Vrms
Dielectric Withstanding Voltage (AC)			1,500	Vrms

Mechanical Specifications

Size

Length	0.929 in [23.6 mm]
Width/Dia.	0.571 in [14.50 mm]
Weight	0.026 lbs [11.79 g]

Click the following link (or enter part number in "SEARCH" on website) to obtain additional part information including price, inventory and certifications: [75 Ohm BNC Male Connector Crimp/Solder Attachment for PE-B150, RG180, RG195 PE4633](#)



75 Ohm BNC Male Connector Crimp/Solder Attachment for PE-B150, RG180, RG195

RF Connectors Technical Data Sheet

PE4633

Material Specifications

Description	Material	Plating
Contact	Brass	Gold 30 µin minimum
Insulation	PTFE	
Body	Brass	Nickel 100 µin minimum
Coupling Nut	Brass	Nickel 100 µin minimum

Environmental Specifications

Temperature

Operating Range

-65 to +165 deg C

Compliance Certifications (see [product page](#) for current document)

Plotted and Other Data

Notes:

75 Ohm BNC Male Connector Crimp/Solder Attachment for PE-B150, RG180, RG195 from Pasternack Enterprises has same day shipment for domestic and International orders. Our RF, microwave and millimeter wave products maintain a 99% availability and are part of the broadest selection in the industry.

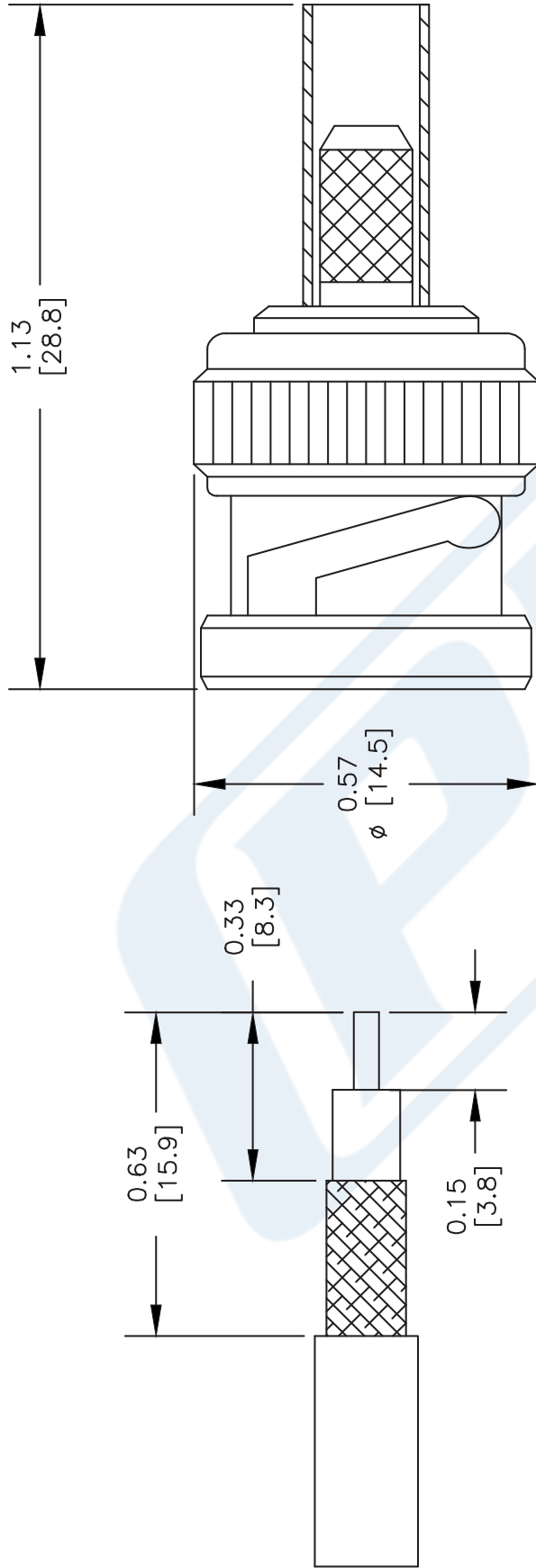
Click the following link (or enter part number in "SEARCH" on website) to obtain additional part information including price, inventory and certifications: [75 Ohm BNC Male Connector Crimp/Solder Attachment for PE-B150, RG180, RG195 PE4633](#)

URL: <https://www.pasternack.com/bnc-male-standard-pe-b150-connector-pe4633-p.aspx>

The information contained in this document is accurate to the best of our knowledge and representative of the part described herein. It may be necessary to make modifications to the part and/or the documentation of the part, in order to implement improvements. Pasternack reserves the right to make such changes as required. Unless otherwise stated, all specifications are nominal. Pasternack does not make any representation or warranty regarding the suitability of the part described herein for any particular purpose, and Pasternack does not assume any liability arising out of the use of any part or documentation.

PE4633 CAD Drawing

75 Ohm BNC Male Connector Crimp/Solder Attachment for PE-B150, RG180, RG195



STRIPPING DIMENSIONS

CRIMP SIZE REQUIRED

CONTACT: .068" HEX CRIMP TOOL
 FERRULE: .178" HEX CRIMP TOOL

NOTES:
 1. UNLESS OTHERWISE SPECIFIED ALL DIMENSIONS ARE NOMINAL.
 2. ALL SPECIFICATIONS ARE SUBJECT TO CHANGE WITHOUT NOTICE AT ANY TIME.
 3. DIMENSIONS ARE IN INCHES [mm].
 4. FITS MIL-C-17 AND EQUIVALENT CABLES.

DWG TITLE		CAD FILE		SCALE		SIZE	
PE4633		021513-A		N/A		A	
REV. A	FSCM NO. 53919					147	

PE PASTERNAK®
 Pasternack Enterprises, Inc.
 P.O. Box 16759 | Irvine | CA | 92623
Phone: (949) 261-1920 | **Fax:** (949) 261-7451
Website: www.pasternack.com | **E-Mail:** sales@pasternack.com



75 Ohm SMB Plug Right Angle Connector Crimp/ Solder Attachment for PE-B150, RG180, RG195

RF Connectors Technical Data Sheet

PE4161

Configuration

- SMB Plug Connector
- MIL-STD-348
- 75 Ohms
- Right Angle Body Geometry
- PE-B150, RG180, RG195 Interface Type
- Crimp/Solder Attachment

Features

- Gold Plated Contact
- Contact plating according to MIL-G-45204

Applications

- General Purpose Test
- Custom Cable Assemblies

Description

Pasternack's PE4161 75 ohm SMB plug right angle connector with crimp/solder attachment for PE-B150, RG180 and RG195 is part of our full line of RF components available for same-day shipping. Its right angle body geometry allows for easier connections in tight spaces.

Our 75 ohm SMB plug right angle connector PE4161 datasheet specifications and drawing with dimensions are shown below in this PDF. Pasternack's broad catalog of RF, microwave and millimeter wave connectors allows designers to configure and customize their signal connections however they like. Whether the need is to provide an I/O for a board design, or simply create a custom cable assembly configuration, Pasternack has the right connector for the job. Pasternack can also expertly build your custom cable assemblies for you and ship same-day.

Mechanical Specifications

Size

Length	0.69 in [17.53 mm]
Width/Dia.	0.38 in [9.65 mm]
Height	0.78 in [19.81 mm]
Weight	0.013 lbs [5.9 g]

Material Specifications

Description	Material	Plating
Contact		Gold MIL-G-45204
Insulation	PTFE	
Body	Brass	Gold MIL-G-45204

Click the following link (or enter part number in "SEARCH" on website) to obtain additional part information including price, inventory and certifications: [75 Ohm SMB Plug Right Angle Connector Crimp/Solder Attachment for PE-B150, RG180, RG195 PE4161](#)



75 Ohm SMB Plug Right Angle Connector Crimp/
Solder Attachment for PE-B150, RG180, RG195

RF Connectors Technical Data Sheet

PE4161

Environmental Specifications

Temperature

Operating Range

-65 to +165 deg C

Compliance Certifications (see [product page](#) for current document)

Plotted and Other Data

Notes:

75 Ohm SMB Plug Right Angle Connector Crimp/Solder Attachment for PE-B150, RG180, RG195 from Pasternack Enterprises has same day shipment for domestic and International orders. Our RF, microwave and millimeter wave products maintain a 99% availability and are part of the broadest selection in the industry.

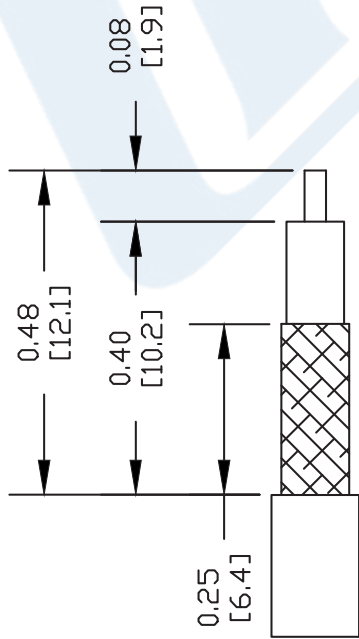
Click the following link (or enter part number in "SEARCH" on website) to obtain additional part information including price, inventory and certifications: [75 Ohm SMB Plug Right Angle Connector Crimp/Solder Attachment for PE-B150, RG180, RG195 PE4161](#)

URL: <https://www.pasternack.com/smb-plug-standard-rg180-rg195-connector-pe4161-p.aspx>

The information contained in this document is accurate to the best of our knowledge and representative of the part described herein. It may be necessary to make modifications to the part and/or the documentation of the part, in order to implement improvements. Pasternack reserves the right to make such changes as required. Unless otherwise stated, all specifications are nominal. Pasternack does not make any representation or warranty regarding the suitability of the part described herein for any particular purpose, and Pasternack does not assume any liability arising out of the use of any part or documentation.

PE4161 CAD Drawing

75 Ohm SMB Plug Right Angle Connector Crimp/Solder
Attachment for PE-B150, RG180, RG195



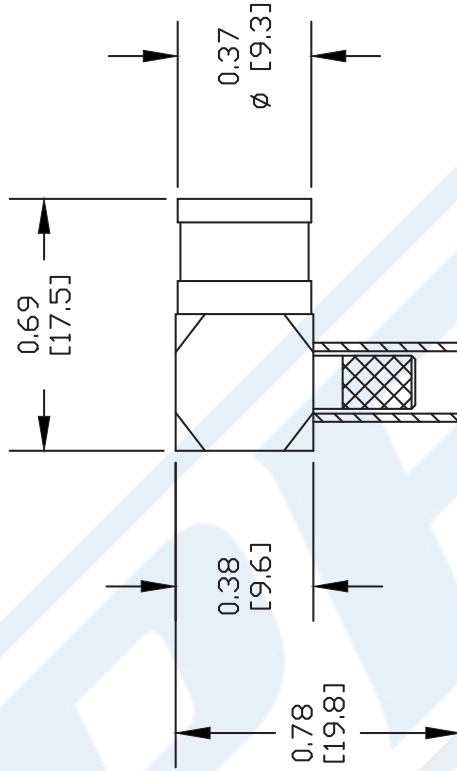
STRIPPING DIMENSIONS

ASSEMBLY PROCEDURES

1. STRIP CABLE AS SHOWN & SLIDE FERRULE OVER CABLE.
2. INSTALL CABLE INTO BODY OF CONNECTOR AND SOFT SOLDER CENTER CONDUCTOR IN PLACE.
3. CRIMP FERRULE & PRESS CAP DOWN.

CRIMP SIZE REQUIRED

FERRULE: .178" HEX CRIMP TOOL



DWG TITLE

PE4161

NOTES:

1. UNLESS OTHERWISE SPECIFIED ALL DIMENSIONS ARE NOMINAL.
2. ALL SPECIFICATIONS ARE SUBJECT TO CHANGE WITHOUT NOTICE AT ANY TIME.
3. DIMENSIONS ARE IN INCHES [mm].
4. FITS MIL-C-17 AND EQUIVALENT CABLES.

REV. A

FSCM NO. 53919

CAD FILE 021508

SCALE N/A

SIZE A

127



PASTERNAK®
Pasternack Enterprises, Inc.
P.O. Box 16759 | Irvine | CA | 92623

Phone: (949) 261-1920 | Fax: (949) 261-7451

Website: www.pasternack.com | E-Mail: sales@pasternack.com

75 Ohm Flexible PE-B150 Coax Cable Single Shielded with Black PVC Jacket

RF Cables Technical Data Sheet

PE-B150

Configuration

Flexible Cable
1 Number of Shields

Electrical Specifications

Description	Minimum	Typical	Maximum	Units
Frequency Range	DC		5	GHz
Impedance		75		Ohms
Operating Voltage (AC)			600	Vrms
Nominal Capacitance		20.5 [67.26]		pF/ft [pF/m]

Performance by Frequency Band

Description	F1	F2	F3	F4	F5	Units
Frequency	10	100	400	700	1,000	MHz
Attenuation, Typ	2.4	5.7	12.1	16.5	20	dB/100ft
	7.87	18.7	39.7	54.13	65.62	dB/100m
Input Power (CW), Max	195	83	40	30	25	Watts

Description	F6	F7	F8	F9	F10	Units
Frequency	5					GHz
Attenuation, Typ	50					dB/100ft
	164.04					dB/100m

Mechanical Specifications

Diameter 0.15 in [3.81 mm]
Weight 0.019 lbs/ft [0.03 Kg/m]

Construction Specifications

Description	Material and Plating	Diameter
Inner Conductor	Copper Clad Steel, 7 Strands	0.017in [0.43 mm]

Click the following link (or enter part number in "SEARCH" on website) to obtain additional part information including price, inventory and certifications: [75 Ohm Flexible PE-B150 Coax Cable Single Shielded with Black PVC Jacket PE-B150](#)

75 Ohm Flexible PE-B150 Coax Cable Single
Shielded with Black PVC Jacket

RF Cables Technical Data Sheet

PE-B150

Dielectric	PE	0.1 in [2.54 mm]
First Shield	Tinned Copper Braid	
Jacket	PVC, Black	0.15 in [3.81 mm]

Environmental Specifications

Temperature

Operating Range -40 to 80 deg C

Compliance Certifications (visit www.Pasternack.com for current document)

Not RoHS Compliant

Plotted and Other Data

Notes:

75 Ohm Flexible PE-B150 Coax Cable Single Shielded with Black PVC Jacket from Pasternack Enterprises has same day shipment for domestic and International orders. Our RF, microwave and millimeter wave products maintain a 99% availability and are part of the broadest selection in the industry.

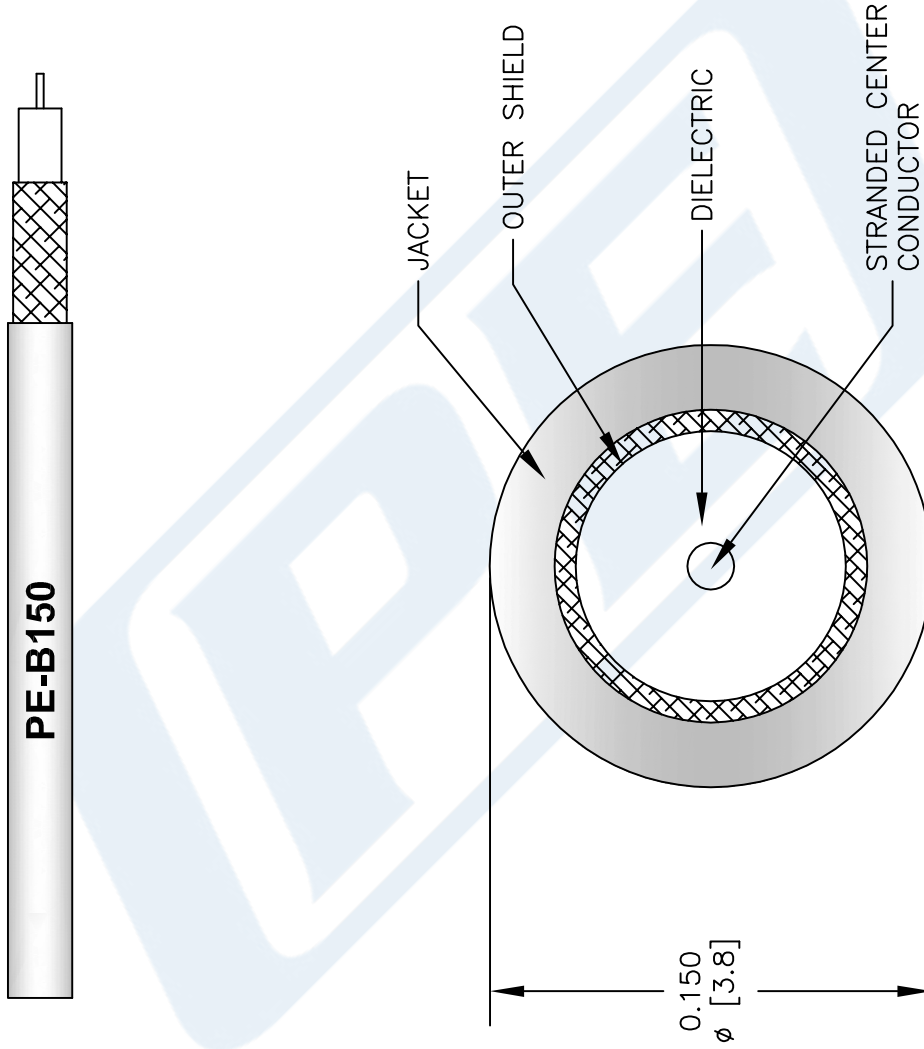
Click the following link (or enter part number in "SEARCH" on website) to obtain additional part information including price, inventory and certifications: [75 Ohm Flexible PE-B150 Coax Cable Single Shielded with Black PVC Jacket PE-B150](#)

URL: <http://www.pasternack.com/flexible-0.150-mini-75-ohm-coax-cable-pvc-jacket-pe-b150-p.aspx>

The information contained in this document is accurate to the best of our knowledge and representative of the part described herein. It may be necessary to make modifications to the part and/or the documentation of the part, in order to implement improvements. Pasternack reserves the right to make such changes as required. Unless otherwise stated, all specifications are nominal. Pasternack does not make any representation or warranty regarding the suitability of the part described herein for any particular purpose, and Pasternack does not assume any liability arising out of the use of any part or documentation.

PE-B150 CAD Drawing

75 Ohm Flexible PE-B150 Coax Cable Single Shielded with Black PVC Jacket



NOTES:
 1. UNLESS OTHERWISE SPECIFIED ALL DIMENSIONS ARE NOMINAL.
 2. ALL SPECIFICATIONS ARE SUBJECT TO CHANGE WITHOUT NOTICE AT ANY TIME.
 3. DIMENSIONS ARE IN INCHES (mm).

DWG TITLE		FSCM NO. 53919	
PE-B150		CAD FILE	042809
		SCALE	N/A
		SIZE	A
			127

PASTERNAK®
 Pasternack Enterprises, Inc.
 P.O. Box 16759 | Irvine | CA | 92623
 Phone: (949) 261-1920 | Fax: (949) 261-7451
 Website: www.pasternack.com | E-Mail: sales@pasternack.com