



## 4.3-10 Male Low PIM Push-On Connector Solder Attachment for PE-1/2SFHC, IP67 Rated

### RF Connectors Technical Data Sheet

PE45300

#### Configuration

- Push-On 4.3-10 Male Connector
- Straight Body Geometry
- PE-1/2SFHC Interface Type
- Solder/Solder Attachment
- Low PIM Design

#### Features

- Max. Operating Frequency 6 GHz
- Excellent VSWR of 1.12:1
- PIM levels lower than -166 dBc
- Silver Plated Brass Contact
- IP 67 (Mated)
- Low Coupling Torque
- Corrosion Resistant Tri-Metal Finish
- Low-PIM rating of -166 dBc

#### Applications

- General Purpose Test
- Wireless Communications
- Custom Cable Assemblies
- Low PIM Applications
- Mobile Communications Systems
- Base Stations
- Distributed Antenna Systems (DAS)
- Small Cells
- Feeder Cables

#### Description

Pasternack's PE45300 4.3-10 male push-on connector with solder/solder attachment for PE-1/2SFHC is part of our full line of RF components available for same-day shipping. Our 4.3-10 male connector operates up to a maximum frequency of 6 GHz and offers excellent VSWR of 1.12:1. The 4.3-10 male connector also has low passive intermodulation of -166 dBc. The connector has an IP67 rating to protect against dust and temporary moisture protection under immersion conditions.

Our 4.3-10 male connector PE45300 datasheet specifications and drawing with dimensions are shown below in this PDF. Pasternack's broad catalog of RF, microwave and millimeter wave connectors allows designers to configure and customize their signal connections however they like. Whether the need is to provide an I/O for a board design, or simply create a custom cable assembly configuration, Pasternack has the right connector for the job. Pasternack can also expertly build your custom cable assemblies for you and ship same-day.

#### Electrical Specifications

Description	Minimum	Typical	Maximum	Units
Frequency Range	DC		6	GHz
VSWR			1.12:1	
Insertion Loss			0.13	dB
Passive Intermodulation		-166		dBc
Operating Voltage (AC)			1,000	Vrms
Dielectric Withstanding Voltage (AC)			2,500	Vrms
Insulation Resistance	5,000			MOhms

Click the following link (or enter part number in "SEARCH" on website) to obtain additional part information including price, inventory and certifications: [4.3-10 Male Low PIM Push-On Connector Solder Attachment for PE-1/2SFHC, IP67 Rated PE45300](#)



4.3-10 Male Low PIM Push-On Connector Solder Attachment for PE-1/2SFHC, IP67 Rated

RF Connectors Technical Data Sheet

PE45300

**Mechanical Specifications**

**Size**

Length	1.06 in [26.92 mm]
Width/Dia.	1 in [25.40 mm]
Weight	0.073 lbs [33.11 g]
Mating Cycles	100 Cycles

**Material Specifications**

Description	Material	Plating
Contact	Brass	Silver
Insulation	PTFE	
Body	Brass	Tri-Metal
Coupling Nut	Brass	Tri-Metal
Gasket	EPDM Rubber	

**Environmental Specifications**

**Temperature**

Operating Range	-55 to +90 deg C
Ingress Protection (IP) Rating	IP 67 (Mated)

Click the following link (or enter part number in "SEARCH" on website) to obtain additional part information including price, inventory and certifications: [4.3-10 Male Low PIM Push-On Connector Solder Attachment for PE-1/2SFHC, IP67 Rated PE45300](#)



## 4.3-10 Male Low PIM Push-On Connector Solder Attachment for PE-1/2SFHC, IP67 Rated

### RF Connectors Technical Data Sheet

PE45300

**Compliance Certifications** (see [product page](#) for current document)

#### Plotted and Other Data

Notes:

4.3-10 Male Low PIM Push-On Connector Solder Attachment for PE-1/2SFHC, IP67 Rated from Pasternack Enterprises has same day shipment for domestic and International orders. Our RF, microwave and millimeter wave products maintain a 99.4% availability and are part of the broadest selection in the industry.

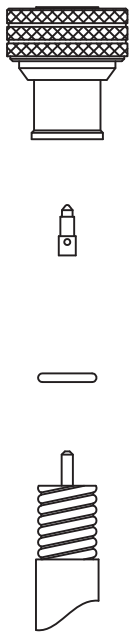
Click the following link (or enter part number in "SEARCH" on website) to obtain additional part information including price, inventory and certifications: [4.3-10 Male Low PIM Push-On Connector Solder Attachment for PE-1/2SFHC, IP67 Rated PE45300](#)

URL: <https://www.pasternack.com/4.3-10-male-pe-1-2sfhc-connector-pe45300-p.aspx>

The information contained in this document is accurate to the best of our knowledge and representative of the part described herein. It may be necessary to make modifications to the part and/or the documentation of the part, in order to implement improvements. Pasternack reserves the right to make such changes as required. Unless otherwise stated, all specifications are nominal. Pasternack does not make any representation or warranty regarding the suitability of the part described herein for any particular purpose, and Pasternack does not assume any liability arising out of the use of any part or documentation.

# PE45300 CAD Drawing

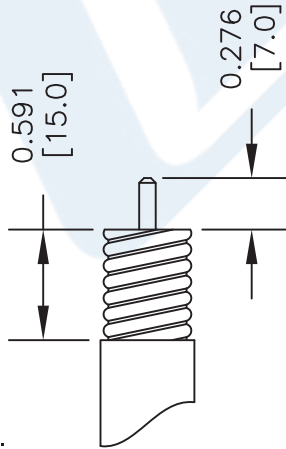
4.3-10 Male Low PIM Push-On Connector Solder Attachment for PE-1/2SFHC, IP67 Rated



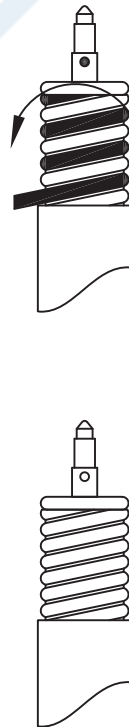
CABLE INSULATOR CONTACT BODY

### ASSEMBLY PROCEDURES

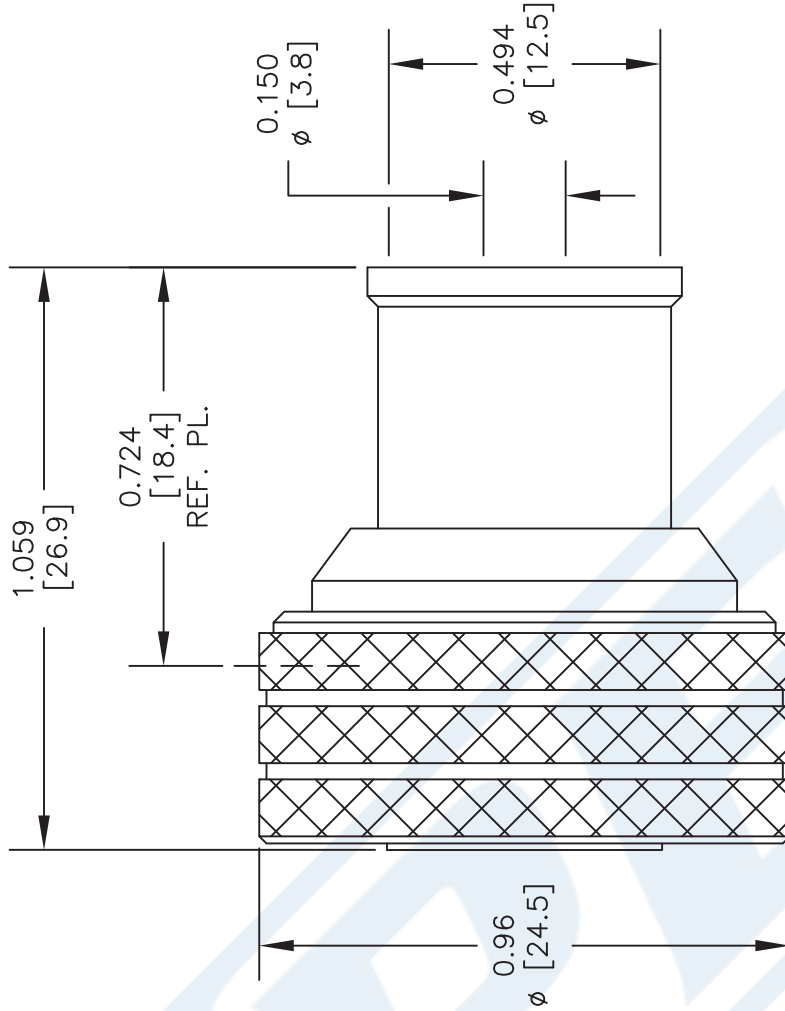
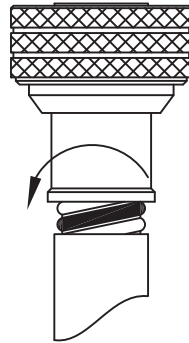
1. STRIP CABLE AS SHOWN, CHAMFER CENTER CONDUCTOR & DEBURR CABLE.



2. INSERT INSULATOR CLIP, INSERT CENTER CONTACT AND SOLDER. WRAP THE CABLE BY SOLDER WIRE (Dia 1.2mm).



3. PUSH THE CONNECTOR BODY INTO THE CABLE, UNTIL IT STOPS. SOLDER THE CONNECTOR BODY WITH CABLE.



### STANDARD TOLERANCES

.X ±0.2  
.XX ±0.1  
.XXX ±0.05

\*STANDARD TOLERANCES APPLY ONLY TO DIMENSIONS IN INCHES

### NOTES:

1. UNLESS OTHERWISE SPECIFIED ALL DIMENSIONS ARE NOMINAL.
2. ALL SPECIFICATIONS ARE SUBJECT TO CHANGE WITHOUT NOTICE AT ANY TIME.
3. DIMENSIONS ARE IN INCHES [mm].

DWG TITLE

**PE45300**

CAGE CODE 53919

CAD FILE 011917

SCALE N/A

SIZE A

2233



THE ENGINEER'S RF SOURCE  
Pasternack Enterprises, Inc.  
P.O. Box 16759 | Irvine | CA | 92623

Phone: (949) 261-1920 | Fax: (949) 261-7451  
Website: www.pasternack.com | E-Mail: sales@pasternack.com



N Male Right Angle Connector Clamp/Non-Solder  
Contact Attachment for 1/2 inch Helical

TECHNICAL DATA SHEET

PE44554

**Configuration**

Connector	N Male
Connector Interface Type	1/2 inch Helical
Attachment Method (Shield/Contact)	Clamp/Non-Solder Contact
Body Style	Right Angle

**Electrical Specifications**

Frequency Range	DC to 3 GHz
Impedance	50 Ohms
Maximum VSWR	1.1:1
Maximum Insertion Loss	0.1 dB
Dielectric Withstanding Voltage	2,500 Vrms
Maximum Passive Intermodulation (2 x 20 Watts)	-160 dBc

**Mechanical Specifications**

**Size**

Length	2.77 in [70.36 mm]
Width/Dia.	0.75 in [19.05 mm]
Height	1.725 in [43.82 mm]
Weight	6.9 lbs [3.13 Kg]

**Connector**

Type	N Male
Contact Material and Plating	Brass, Tri-Metal
Coupling Nut Material and Plating	Brass, Nickel
Coupling Nut Plating Specification	196µ in. minimum
Hex Size	3/4 in.
Torque	12 in-lbs [1.36 Nm]
Body Material and Plating	Brass, Nickel
Body Plating Specification	196µ in. minimum
Dielectric Type	PTFE

**Compliance Certifications** (visit [www.Pasternack.com](http://www.Pasternack.com) for current document)

RoHS Compliant

Click the following link (or enter part number in "SEARCH" on website) to obtain additional part information including price, inventory and certifications: [N Male Right Angle Connector Clamp/Non-Solder Contact Attachment for 1/2 inch Helical PE44554](#)



## N Male Right Angle Connector Clamp/Non-Solder Contact Attachment for 1/2 inch Helical

### TECHNICAL DATA SHEET

PE44554

#### Plotted and Other Data

Notes:

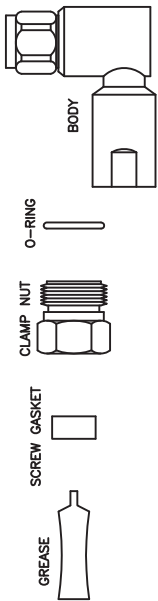
- Values at +25 °C, sea level

N Male Right Angle Connector Clamp/Non-Solder Contact Attachment for 1/2 inch Helical from Pasternack Enterprises has same day shipment for domestic and International orders. Our RF, microwave and millimeter wave products maintain a 99% availability and are part of the broadest selection in the industry.

Click the following link (or enter part number in "SEARCH" on website) to obtain additional part information including price, inventory and certifications: [N Male Right Angle Connector Clamp/Non-Solder Contact Attachment for 1/2 inch Helical PE44554](#)

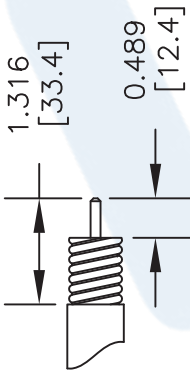
URL: <http://www.pasternack.com/n-male-standard-1-2-inch-helical-connector-pe44554-p.aspx>

The information contained in this document is accurate to the best of our knowledge and representative of the part described herein. It may be necessary to make modifications to the part and/or the documentation of the part, in order to implement improvements. Pasternack reserves the right to make such changes as required. Unless otherwise stated, all specifications are nominal. Pasternack does not make any representation or warranty regarding the suitability of the part described herein for any particular purpose, and Pasternack does not assume any liability arising out of the use of any part or documentation.

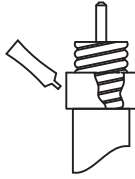


### ASSEMBLY PROCEDURES

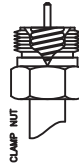
1. STRIP CABLE AS SHOWN, CHAMFER CENTER CONDUCTOR & DEBURR CABLE.



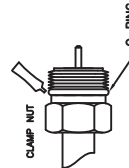
2. PUT THE SCREW GASKET ONTO CABLE, PAY ATTENTION TO THE CORRECT DIRECTION OF THE SCREW GASKET (ANGLE DIRECTION TOWARDS THE FRONT). WIPE THE GASKET WITH GREASE.



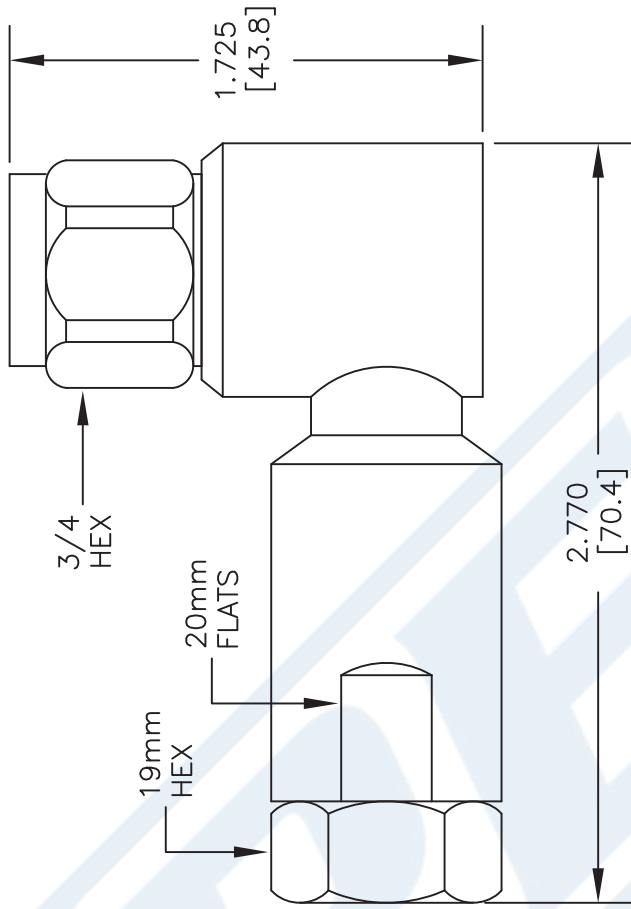
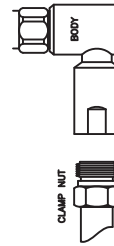
3. SCREW CLAMP NUT ONTO CABLE UNTIL EDGES OF NUT & OUTER CONDUCTOR ARE FLAT.



4. SLIDE O-RING OVER THREAD AND SEAT INTO PLACE. GREASE O-RING.



5. HOLD CLAMP NUT STEADY & SCREW BODY TIGHTLY ONTO CABLE.



DWG TITLE

**PE44554**

NOTES:  
 1. UNLESS OTHERWISE SPECIFIED ALL DIMENSIONS ARE NOMINAL.  
 2. ALL SPECIFICATIONS ARE SUBJECT TO CHANGE WITHOUT NOTICE AT ANY TIME.  
 3. DIMENSIONS ARE IN INCHES [mm].  
 4. FITS MIL-C-17 AND EQUIVALENT CABLES.

**PE PASTERNAK®**  
 Pasternack Enterprises, Inc.  
 P.O. Box 16759 | Irvine | CA | 92623  
 Phone: (949) 261-1920 | Fax: (949) 261-7451  
 Website: www.pasternack.com | E-Mail: sales@pasternack.com

FSCM NO. 53919

CAD FILE 091813

SCALE N/A

SIZE A

2233



## Low Loss 1/2 Superflexible Helical Corrugated Coax Cable with Black PE Jacket

### TECHNICAL DATA SHEET

### PE-1/2SFHC

#### 1/2" Superflexible Low Loss Foam Dielectric Copper Corrugated Coaxial Cable features

Our corrugated cables and Low PIM connector combinations result in cable assemblies with excellent Passive Intermodulation performance. Solid copper outer conductors provide the highest possible RF shielding. This Superflexible cable features excellent return loss performance. The highly foamed dielectric and optimized dimensions of these cables result in excellent low attenuation values. The Superflexible helically corrugated copper outer conductor allows for a small bending radius.

- Low Passive Intermodulation
- Solid copper outer conductor provides the highest possible RF shielding
- Superflexible helically corrugated copper outer conductor enables a small bending radius
- Excellent return loss performance
- Highly foamed dielectric provides low attenuation

#### Configuration

Cable Design	Low Loss
Inner Conductor Material and Plating	Copper Clad Aluminum
Dielectric Type	Foam PE
Shield Materials	Helically Corrugated Copper Tube
Jacket Material, Color	PE, Black

#### Electrical Specifications

Impedance, Ohms	50
Velocity of Propagation, %	82
Max Operating Frequency, GHz	10.2
Cutoff Frequency, GHz	13
RF Shielding, dB	120
Capacitance, pF/ft [pF/m]	25.3 [83.01]
Inductance, uH/ft [uH/m]	0.059 [0.19]
DC Resistance Inner Conductor, Ohms/1000ft [Ohms/Km]	0.91 [2.99]
DC Resistance Outer Conductor, Ohms/1000ft [Ohms/Km]	1.08 [3.54]
Max Operating Voltage, Volts	1000
Dielectric Withstanding Voltage, Vrms	2500

#### Electrical Specifications by Frequency

##### Frequency 1

Frequency, MHz	100
Attenuation, dB/100 ft [dB/100m]	0.92 [3.02]
Power Handling, Watts	2600

##### Frequency 2

Frequency, MHz	450
Attenuation, dB/100 ft [dB/100m]	2.07 [6.79]
Power Handling, Watts	1200

Click the following link (or enter part number in "SEARCH" on website) to obtain additional part information including price, inventory and certifications: [Low Loss 1/2 Superflexible Helical Corrugated Coax Cable with Black PE Jacket PE-1/2SFHC](#)

The information contained in this document is accurate to the best of our knowledge and representative of the part described herein. It may be necessary to make modifications to the part and/or the documentation of the part, in order to implement improvements. Pasternack reserves the right to make such changes as required. Unless otherwise stated, all specifications are nominal.



## Low Loss 1/2 Superflexible Helical Corrugated Coax Cable with Black PE Jacket

### TECHNICAL DATA SHEET

### PE-1/2SFHC

#### Frequency 3

Frequency, MHz	900
Attenuation, dB/100 ft [dB/100m]	3.02 [9.91]
Power Handling, Watts	810

#### Frequency 4

Frequency, MHz	1
Attenuation, dB/100 ft [dB/100m]	3.23 [10.60]
Power Handling, Watts	770

#### Frequency 5

Frequency, GHz	1.8
Attenuation, dB/100 ft [dB/100m]	4.45 [14.60]
Power Handling, Watts	550

#### Frequency 6

Frequency, GHz	1.9
Attenuation, dB/100 ft [dB/100m]	4.57 [14.99]
Power Handling, Watts	540

#### Frequency 7

Frequency, GHz	2.2
Attenuation, dB/100 ft [dB/100m]	4.97 [16.31]
Power Handling, Watts	490

#### Frequency 8

Frequency, GHz	2.5
Attenuation, dB/100 ft [dB/100m]	5.37 [17.62]
Power Handling, Watts	460

#### Frequency 9

Frequency, GHz	2.7
Attenuation, dB/100 ft [dB/100m]	5.61 [18.41]
Power Handling, Watts	440

#### Frequency 10

Frequency, GHz	3
Attenuation, dB/100 ft [dB/100m]	5.95 [19.52]
Power Handling, Watts	410

Click the following link (or enter part number in "SEARCH" on website) to obtain additional part information including price, inventory and certifications: [Low Loss 1/2 Superflexible Helical Corrugated Coax Cable with Black PE Jacket PE-1/2SFHC](#)

The information contained in this document is accurate to the best of our knowledge and representative of the part described herein. It may be necessary to make modifications to the part and/or the documentation of the part, in order to implement improvements. Pasternack reserves the right to make such changes as required. Unless otherwise stated, all specifications are nominal.



## Low Loss 1/2 Superflexible Helical Corrugated Coax Cable with Black PE Jacket

### TECHNICAL DATA SHEET

### PE-1/2SFHC

#### Mechanical Specifications

<b>Inner Conductor:</b>	Number of Strands	1
	Material	Copper Clad Aluminum
	Diameter, in [mm]	0.139 [3.53]
<b>Dielectric:</b>	Type	Foam PE
	Diameter, in [mm]	0.362 [9.19]
<b>Shield:</b>	Number of	1
	Material 1	Helically Corrugated Copper Tube
	Diameter, in [mm]	0.468 [11.89]
<b>Jacket:</b>	Material	PE
	Diameter, in [mm]	0.535 [13.59]
	Color	Black
	Repeated Minimum Bend Radius, in [mm]	1.18 [29.97]
	One Time Minimum Bend Radius, in [mm]	0.6 [15.24]
	Minimum Number of Bends	20
	Tensile Strength, Lbs [Kg]	157 [71.21]
	Weight, Lbs/ft [Kg/m]	0.129 [0.19]
	Temperature Operating Range, deg C	-55 to +85

#### Compliance Certifications (visit [www.Pasternack.com](http://www.Pasternack.com) for current document)

RoHS Compliant	Yes
----------------	-----

#### Other Data

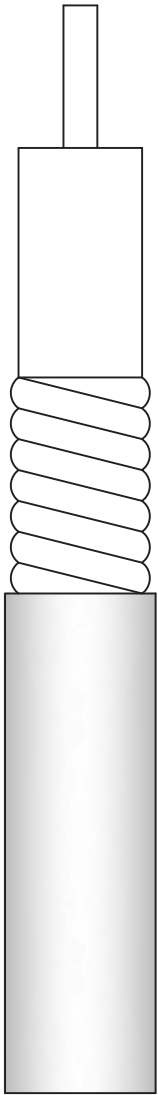
URL: <http://www.pasternack.com/50-ohm-low-loss-corrugated-1-2-superflexible-helical-coax-pe-1-2sfhc-p.aspx>

Low Loss 1/2 Superflexible Helical Corrugated Coax Cable with Black PE Jacket from Pasternack Enterprises has same day shipment for domestic and International orders. We maintain 99% availability of the industry's broadest selection of RF, microwave and fiber optic products.

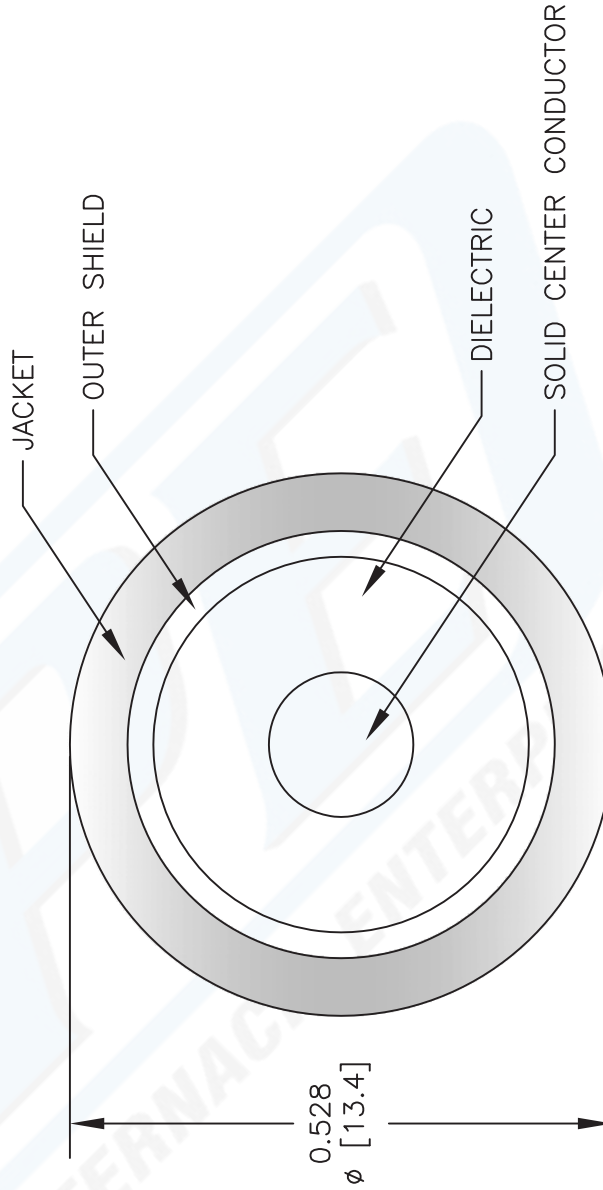
The information contained in this document is accurate to the best of our knowledge and representative of the part described herein. It may be necessary to make modifications to the part and/or the documentation of the part, in order to implement improvements. Pasternack reserves the right to make such changes as required. Unless otherwise stated, all specifications are nominal.

# PE-1/2SFHC CAD Drawing

Low Loss 1/2 Superflexible Helical Corrugated Coax Cable with Black PE Jacket



## PE-1/2SFHC



DWG TITLE

**PE-1/2SFHC**

NOTES:  
 1. UNLESS OTHERWISE SPECIFIED ALL DIMENSIONS ARE NOMINAL.  
 2. ALL SPECIFICATIONS ARE SUBJECT TO CHANGE WITHOUT NOTICE AT ANY TIME.  
 3. DIMENSIONS ARE IN INCHES [mm].

FSCM NO. 53919

CAD FILE 092112

SCALE N/A

SIZE A

2233



Pasternack Enterprises, Inc.  
 P.O. Box 16759 | Irvine | CA | 92623

Phone: (949) 261-1920 | Fax: (949) 261-7451

Website: [www.pasternack.com](http://www.pasternack.com) | E-Mail: [sales@pasternack.com](mailto:sales@pasternack.com)