



7/16 DIN Male Right Angle Connector Clamp/Non-Solder  
Contact Attachment For 1/2 inch Helical, IP 68 Rated

TECHNICAL DATA SHEET

PE44979

**Configuration**

Connector	7/16 DIN Male
Connector Interface Type	1/2 inch Helical
Cable Attachment Method (Shield/Contact)	Clamp/Non-Solder Contact
Body Style	Right Angle

**Electrical Specifications**

Frequency Range, GHz	DC to 3
Impedance, Ohms	50
Maximum VSWR	1.15:1
Maximum Insertion Loss, dB	0.05
Maximum Operating Voltage, Volts	2,500
Maximum Passive Intermodulation (2 x 20 Watts), dBc	-160

**Mechanical Specifications**

**Temperature**

Operating Range, deg C	-55 to +155
------------------------	-------------

**Size**

Length, in [mm]	1.82 [46.23]
Width/Dia., in [mm]	1.25 [31.75]
Height, in [mm]	2.41 [61.21]

**Connector**

Type	7/16 DIN Male
Contact Material and Plating	Brass, Silver
Contact Plating Specification	5µ in. minimum
Coupling Nut Material and Plating	Brass, Nickel
Coupling Nut Plating Specification	5µ in. minimum
Hex Size, in.	1 1/4
Torque, ft-lbs [Nm]	18.439 [25]
Body Material and Plating	Brass, Tri-Metal
Body Plating Specification	2µ in. minimum
Dielectric Type	PTFE

**Compliance Certifications** (visit [www.Pasternack.com](http://www.Pasternack.com) for current document)

RoHS Compliant	Yes
----------------	-----

Click the following link (or enter part number in "SEARCH" on website) to obtain additional part information including price, inventory and certifications: [7/16 DIN Male Right Angle Connector Clamp/Non-Solder Contact Attachment For 1/2 inch Helical, IP 68 Rated PE44979](#)

The information contained in this document is accurate to the best of our knowledge and representative of the part described herein. It may be necessary to make modifications to the part and/or the documentation of the part, in order to implement improvements. Pasternack reserves the right to make such changes as required. Unless otherwise stated, all specifications are nominal.



7/16 DIN Male Right Angle Connector Clamp/Non-Solder  
Contact Attachment For 1/2 inch Helical, IP 68 Rated

TECHNICAL DATA SHEET

PE44979

**Plotted and Other Data**

Notes:

Values at 25 °C, sea level

7/16 DIN Male Right Angle Connector Clamp/Non-Solder Contact Attachment For 1/2 inch Helical, IP 68 Rated from Pasternack Enterprises has same day shipment for domestic and International orders. Our RF, microwave and fiber optic products maintain a 99% availability and are part of the broadest selection in the industry.

Click the following link (or enter part number in "SEARCH" on website) to obtain additional part information including price, inventory and certifications: [7/16 DIN Male Right Angle Connector Clamp/Non-Solder Contact Attachment For 1/2 inch Helical, IP 68 Rated PE44979](http://www.pasternack.com/7-16-male-right-angle-connector-clamp-non-solder-contact-attachment-for-1-2-inch-helical-ip-68-rated-pe44979)

URL: <http://www.pasternack.com/7-16-male-standard-1-2-inch-helical-connector-pe44979-p.aspx>

The information contained in this document is accurate to the best of our knowledge and representative of the part described herein. It may be necessary to make modifications to the part and/or the documentation of the part, in order to implement improvements. Pasternack reserves the right to make such changes as required. Unless otherwise stated, all specifications are nominal.

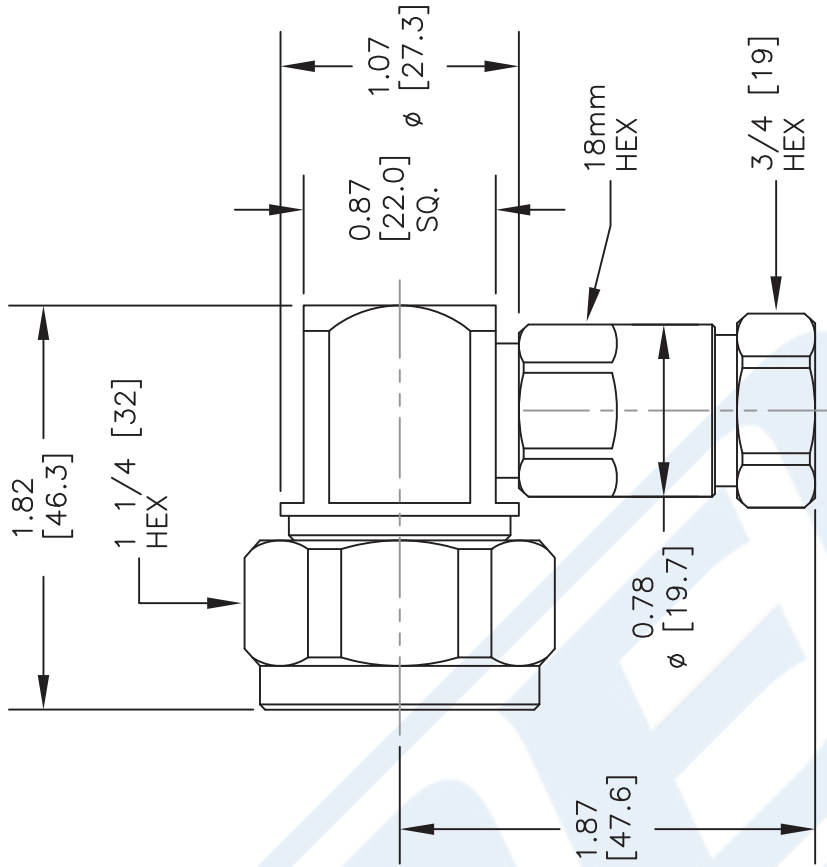
# PE44979 CAD Drawing

7/16 DIN Male Right Angle Connector Clamp/Non-Solder  
Contact Attachment For 1/2 inch Helical, IP 68 Rated



### ASSEMBLY PROCEDURES

- STRIP CABLE AS SHOWN, CHAMFER CENTER CONDUCTOR & DEBURR CABLE.
- PUT THE SCREW GASKET ONTO CABLE, PAY ATTENTION TO THE CORRECT DIRECTION OF THE SCREW GASKET (ANGLE DIRECTION TOWARDS THE FRONT). WIPE THE GASKET WITH GREASE.
- SCREW CLAMP NUT ONTO CABLE UNTIL EDGES OF NUT & OUTER CONDUCTOR ARE FLAT.
- SLIDE O-RING OVER THREAD AND SEAT INTO PLACE. GREASE O-RING.
- HOLD CLAMP NUT STEADY & SCREW BODY TIGHTLY ONTO CABLE.



DWG TITLE

**PE44979**

- NOTES:
- UNLESS OTHERWISE SPECIFIED ALL DIMENSIONS ARE NOMINAL.
  - ALL SPECIFICATIONS ARE SUBJECT TO CHANGE WITHOUT NOTICE AT ANY TIME.
  - DIMENSIONS ARE IN INCHES [mm].
  - FITS MIL-C-17 AND EQUIVALENT CABLES.

FSCM NO. 53919

CAD FILE 120513

SCALE N/A

SIZE A

2233



**PASTERNAK**  
THE ENGINEER'S RF SOURCE  
Pasternack Enterprises, Inc.  
P.O. Box 16759 | Irvine | CA | 92623

Phone: (949) 261-1920 | Fax: (949) 261-7451  
Website: www.pasternack.com | E-Mail: sales@pasternack.com



## N Male Low PIM Connector Clamp/Non-Solder Contact Attachment For 1/2" Superflexible, PE-1/2SFHC

### TECHNICAL DATA SHEET

PE44729

#### N Male Connectors

These Pasternack Enterprises' high performance connectors are designed to fit on most commercially available 1/2" superflexible, spiral corrugated copper cables and aluminum cables. These connectors are perfect for applications requiring low PIM levels, with outstanding RF performance and are easy to install in the field.

Features of the new connectors include:

- Tri-metal coating resulting in a very durable surface with good corrosion protection while providing superior electrical conductivity and exceptional PIM performance
- PIM performance of  $\leq -160$  dBc. VSWR levels of  $\leq 1.10$  up to 3GHz
- Available in 7/16 DIN and Type N series with both male and female interfaces
- O Rings gaskets provide a reliable long term weather seal
- Designed to fit on most commercially available 1/2" corrugated copper and aluminum cables

#### Configuration

Connector	N Male
Connector Specification	IEC 60169-16
Connector Interface Type	1/2" Superflexible, PE-1/2SFHC
Cable Attachment Method (Shield/Contact)	Clamp/Non-Solder Contact
Connector Design	Low PIM
Body Style	Straight

#### Electrical Specifications

Frequency Range, GHz	DC to 3
Impedance, Ohms	50
Maximum VSWR	1.1:1
Maximum Insertion Loss, dB	0.1
Dielectric Withstanding Voltage, Vrms	2,500
Maximum Passive Intermodulation (2 x 20 Watts), dBc	-160

#### Mechanical Specifications

##### Temperature

Operating Range, deg C	-40 to +85
------------------------	------------

##### Size

Length, in [mm]	2.07 [52.58]
Width/Dia., in [mm]	0.85 [21.59]
Weight, lbs [g]	0.23 [104.33]

Click the following link (or enter part number in "SEARCH" on website) to obtain additional part information including price, inventory and certifications: [N Male Low PIM Connector Clamp/Non-Solder Contact Attachment For 1/2" Superflexible, PE-1/2SFHC PE44729](#)

The information contained in this document is accurate to the best of our knowledge and representative of the part described herein. It may be necessary to make modifications to the part and/or the documentation of the part, in order to implement improvements. Pasternack reserves the right to make such changes as required. Unless otherwise stated, all specifications are nominal.



N Male Low PIM Connector Clamp/Non-Solder Contact Attachment For 1/2" Superflexible, PE-1/2SFHC

TECHNICAL DATA SHEET

PE44729

**Connector**

Type	N Male
Mating Cycles	500
Contact Material and Plating	Spring Copper, Silver
Contact Plating Specification	200 [5] $\mu$ in. [ $\mu$ m] minimum
Outer Conductor Material and Plating	Brass, Tri-Metal
Outer Conductor Plating Specification	78 [2] $\mu$ in. [ $\mu$ m] minimum
Coupling Nut Material and Plating	Brass, Nickel
Coupling Nut Plating Specification	200 [5] $\mu$ in. [ $\mu$ m] minimum
Hex Size, mm	20
Torque, in-lbs [Nm]	15 [1.7]
Body Material and Plating	Brass, Tri-Metal
Body Plating Specification	78 [2] $\mu$ in. [ $\mu$ m] minimum
Dielectric Type	TPX

**Compliance Certifications** (visit [www.Pasternack.com](http://www.Pasternack.com) for current document)

RoHS Compliant	Yes
----------------	-----

**Plotted and Other Data**

Notes:	Values at 25 °C, sea level
--------	----------------------------

N Male Low PIM Connector Clamp/Non-Solder Contact Attachment For 1/2" Superflexible, PE-1/2SFHC from Pasternack Enterprises has same day shipment for domestic and International orders. Our RF, microwave and fiber optic products maintain a 99% availability and are part of the broadest selection in the industry.

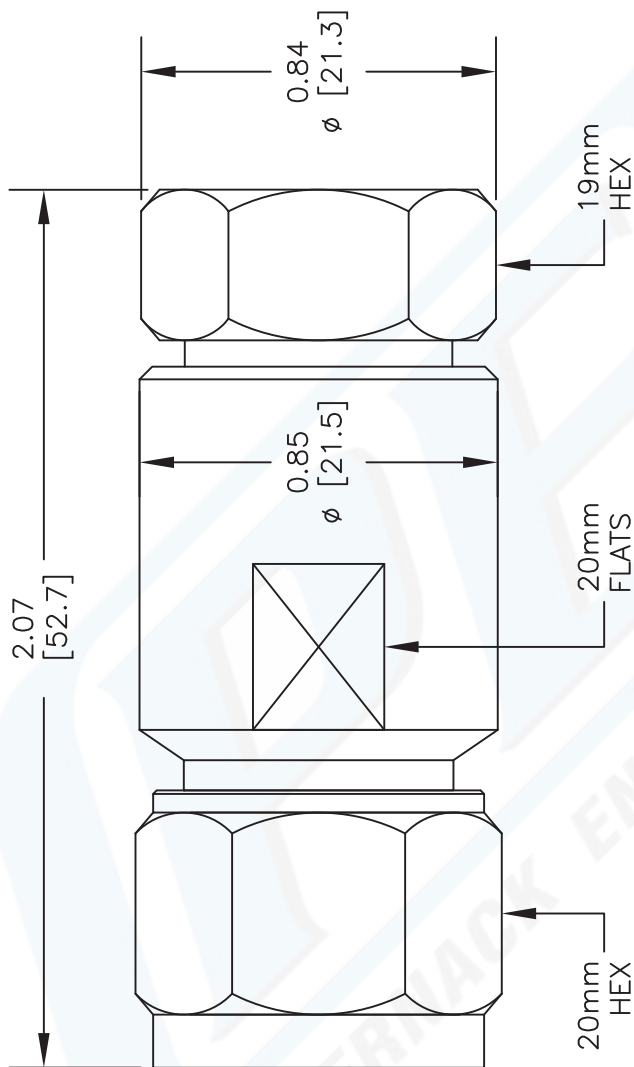
Click the following link (or enter part number in "SEARCH" on website) to obtain additional part information including price, inventory and certifications: [N Male Low PIM Connector Clamp/Non-Solder Contact Attachment For 1/2" Superflexible, PE-1/2SFHC PE44729](http://www.pasternack.com/n-male-standard-1-2-inch-super-flexible-pe-1-2sfhc-connector-pe44729-p.aspx)

URL: <http://www.pasternack.com/n-male-standard-1-2-inch-super-flexible-pe-1-2sfhc-connector-pe44729-p.aspx>

The information contained in this document is accurate to the best of our knowledge and representative of the part described herein. It may be necessary to make modifications to the part and/or the documentation of the part, in order to implement improvements. Pasternack reserves the right to make such changes as required. Unless otherwise stated, all specifications are nominal.

# PE44729 CAD Drawing

N Male Low PIM Connector Clamp/Non-Solder Contact  
Attachment For 1/2" Superflexible, PE-1/2SFHC



N MALE

DWG TITLE

**PE44729**

NOTES:  
1. UNLESS OTHERWISE SPECIFIED ALL DIMENSIONS ARE NOMINAL.  
2. ALL SPECIFICATIONS ARE SUBJECT TO CHANGE WITHOUT NOTICE AT ANY TIME.  
3. DIMENSIONS ARE IN INCHES [mm].

PASTERNAK ENTERPRISES, INC.

P.O. BOX 16759, IRVINE, CA 92623  
PHONE (949) 261-1920 FAX (949) 261-7451

WEB ADDRESS: [www.pasternack.com](http://www.pasternack.com)  
E-MAIL ADDRESS: [sales@pasternack.com](mailto:sales@pasternack.com)

COAXIAL & FIBER OPTICS



REV. -

FSCM NO. 53919

DATE 08/14/12

SCALE N/A

SIZE A

2233



## Low Loss 1/2 Superflexible Helical Corrugated Coax Cable with Black PE Jacket

### TECHNICAL DATA SHEET

### PE-1/2SFHC

#### 1/2" Superflexible Low Loss Foam Dielectric Copper Corrugated Coaxial Cable features

Our corrugated cables and Low PIM connector combinations result in cable assemblies with excellent Passive Intermodulation performance. Solid copper outer conductors provide the highest possible RF shielding. This Superflexible cable features excellent return loss performance. The highly foamed dielectric and optimized dimensions of these cables result in excellent low attenuation values. The Superflexible helically corrugated copper outer conductor allows for a small bending radius.

- Low Passive Intermodulation
- Solid copper outer conductor provides the highest possible RF shielding
- Superflexible helically corrugated copper outer conductor enables a small bending radius
- Excellent return loss performance
- Highly foamed dielectric provides low attenuation

#### Configuration

Cable Design	Low Loss
Inner Conductor Material and Plating	Copper Clad Aluminum
Dielectric Type	Foam PE
Shield Materials	Helically Corrugated Copper Tube
Jacket Material, Color	PE, Black

#### Electrical Specifications

Impedance, Ohms	50
Velocity of Propagation, %	82
Max Operating Frequency, GHz	10.2
Cutoff Frequency, GHz	13
RF Shielding, dB	120
Capacitance, pF/ft [pF/m]	25.3 [83.01]
Inductance, uH/ft [uH/m]	0.059 [0.19]
DC Resistance Inner Conductor, Ohms/1000ft [Ohms/Km]	0.91 [2.99]
DC Resistance Outer Conductor, Ohms/1000ft [Ohms/Km]	1.08 [3.54]
Max Operating Voltage, Volts	1000
Dielectric Withstanding Voltage, Vrms	2500

#### Electrical Specifications by Frequency

##### Frequency 1

Frequency, MHz	100
Attenuation, dB/100 ft [dB/100m]	0.92 [3.02]
Power Handling, Watts	2600

##### Frequency 2

Frequency, MHz	450
Attenuation, dB/100 ft [dB/100m]	2.07 [6.79]
Power Handling, Watts	1200

Click the following link (or enter part number in "SEARCH" on website) to obtain additional part information including price, inventory and certifications: [Low Loss 1/2 Superflexible Helical Corrugated Coax Cable with Black PE Jacket PE-1/2SFHC](#)

The information contained in this document is accurate to the best of our knowledge and representative of the part described herein. It may be necessary to make modifications to the part and/or the documentation of the part, in order to implement improvements. Pasternack reserves the right to make such changes as required. Unless otherwise stated, all specifications are nominal.



## Low Loss 1/2 Superflexible Helical Corrugated Coax Cable with Black PE Jacket

### TECHNICAL DATA SHEET

### PE-1/2SFHC

#### Frequency 3

Frequency, MHz	900
Attenuation, dB/100 ft [dB/100m]	3.02 [9.91]
Power Handling, Watts	810

#### Frequency 4

Frequency, MHz	1
Attenuation, dB/100 ft [dB/100m]	3.23 [10.60]
Power Handling, Watts	770

#### Frequency 5

Frequency, GHz	1.8
Attenuation, dB/100 ft [dB/100m]	4.45 [14.60]
Power Handling, Watts	550

#### Frequency 6

Frequency, GHz	1.9
Attenuation, dB/100 ft [dB/100m]	4.57 [14.99]
Power Handling, Watts	540

#### Frequency 7

Frequency, GHz	2.2
Attenuation, dB/100 ft [dB/100m]	4.97 [16.31]
Power Handling, Watts	490

#### Frequency 8

Frequency, GHz	2.5
Attenuation, dB/100 ft [dB/100m]	5.37 [17.62]
Power Handling, Watts	460

#### Frequency 9

Frequency, GHz	2.7
Attenuation, dB/100 ft [dB/100m]	5.61 [18.41]
Power Handling, Watts	440

#### Frequency 10

Frequency, GHz	3
Attenuation, dB/100 ft [dB/100m]	5.95 [19.52]
Power Handling, Watts	410

Click the following link (or enter part number in "SEARCH" on website) to obtain additional part information including price, inventory and certifications: [Low Loss 1/2 Superflexible Helical Corrugated Coax Cable with Black PE Jacket PE-1/2SFHC](#)

The information contained in this document is accurate to the best of our knowledge and representative of the part described herein. It may be necessary to make modifications to the part and/or the documentation of the part, in order to implement improvements. Pasternack reserves the right to make such changes as required. Unless otherwise stated, all specifications are nominal.



## Low Loss 1/2 Superflexible Helical Corrugated Coax Cable with Black PE Jacket

### TECHNICAL DATA SHEET

### PE-1/2SFHC

#### Mechanical Specifications

<b>Inner Conductor:</b>	Number of Strands	1
	Material	Copper Clad Aluminum
	Diameter, in [mm]	0.139 [3.53]
<b>Dielectric:</b>	Type	Foam PE
	Diameter, in [mm]	0.362 [9.19]
<b>Shield:</b>	Number of	1
	Material 1	Helically Corrugated Copper Tube
	Diameter, in [mm]	0.468 [11.89]
<b>Jacket:</b>	Material	PE
	Diameter, in [mm]	0.535 [13.59]
	Color	Black
	Repeated Minimum Bend Radius, in [mm]	1.18 [29.97]
	One Time Minimum Bend Radius, in [mm]	0.6 [15.24]
	Minimum Number of Bends	20
	Tensile Strength, Lbs [Kg]	157 [71.21]
	Weight, Lbs/ft [Kg/m]	0.129 [0.19]
	Temperature Operating Range, deg C	-55 to +85

#### Compliance Certifications (visit [www.Pasternack.com](http://www.Pasternack.com) for current document)

RoHS Compliant	Yes
----------------	-----

#### Other Data

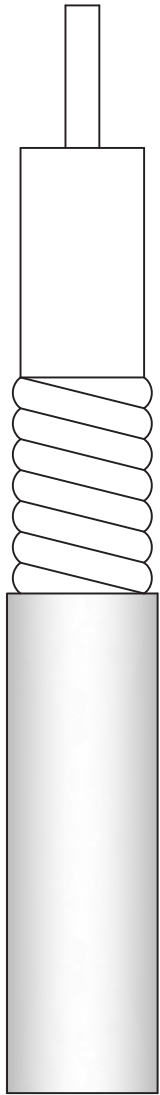
URL: <http://www.pasternack.com/50-ohm-low-loss-corrugated-1-2-superflexible-helical-coax-pe-1-2sfhc-p.aspx>

Low Loss 1/2 Superflexible Helical Corrugated Coax Cable with Black PE Jacket from Pasternack Enterprises has same day shipment for domestic and International orders. We maintain 99% availability of the industry's broadest selection of RF, microwave and fiber optic products.

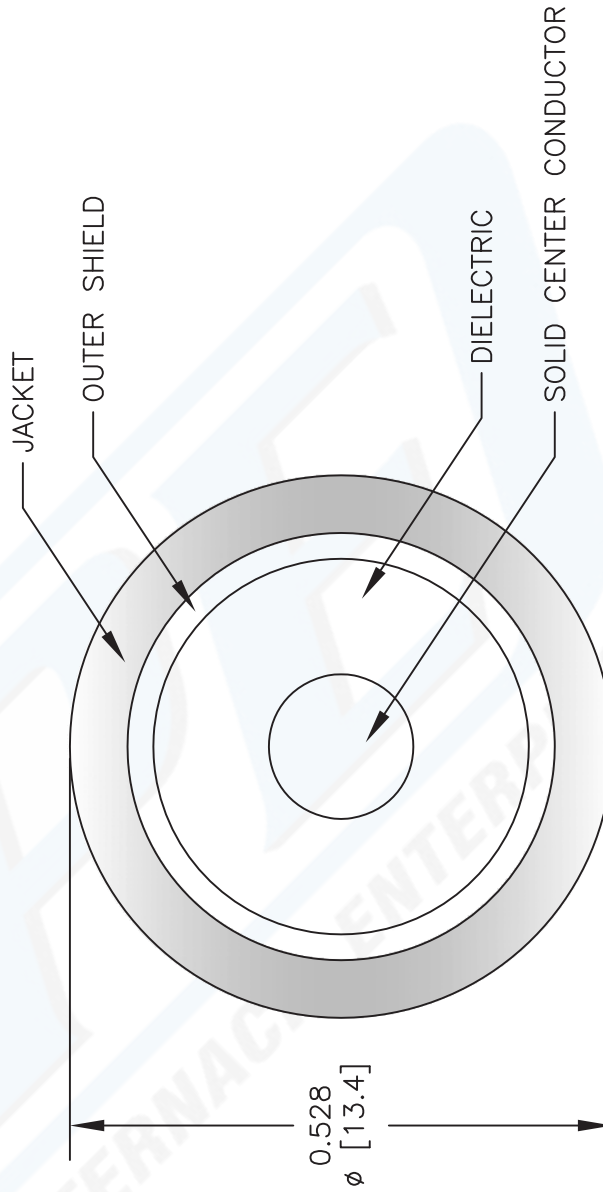
The information contained in this document is accurate to the best of our knowledge and representative of the part described herein. It may be necessary to make modifications to the part and/or the documentation of the part, in order to implement improvements. Pasternack reserves the right to make such changes as required. Unless otherwise stated, all specifications are nominal.

# PE-1/2SFHC CAD Drawing

Low Loss 1/2 Superflexible Helical Corrugated Coax Cable with Black PE Jacket



## PE-1/2SFHC



DWG TITLE

**PE-1/2SFHC**

NOTES:  
1. UNLESS OTHERWISE SPECIFIED ALL DIMENSIONS ARE NOMINAL.  
2. ALL SPECIFICATIONS ARE SUBJECT TO CHANGE WITHOUT NOTICE AT ANY TIME.  
3. DIMENSIONS ARE IN INCHES [mm].

FSCM NO. 53919

CAD FILE 092112

SCALE N/A

SIZE A

2233



Pasternack Enterprises, Inc.  
P.O. Box 16759 | Irvine | CA | 92623  
Phone: (949) 261-1920 | Fax: (949) 261-7451  
Website: [www.pasternack.com](http://www.pasternack.com) | E-Mail: [sales@pasternack.com](mailto:sales@pasternack.com)