



## SSMC Plug Right Angle Connector Solder Attachment for PE-047SR, PE-SR047AL, PE-SR047FL

### RF Connectors Technical Data Sheet

PE45385

#### Configuration

- SSMC Plug Connector
- Right Angle Body Geometry
- PE-047SR, PE-SR047AL, PE-SR047FL Interface Type
- Solder/Solder Attachment

#### Features

- Max. Operating Frequency 12.4 GHz
- Gold Plated Beryllium Copper Contact
- Contact plating according to MIL-G-45204
- Reliable threaded coupling
- Small SSMC connector form factor (50% smaller than SMA, radially)
- IEC 60169-20 SSMC connector interface
- In stock and ready to ship

#### Applications

- General Purpose Test
- Custom Cable Assemblies
- Avionics
- A/D Modules
- Data Acquisition
- Software defined radio (SDR)
- RADAR/SONAR
- Ultra Wideband Digital Receivers
- Medical equipment

#### Description

Pasternack's PE45385 SSMC plug right angle connector with solder/solder attachment for PE-047SR, PE-SR047AL and PE-SR047FL is part of our full line of RF components available for same-day shipping. Our SSMC plug connector operates up to a maximum frequency of 12.4 GHz. Its right angle body geometry allows for easier connections in tight spaces.

Our SSMC plug right angle connector PE45385 datasheet specifications and drawing with dimensions are shown below in this PDF. Pasternack's broad catalog of RF, microwave and millimeter wave connectors allows designers to configure and customize their signal connections however they like. Whether the need is to provide an I/O for a board design, or simply create a custom cable assembly configuration, Pasternack has the right connector for the job. Pasternack can also expertly build your custom cable assemblies for you and ship same-day.

#### Electrical Specifications

| Description                     | Minimum | Typical | Maximum | Units |
|---------------------------------|---------|---------|---------|-------|
| Frequency Range                 | DC      |         | 12.4    | GHz   |
| Insertion Loss                  |         |         | 0.3     | dB    |
| Operating Voltage (AC)          |         |         | 250     | Vrms  |
| High Potential Voltage<br>5 MHz |         |         | 400     | Vrms  |
| Inner Conductor DC Resistance   |         |         | 4       | mOhms |
| Outer Conductor DC Resistance   |         |         | 1       | mOhms |
| Insulation Resistance           | 1,000   |         |         | MOhms |
| RF Leakage                      | -50     |         |         | dB    |

Click the following link (or enter part number in "SEARCH" on website) to obtain additional part information including price, inventory and certifications: [SSMC Plug Right Angle Connector Solder Attachment for PE-047SR, PE-SR047AL, PE-SR047FL PE45385](#)



SSMC Plug Right Angle Connector Solder Attachment  
for PE-047SR, PE-SR047AL, PE-SR047FL

RF Connectors Technical Data Sheet

PE45385

**Mechanical Specifications**

**Size**

|            |                     |
|------------|---------------------|
| Length     | 0.421 in [10.69 mm] |
| Width/Dia. | 0.156 in [3.96 mm]  |
| Height     | 0.322 in [8.18 mm]  |

|               |                                    |
|---------------|------------------------------------|
| Mating Cycles | 500 Cycles                         |
| Mating Torque | 1.75 to 2 in-lbs [0.20 to 0.23 Nm] |

**Material Specifications**

| Description  | Material         | Plating             |
|--------------|------------------|---------------------|
| Contact      | Beryllium Copper | Gold<br>MIL-G-45204 |
| Insulation   | Teflon           |                     |
| Body         | Brass            | Gold<br>MIL-G-45204 |
| Coupling Nut | Beryllium Copper | Gold<br>MIL-G-45204 |

**Environmental Specifications**

**Temperature**

|                 |   |
|-----------------|---|
| Operating Range | -65 to +165 deg C                           |
| Shock           | Method 213, Condition B, 75G @6ms @1/2 sine |
| Vibration       | Method 204, Condition D (20G)               |
| Salt Spray      | Method 101, Condition B, 5% salt solution   |

**Compliance Certifications** (see [product page](#) for current document)

**Plotted and Other Data**

Notes:

Click the following link (or enter part number in "SEARCH" on website) to obtain additional part information including price, inventory and certifications: [SSMC Plug Right Angle Connector Solder Attachment for PE-047SR, PE-SR047AL, PE-SR047FL PE45385](#)



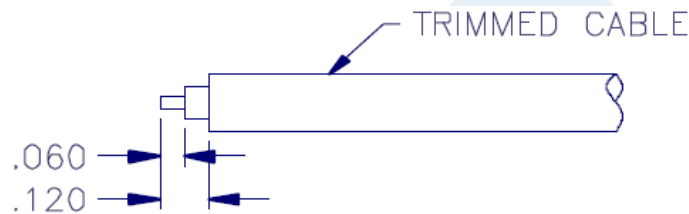
SSMC Plug Right Angle Connector Solder Attachment  
for PE-047SR, PE-SR047AL, PE-SR047FL

RF Connectors Technical Data Sheet

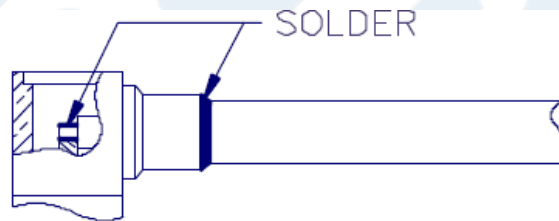
PE45385

**Assembly Instruction**

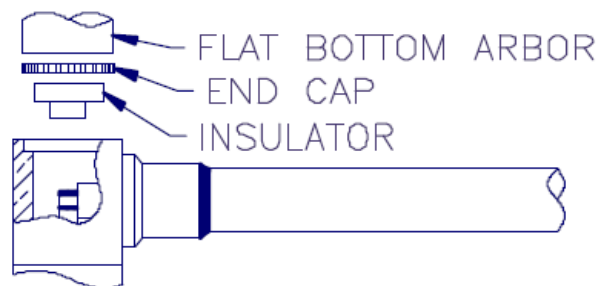
Assembly Instructions



1. TRIM CABLE AS SHOWN ABOVE.
2. INSERT CABLE INTO BODY. CABLE JACKET SHOULD BOTTOM ON STEP INSIDE BODY AND CENTER CONDUCTOR SHOULD LIE IN SLOT OF CONTACT. FIXTURE IN THIS POSITION.



3. SOLDER CENTER CONDUCTOR TO CONTACT.
4. SOLDER CABLE JACKET TO CONNECTOR BODY. DO NOT DISTURB JOINT UNTIL IT HAS COOLED. CLEAN FLUX RESIDUE.



5. PRESS INSULATOR AND END CAP INTO CONNECTOR BODY AND USE A FLAT BOTTOM ARBOR TO PRESS CAP IN PLACE. CAP MUST BE BELOW BODY SURFACE TO SEAT PROPERLY.

Click the following link (or enter part number in "SEARCH" on website) to obtain additional part information including price, inventory and certifications: [SSMC Plug Right Angle Connector Solder Attachment for PE-047SR, PE-SR047AL, PE-SR047FL PE45385](#)



## SSMC Plug Right Angle Connector Solder Attachment for PE-047SR, PE-SR047AL, PE-SR047FL

### RF Connectors Technical Data Sheet

PE45385

SSMC Plug Right Angle Connector Solder Attachment for PE-047SR, PE-SR047AL, PE-SR047FL from Pasternack Enterprises has same day shipment for domestic and International orders. Our RF, microwave and millimeter wave products maintain a 99.4% availability and are part of the broadest selection in the industry.

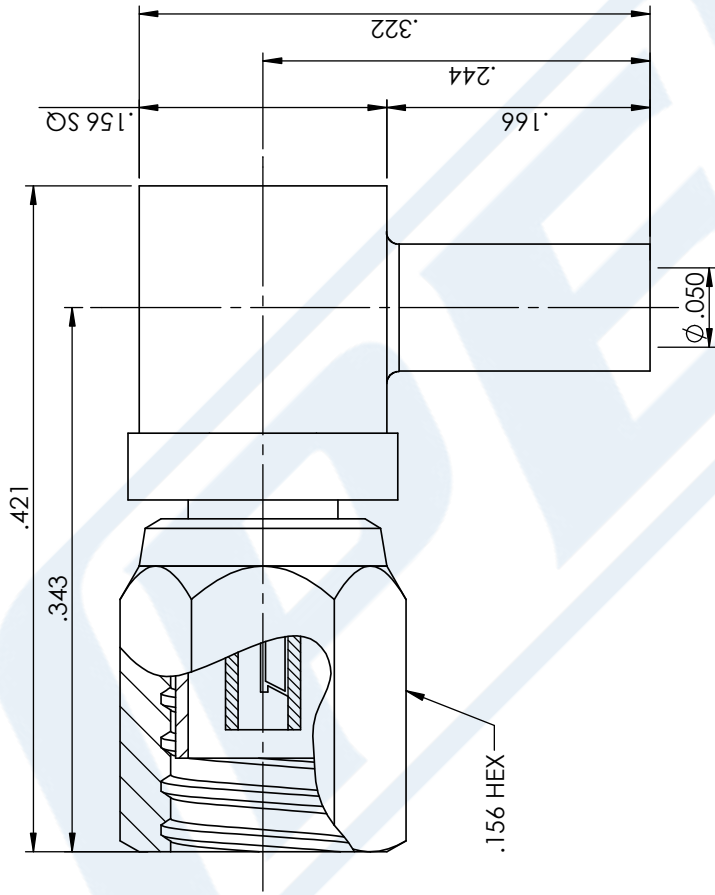
Click the following link (or enter part number in "SEARCH" on website) to obtain additional part information including price, inventory and certifications: [SSMC Plug Right Angle Connector Solder Attachment for PE-047SR, PE-SR047AL, PE-SR047FL PE45385](https://www.pasternack.com/ssmc-plug-pe-047sr-pe-sr047al-pe-sr047fl-connector-pe45385-p.aspx)

URL: <https://www.pasternack.com/ssmc-plug-pe-047sr-pe-sr047al-pe-sr047fl-connector-pe45385-p.aspx>

The information contained in this document is accurate to the best of our knowledge and representative of the part described herein. It may be necessary to make modifications to the part and/or the documentation of the part, in order to implement improvements. Pasternack reserves the right to make such changes as required. Unless otherwise stated, all specifications are nominal. Pasternack does not make any representation or warranty regarding the suitability of the part described herein for any particular purpose, and Pasternack does not assume any liability arising out of the use of any part or documentation.

# PE45385 CAD Drawing

SSMC Plug Right Angle Connector Solder Attachment  
for PE-047SR, PE-SR047AL, PE-SR047FL



### STANDARD TOLERANCES

.X ±0.2  
.XX ±0.01  
.XXX ±0.005

\*STANDARD TOLERANCES APPLY  
ONLY TO DIMENSIONS IN INCHES



Pasternack Enterprises, Inc.  
P.O. Box 16759 | Irvine | CA | 92623  
Phone: (949) 261-1920 | Fax: (949) 261-7451  
Website: www.pasternack.com | E-Mail: sales@pasternack.com

DWG TITLE

PE45385

NOTES:  
1. UNLESS OTHERWISE SPECIFIED ALL DIMENSIONS ARE NOMINAL.  
2. ALL SPECIFICATIONS ARE SUBJECT TO CHANGE WITHOUT NOTICE AT ANY TIME.  
3. DIMENSIONS ARE IN INCHES [mm].

CAGE CODE 53919

CAD FILE 052217

SCALE N/A

SIZE A

GF0006



## SSMC Plug Right Angle Connector Solder Attachment for PE-047SR, PE-SR047AL, PE-SR047FL

### RF Connectors Technical Data Sheet

PE45385

#### Configuration

- SSMC Plug Connector
- Right Angle Body Geometry
- PE-047SR, PE-SR047AL, PE-SR047FL Interface Type
- Solder/Solder Attachment

#### Features

- Max. Operating Frequency 12.4 GHz
- Gold Plated Beryllium Copper Contact
- Contact plating according to MIL-G-45204
- Reliable threaded coupling
- Small SSMC connector form factor (50% smaller than SMA, radially)
- IEC 60169-20 SSMC connector interface
- In stock and ready to ship

#### Applications

- General Purpose Test
- Custom Cable Assemblies
- Avionics
- A/D Modules
- Data Acquisition
- Software defined radio (SDR)
- RADAR/SONAR
- Ultra Wideband Digital Receivers
- Medical equipment

#### Description

Pasternack's PE45385 SSMC plug right angle connector with solder/solder attachment for PE-047SR, PE-SR047AL and PE-SR047FL is part of our full line of RF components available for same-day shipping. Our SSMC plug connector operates up to a maximum frequency of 12.4 GHz. Its right angle body geometry allows for easier connections in tight spaces.

Our SSMC plug right angle connector PE45385 datasheet specifications and drawing with dimensions are shown below in this PDF. Pasternack's broad catalog of RF, microwave and millimeter wave connectors allows designers to configure and customize their signal connections however they like. Whether the need is to provide an I/O for a board design, or simply create a custom cable assembly configuration, Pasternack has the right connector for the job. Pasternack can also expertly build your custom cable assemblies for you and ship same-day.

#### Electrical Specifications

| Description                     | Minimum | Typical | Maximum | Units |
|---------------------------------|---------|---------|---------|-------|
| Frequency Range                 | DC      |         | 12.4    | GHz   |
| Insertion Loss                  |         |         | 0.3     | dB    |
| Operating Voltage (AC)          |         |         | 250     | Vrms  |
| High Potential Voltage<br>5 MHz |         |         | 400     | Vrms  |
| Inner Conductor DC Resistance   |         |         | 4       | mOhms |
| Outer Conductor DC Resistance   |         |         | 1       | mOhms |
| Insulation Resistance           | 1,000   |         |         | MOhms |
| RF Leakage                      | -50     |         |         | dB    |

Click the following link (or enter part number in "SEARCH" on website) to obtain additional part information including price, inventory and certifications: [SSMC Plug Right Angle Connector Solder Attachment for PE-047SR, PE-SR047AL, PE-SR047FL PE45385](#)



SSMC Plug Right Angle Connector Solder Attachment  
for PE-047SR, PE-SR047AL, PE-SR047FL

RF Connectors Technical Data Sheet

PE45385

**Mechanical Specifications**

**Size**

Length 0.421 in [10.69 mm]  
Width/Dia. 0.156 in [3.96 mm]  
Height 0.322 in [8.18 mm]

Mating Cycles 500 Cycles  
Mating Torque 1.75 to 2 in-lbs [0.20 to 0.23 Nm]

**Material Specifications**

| Description  | Material         | Plating             |
|--------------|------------------|---------------------|
| Contact      | Beryllium Copper | Gold<br>MIL-G-45204 |
| Insulation   | Teflon           |                     |
| Body         | Brass            | Gold<br>MIL-G-45204 |
| Coupling Nut | Beryllium Copper | Gold<br>MIL-G-45204 |

**Environmental Specifications**

**Temperature**

Operating Range -65 to +165 deg C  
Shock Method 213, Condition B, 75G @6ms @1/2 sine  
Vibration Method 204, Condition D (20G)  
Salt Spray Method 101, Condition B, 5% salt solution

**Compliance Certifications** (see [product page](#) for current document)

**Plotted and Other Data**

Notes:

Click the following link (or enter part number in "SEARCH" on website) to obtain additional part information including price, inventory and certifications: [SSMC Plug Right Angle Connector Solder Attachment for PE-047SR, PE-SR047AL, PE-SR047FL PE45385](#)



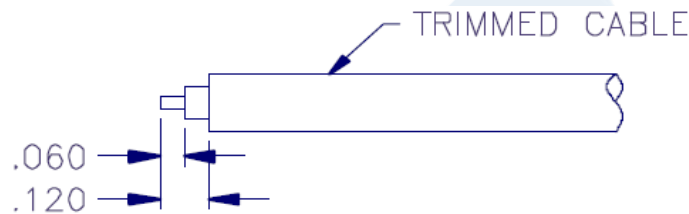
SSMC Plug Right Angle Connector Solder Attachment  
for PE-047SR, PE-SR047AL, PE-SR047FL

RF Connectors Technical Data Sheet

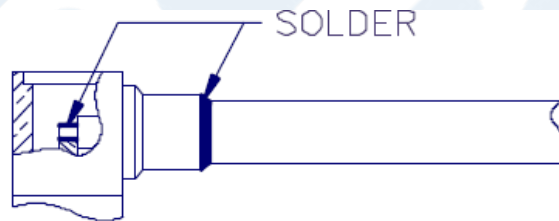
PE45385

**Assembly Instruction**

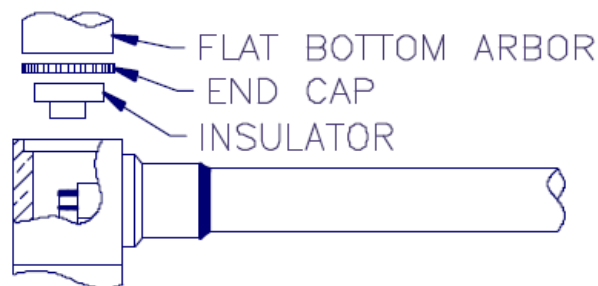
Assembly Instructions



1. TRIM CABLE AS SHOWN ABOVE.
2. INSERT CABLE INTO BODY. CABLE JACKET SHOULD BOTTOM ON STEP INSIDE BODY AND CENTER CONDUCTOR SHOULD LIE IN SLOT OF CONTACT. FIXTURE IN THIS POSITION.



3. SOLDER CENTER CONDUCTOR TO CONTACT.
4. SOLDER CABLE JACKET TO CONNECTOR BODY. DO NOT DISTURB JOINT UNTIL IT HAS COOLED. CLEAN FLUX RESIDUE.



5. PRESS INSULATOR AND END CAP INTO CONNECTOR BODY AND USE A FLAT BOTTOM ARBOR TO PRESS CAP IN PLACE. CAP MUST BE BELOW BODY SURFACE TO SEAT PROPERLY.

Click the following link (or enter part number in "SEARCH" on website) to obtain additional part information including price, inventory and certifications: [SSMC Plug Right Angle Connector Solder Attachment for PE-047SR, PE-SR047AL, PE-SR047FL PE45385](#)



## SSMC Plug Right Angle Connector Solder Attachment for PE-047SR, PE-SR047AL, PE-SR047FL

### RF Connectors Technical Data Sheet

PE45385

SSMC Plug Right Angle Connector Solder Attachment for PE-047SR, PE-SR047AL, PE-SR047FL from Pasternack Enterprises has same day shipment for domestic and International orders. Our RF, microwave and millimeter wave products maintain a 99.4% availability and are part of the broadest selection in the industry.

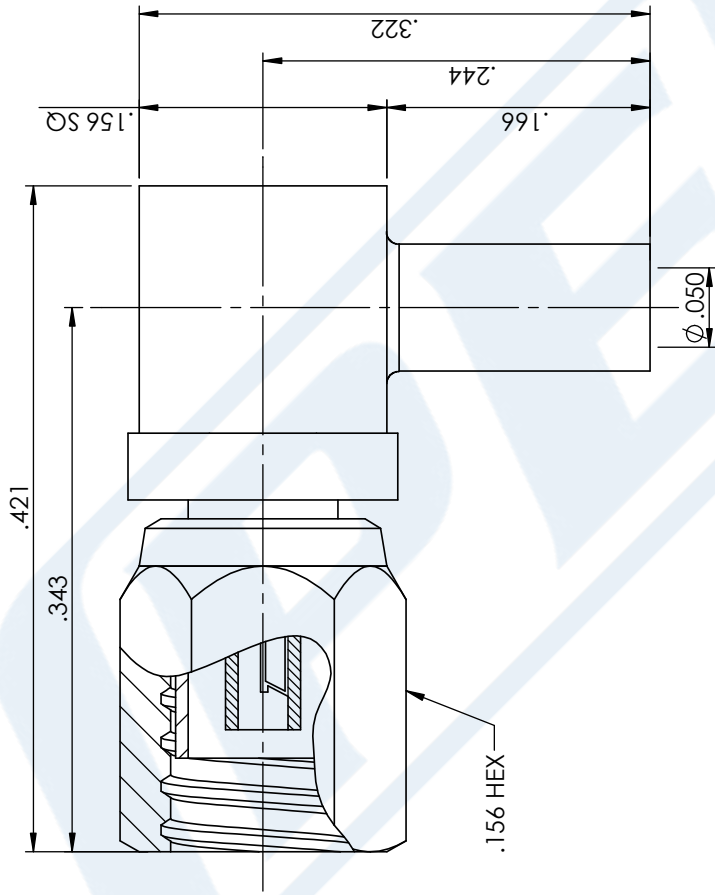
Click the following link (or enter part number in "SEARCH" on website) to obtain additional part information including price, inventory and certifications: [SSMC Plug Right Angle Connector Solder Attachment for PE-047SR, PE-SR047AL, PE-SR047FL PE45385](https://www.pasternack.com/ssmc-plug-pe-047sr-pe-sr047al-pe-sr047fl-connector-pe45385-p.aspx)

URL: <https://www.pasternack.com/ssmc-plug-pe-047sr-pe-sr047al-pe-sr047fl-connector-pe45385-p.aspx>

The information contained in this document is accurate to the best of our knowledge and representative of the part described herein. It may be necessary to make modifications to the part and/or the documentation of the part, in order to implement improvements. Pasternack reserves the right to make such changes as required. Unless otherwise stated, all specifications are nominal. Pasternack does not make any representation or warranty regarding the suitability of the part described herein for any particular purpose, and Pasternack does not assume any liability arising out of the use of any part or documentation.

# PE45385 CAD Drawing

SSMC Plug Right Angle Connector Solder Attachment  
for PE-047SR, PE-SR047AL, PE-SR047FL



### STANDARD TOLERANCES

.X ±0.2  
.XX ±0.01  
.XXX ±0.005

\*STANDARD TOLERANCES APPLY  
ONLY TO DIMENSIONS IN INCHES



Pasternack Enterprises, Inc.  
P.O. Box 16759 | Irvine | CA | 92623  
Phone: (949) 261-1920 | Fax: (949) 261-7451  
Website: www.pasternack.com | E-Mail: sales@pasternack.com

DWG TITLE

PE45385

CAGE CODE 53919

NOTES:  
1. UNLESS OTHERWISE SPECIFIED ALL DIMENSIONS ARE NOMINAL.  
2. ALL SPECIFICATIONS ARE SUBJECT TO CHANGE WITHOUT NOTICE AT ANY TIME.  
3. DIMENSIONS ARE IN INCHES [mm].

CAD FILE 052217

SCALE N/A

SIZE A

GF0006

## 047 Semi-rigid Coax Cable with Copper Outer Conductor

### TECHNICAL DATA SHEET

PE-047SR

#### Configuration

|                                      |                           |
|--------------------------------------|---------------------------|
| Inner Conductor Material and Plating | Copper Clad Steel, Silver |
| Dielectric Type                      | PTFE                      |
| Shield Materials                     | Copper                    |

#### Electrical Specifications

|                                       |       |
|---------------------------------------|-------|
| Impedance, Ohms                       | 50    |
| Maximum Operating Frequency, GHz      | 40    |
| Dielectric Withstanding Voltage, Vrms | 2,000 |

#### Electrical Specifications by Frequency

##### Frequency 1

|                                 |             |
|---------------------------------|-------------|
| Frequency, MHz                  | 1000        |
| Attenuation, dB/100ft [dB/100m] | 40 [131.23] |
| Power Handling, Watts           | 32          |

##### Frequency 2

|                                 |              |
|---------------------------------|--------------|
| Frequency, GHz                  | 10           |
| Attenuation, dB/100ft [dB/100m] | 130 [426.51] |
| Power Handling, Watts           | 9            |

##### Frequency 3

|                                 |              |
|---------------------------------|--------------|
| Frequency, GHz                  | 20           |
| Attenuation, dB/100ft [dB/100m] | 190 [623.36] |
| Power Handling, Watts           | 6.5          |

#### Mechanical Specifications

##### Temperature

|                        |             |
|------------------------|-------------|
| Operating Range, deg C | -55 to +100 |
|------------------------|-------------|

##### Inner Conductor

|                   |                   |
|-------------------|-------------------|
| Number of Strands | 1                 |
| Material          | Copper Clad Steel |
| Plating           | Silver            |
| Diameter, in [mm] | 0.011 [0.28]      |

##### Dielectric:

|                   |              |
|-------------------|--------------|
| Type              | PTFE         |
| Diameter, in [mm] | 0.037 [0.94] |

##### Shield:

|                   |              |
|-------------------|--------------|
| Number of         | 1            |
| Material 1        | Copper       |
| Diameter, in [mm] | 0.047 [1.19] |

Click the following link (or enter part number in "SEARCH" on website) to obtain additional part information including price, inventory and certifications: [047 Semi-rigid Coax Cable with Copper Outer Conductor PE-047SR](#)

## 047 Semi-rigid Coax Cable with Copper Outer Conductor

## TECHNICAL DATA SHEET

PE-047SR

**Jacket:**

|                                       |              |
|---------------------------------------|--------------|
| Diameter, in [mm]                     | 0.047 [1.19] |
| One Time Minimum Bend Radius, in [mm] | 0.05 [1.27]  |
| Weight, lbs/ft [Kg/m]                 | 0.005 [0.01] |

**Compliance Certifications** (visit [www.Pasternack.com](http://www.Pasternack.com) for current document)

|                 |            |
|-----------------|------------|
| RoHS Compliant  |            |
| REACH Compliant | 12/19/2011 |

**Plotted and Other Data**

## Notes:

- Values at +25 °C, sea level

047 Semi-rigid Coax Cable with Copper Outer Conductor from Pasternack Enterprises has same day shipment for domestic and International orders. Our RF, microwave and millimeter wave products maintain a 99% availability and are part of the broadest selection in the industry.

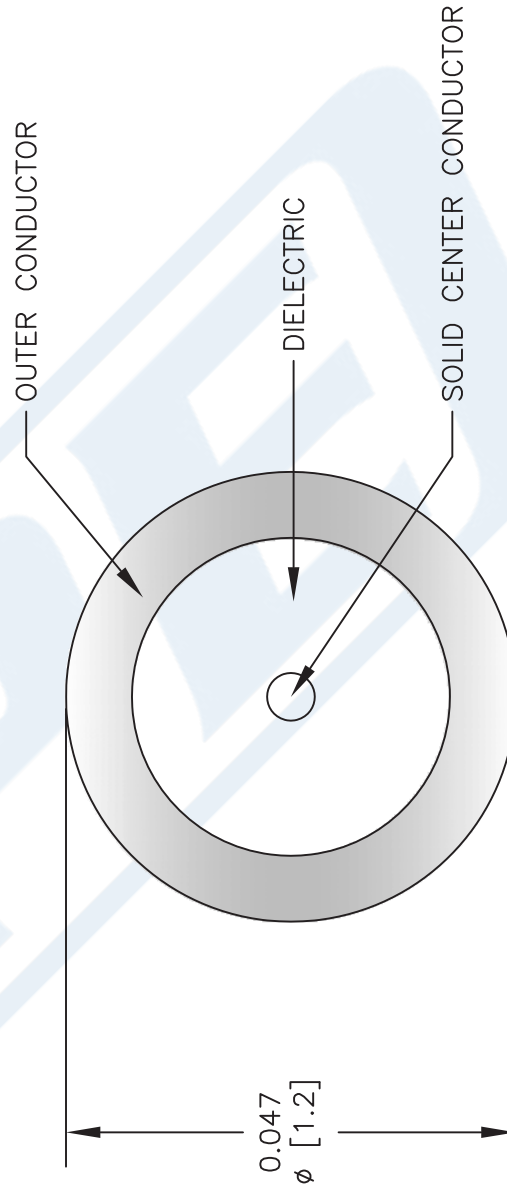
Click the following link (or enter part number in "SEARCH" on website) to obtain additional part information including price, inventory and certifications: [047 Semi-rigid Coax Cable with Copper Outer Conductor PE-047SR](http://www.pasternack.com/semirigid-0.047-50-ohm-coax-cable-copper-pe-047sr)

URL: <http://www.pasternack.com/semirigid-0.047-50-ohm-coax-cable-copper-pe-047sr-p.aspx>

The information contained in this document is accurate to the best of our knowledge and representative of the part described herein. It may be necessary to make modifications to the part and/or the documentation of the part, in order to implement improvements. Pasternack reserves the right to make such changes as required. Unless otherwise stated, all specifications are nominal. Pasternack does not make any representation or warranty regarding the suitability of the part described herein for any particular purpose, and Pasternack does not assume any liability arising out of the use of any part or documentation.

# PE-047SR CAD Drawing

047 Semi-rigid Coax Cable with Copper Outer Conductor



NOTES:  
 1. UNLESS OTHERWISE SPECIFIED ALL DIMENSIONS ARE NOMINAL.  
 2. ALL SPECIFICATIONS ARE SUBJECT TO CHANGE WITHOUT NOTICE AT ANY TIME.  
 3. DIMENSIONS ARE IN INCHES [mm].

DWG TITLE  
**PE-047SR**

FSCM NO. 53919

CAD FILE 073113

SCALE N/A

SIZE A

2233



**PASTERNAK**<sup>®</sup>  
 Pasternack Enterprises, Inc.  
 P.O. Box 16759 | Irvine | CA | 92623  
**Phone:** (949) 261-1920 | **Fax:** (949) 261-7451  
**Website:** [www.pasternack.com](http://www.pasternack.com) | **E-Mail:** [sales@pasternack.com](mailto:sales@pasternack.com)