



1.85mm Male Precision Connector Clamp/Solder Attachment For PE-047SR, PE-SR047AL, PE-SR047FL

TECHNICAL DATA SHEET

PE44799

**1.85mm Male Precision Connector Clamp/Solder Attachment For PE-047SR, PE-SR047AL, PE-SR047FL**

**Configuration**

|  |                                  |
|--|----------------------------------|
| Connector                                | 1.85mm Male                      |
| Connector Interface Type                 | PE-047SR, PE-SR047AL, PE-SR047FL |
| Cable Attachment Method (Shield/Contact) | Clamp/Solder                     |
| Connector Design                         | Precision                        |
| Body Style                               | Straight                         |

**Electrical Specifications**

|                      |          |
|----------------------|----------|
| Frequency Range, GHz | DC to 65 |
| Impedance, Ohms      | 50       |
| Maximum VSWR         | 1.35:1   |

**Mechanical Specifications**

**Size**

|                     |               |
|---------------------|---------------|
| Length, in [mm]     | 0.585 [14.86] |
| Width/Dia., in [mm] | 0.35 [8.89]   |

**Connector**

|                                    |                            |
|------------------------------------|----------------------------|
| Type                               | 1.85mm Male                |
| Contact Material and Plating       | Beryllium Copper, Gold     |
| Contact Plating Specification      | 50µ Inches.                |
| Coupling Nut Material and Plating  | Passivated Stainless Steel |
| Coupling Nut Plating Specification | SAE-AMS-2700               |
| Hex Size, Inch                     | 5/16                       |
| Torque, in-lbs [Nm]                | 8 [0.9]                    |
| Body Material and Plating          | Passivated Stainless Steel |
| Body Plating Specification         | SAE-AMS-2700               |
| Dielectric Type                    | PEI                        |

**Compliance Certifications** (visit [www.Pasternack.com](http://www.Pasternack.com) for current document)

|                |     |
|----------------|-----|
| RoHS Compliant | Yes |
|----------------|-----|

Click the following link (or enter part number in "SEARCH" on website) to obtain additional part information including price, inventory and certifications: [1.85mm Male Precision Connector Clamp/Solder Attachment For PE-047SR, PE-SR047AL, PE-SR047FL PE44799](#)

The information contained in this document is accurate to the best of our knowledge and representative of the part described herein. It may be necessary to make modifications to the part and/or the documentation of the part, in order to implement improvements. Pasternack reserves the right to make such changes as required. Unless otherwise stated, all specifications are nominal.



1.85mm Male Precision Connector Clamp/Solder  
Attachment For PE-047SR, PE-SR047AL, PE-SR047FL

TECHNICAL DATA SHEET

PE44799

**Plotted and Other Data**

Notes:

Values at 25 °C, sea level

1.85mm Male Precision Connector Clamp/Solder Attachment For PE-047SR, PE-SR047AL, PE-SR047FL from Pasternack Enterprises has same day shipment for domestic and International orders. Our RF, microwave and fiber optic products maintain a 99% availability and are part of the broadest selection in the industry.

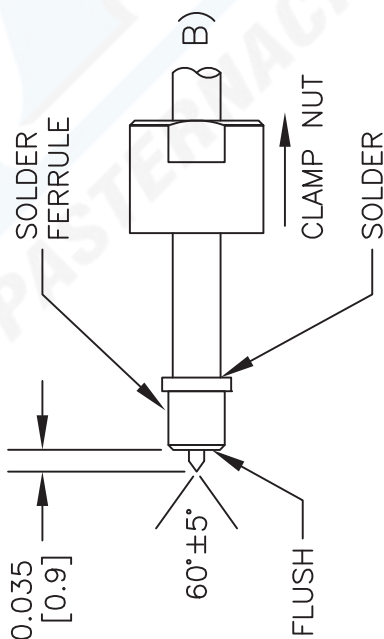
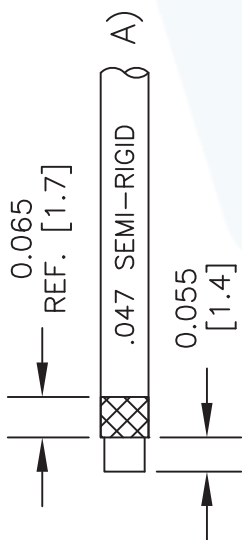
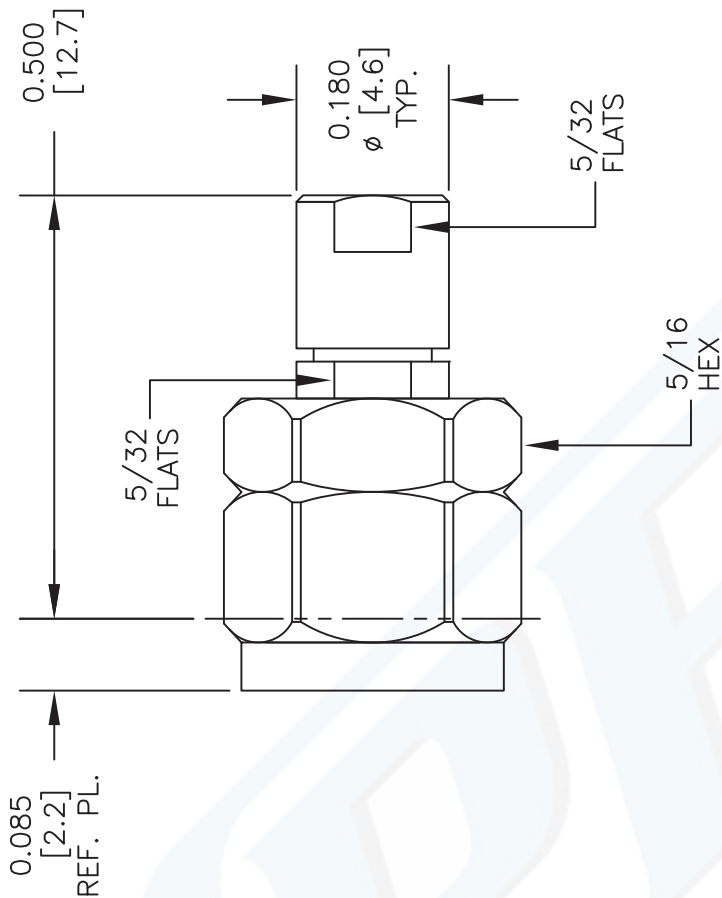
Click the following link (or enter part number in "SEARCH" on website) to obtain additional part information including price, inventory and certifications: [1.85mm Male Precision Connector Clamp/Solder Attachment For PE-047SR, PE-SR047AL, PE-SR047FL PE44799](http://www.pasternack.com/1.85mm-male-precision-connector-clamp-solder-attachment-for-pe-047sr-pe-sr047al-pe-sr047fl-pe44799)

URL: <http://www.pasternack.com/1.85mm-male-standard-pe-047sr-pe-sr047al-pe-sr047fl-connector-pe44799-p.aspx>

The information contained in this document is accurate to the best of our knowledge and representative of the part described herein. It may be necessary to make modifications to the part and/or the documentation of the part, in order to implement improvements. Pasternack reserves the right to make such changes as required. Unless otherwise stated, all specifications are nominal.

# PE44799 CAD Drawing

1.85mm Male Precision Connector Clamp/Solder Attachment  
For PE-047SR, PE-SR047AL, PE-SR047FL



## STRIPPING DIMENSIONS

## ASSEMBLY PROCEDURES

1. STRIP CABLE AS SHOWN IN (A). DO NOT NICK DIELECTRIC.
2. PRE-TIN CABLE JACKET TO APPROXIMATE DIMENSION AS SHOWN IN (A).
3. INSERT CABLE THRU ADAPTER UNTIL IT BOTTOMS OUT. SOLDER OUTER CONDUCTOR TO ADAPTER & TRIM DIELECTRIC AS SHOWN IN (B).
4. SCREW ASSEMBLY INTO BODY & TIGHTEN NUT.

DWG TITLE

**PE44799**

NOTES:  
1. UNLESS OTHERWISE SPECIFIED ALL DIMENSIONS ARE NOMINAL.  
2. ALL SPECIFICATIONS ARE SUBJECT TO CHANGE WITHOUT NOTICE AT ANY TIME.  
3. DIMENSIONS ARE IN INCHES [mm].  
4. FITS MIL-C-17 AND EQUIVALENT CABLES.

FSCM NO. 53919

CAD FILE 042413

SCALE N/A

SIZE A

2233



**PASTERNAK**  
Pasternack Enterprises, Inc.  
P.O. Box 16759 | Irvine | CA | 92623  
Phone: (949) 261-1920 | Fax: (949) 261-7451  
Website: www.pasternack.com | E-Mail: sales@pasternack.com



1.85mm Male Precision Connector Clamp/Solder  
Attachment For PE-047SR, PE-SR047AL, PE-SR047FL

TECHNICAL DATA SHEET

PE44799

**1.85mm Male Precision Connector Clamp/Solder Attachment For PE-047SR, PE-SR047AL, PE-SR047FL**

**Configuration**

|  |                                  |
|--|----------------------------------|
| Connector                                | 1.85mm Male                      |
| Connector Interface Type                 | PE-047SR, PE-SR047AL, PE-SR047FL |
| Cable Attachment Method (Shield/Contact) | Clamp/Solder                     |
| Connector Design                         | Precision                        |
| Body Style                               | Straight                         |

**Electrical Specifications**

|                      |          |
|----------------------|----------|
| Frequency Range, GHz | DC to 65 |
| Impedance, Ohms      | 50       |
| Maximum VSWR         | 1.35:1   |

**Mechanical Specifications**

**Size**

|                     |               |
|---------------------|---------------|
| Length, in [mm]     | 0.585 [14.86] |
| Width/Dia., in [mm] | 0.35 [8.89]   |

**Connector**

|                                    |                            |
|------------------------------------|----------------------------|
| Type                               | 1.85mm Male                |
| Contact Material and Plating       | Beryllium Copper, Gold     |
| Contact Plating Specification      | 50µ Inches.                |
| Coupling Nut Material and Plating  | Passivated Stainless Steel |
| Coupling Nut Plating Specification | SAE-AMS-2700               |
| Hex Size, Inch                     | 5/16                       |
| Torque, in-lbs [Nm]                | 8 [0.9]                    |
| Body Material and Plating          | Passivated Stainless Steel |
| Body Plating Specification         | SAE-AMS-2700               |
| Dielectric Type                    | PEI                        |

**Compliance Certifications** (visit [www.Pasternack.com](http://www.Pasternack.com) for current document)

|                |     |
|----------------|-----|
| RoHS Compliant | Yes |
|----------------|-----|

Click the following link (or enter part number in "SEARCH" on website) to obtain additional part information including price, inventory and certifications: [1.85mm Male Precision Connector Clamp/Solder Attachment For PE-047SR, PE-SR047AL, PE-SR047FL PE44799](#)

The information contained in this document is accurate to the best of our knowledge and representative of the part described herein. It may be necessary to make modifications to the part and/or the documentation of the part, in order to implement improvements. Pasternack reserves the right to make such changes as required. Unless otherwise stated, all specifications are nominal.



1.85mm Male Precision Connector Clamp/Solder  
Attachment For PE-047SR, PE-SR047AL, PE-SR047FL

TECHNICAL DATA SHEET

PE44799

**Plotted and Other Data**

Notes:

Values at 25 °C, sea level

1.85mm Male Precision Connector Clamp/Solder Attachment For PE-047SR, PE-SR047AL, PE-SR047FL from Pasternack Enterprises has same day shipment for domestic and International orders. Our RF, microwave and fiber optic products maintain a 99% availability and are part of the broadest selection in the industry.

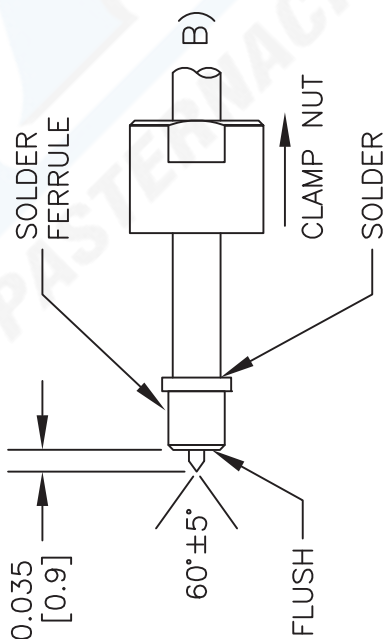
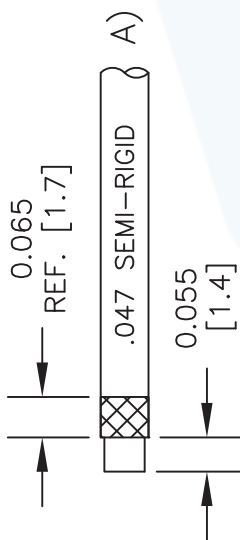
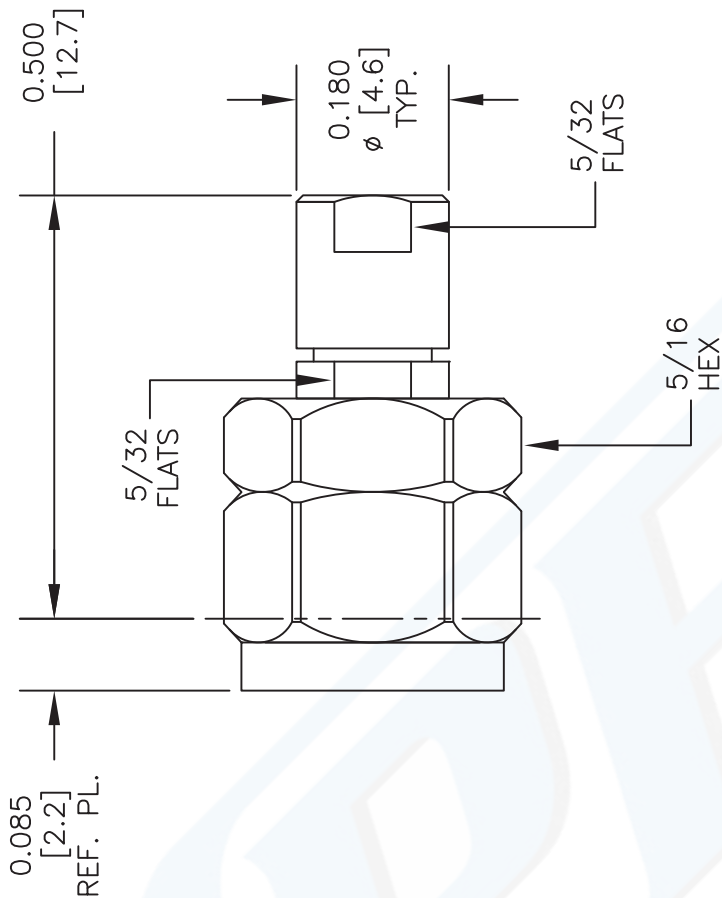
Click the following link (or enter part number in "SEARCH" on website) to obtain additional part information including price, inventory and certifications: [1.85mm Male Precision Connector Clamp/Solder Attachment For PE-047SR, PE-SR047AL, PE-SR047FL PE44799](http://www.pasternack.com/1.85mm-male-precision-connector-clamp-solder-attachment-for-pe-047sr-pe-sr047al-pe-sr047fl-pe44799)

URL: <http://www.pasternack.com/1.85mm-male-standard-pe-047sr-pe-sr047al-pe-sr047fl-connector-pe44799-p.aspx>

The information contained in this document is accurate to the best of our knowledge and representative of the part described herein. It may be necessary to make modifications to the part and/or the documentation of the part, in order to implement improvements. Pasternack reserves the right to make such changes as required. Unless otherwise stated, all specifications are nominal.

# PE44799 CAD Drawing

1.85mm Male Precision Connector Clamp/Solder Attachment  
For PE-047SR, PE-SR047AL, PE-SR047FL



## STRIPPING DIMENSIONS

## ASSEMBLY PROCEDURES

1. STRIP CABLE AS SHOWN IN (A). DO NOT NICK DIELECTRIC.
2. PRE-TIN CABLE JACKET TO APPROXIMATE DIMENSION AS SHOWN IN (A).
3. INSERT CABLE THRU ADAPTER UNTIL IT BOTTOMS OUT. SOLDER OUTER CONDUCTOR TO ADAPTER & TRIM DIELECTRIC AS SHOWN IN (B).
4. SCREW ASSEMBLY INTO BODY & TIGHTEN NUT.

DWG TITLE

**PE44799**

NOTES:  
1. UNLESS OTHERWISE SPECIFIED ALL DIMENSIONS ARE NOMINAL.  
2. ALL SPECIFICATIONS ARE SUBJECT TO CHANGE WITHOUT NOTICE AT ANY TIME.  
3. DIMENSIONS ARE IN INCHES [mm].  
4. FITS MIL-C-17 AND EQUIVALENT CABLES.

FSCM NO. 53919

CAD FILE 042413

SCALE N/A

SIZE A

2233



**PASTERNAK**  
Pasternack Enterprises, Inc.  
P.O. Box 16759 | Irvine | CA | 92623  
Phone: (949) 261-1920 | Fax: (949) 261-7451  
Website: www.pasternack.com | E-Mail: sales@pasternack.com

# Formable 047 Semi-rigid Coax Cable with Tinned Copper Braid Outer Conductor

## RF Cables Technical Data Sheet

PE-SR047FL

### Configuration

- Formable Cable
- 1 Shield(s)

### Features

- Dimensionally and electrically the same as standard, solid outer conductor semi-rigid coax
- May be formed by hand and does not require special tools to bend
- May be formed more than once without damaging the outer conductor
- Tinned Copper Braid Outer Conductor
- Max Frequency 20 GHz

### Applications

- Test and Measurement
- Communication Systems
- Wireless Systems
- Medical Equipment
- RADAR
- Low Loss Applications

### Description

Formable semi-rigid coaxial cable is a hand formable version of standard semi-rigid that does not require complicated and costly preformed cable assemblies. Because the dimensions and electrical characteristics are so closely matched to semi-rigid coax, standard semi-rigid connectors can be used. Pasternack's PE-SR047FL is a formable .047 semi-rigid coax cable with tinned copper braid outer conductor, providing low loss and excellent RF shielding effectiveness. This semi-flexible cable has an FEP jacket to reduce the chance of shorting exposed contacts or circuit conductors. Pasternack's formable cable can be used as an alternative to semi-rigid coaxial cable in applications where flexibility is required without giving up high electrical performance level. PE-SR047FL datasheet specifications and outline drawing for this .047 semi-flexible hand formable cable are shown in the PDF below.

Pasternack carries a wide range of cables ready to ship same day to fit your needs. They are available in corrugated, flexible, formable or semi-rigid versions with different constructions of conductor materials, dielectric materials, shielding configurations and jacket materials. Our cables are designed to fit a wide range of performance criteria including attenuation, operating temperature, environmental factor, and power capability.

### Electrical Specifications

| Description                   | Minimum | Typical     | Maximum | Units        |
|-------------------------------|---------|-------------|---------|--------------|
| Frequency Range               | DC      |             | 20      | GHz          |
| Impedance                     |         | 50          |         | Ohms         |
| Velocity of Propagation       |         | 69.5        |         | %            |
| Inner Conductor DC Resistance |         |             | 207     | Ohms/1000ft  |
| Outer Conductor DC Resistance |         |             | 8       | Ohms/1000ft  |
| Nominal Capacitance           |         | 32 [104.99] |         | pF/ft [pF/m] |

Click the following link (or enter part number in "SEARCH" on website) to obtain additional part information including price, inventory and certifications: [Formable 047 Semi-rigid Coax Cable with Tinned Copper Braid Outer Conductor PE-SR047FL](#)



# Formable 047 Semi-rigid Coax Cable with Tinned Copper Braid Outer Conductor

## RF Cables Technical Data Sheet

PE-SR047FL

### Performance by Frequency Band

| Description      | F1    | F2     | F3     | F4     | F5     | Units    |
|------------------|-------|--------|--------|--------|--------|----------|
| Frequency        | 0.5   | 1      | 3      | 5      | 10     | GHz      |
| Attenuation, Typ | 25    | 36     | 65     | 86     | 128    | dB/100ft |
|                  | 82.02 | 118.11 | 213.25 | 282.15 | 419.95 | dB/100m  |

| Description      | F6    | F7     | F8 | F9 | F10 | Units    |
|------------------|-------|--------|----|----|-----|----------|
| Frequency        | 15    | 20     |    |    |     | GHz      |
| Attenuation, Typ | 162   | 192    |    |    |     | dB/100ft |
|                  | 531.5 | 629.92 |    |    |     | dB/100m  |

### Mechanical Specifications

#### Construction Specifications

| Description     | Material and Plating       | Diameter         |
|-----------------|----------------------------|------------------|
| Inner Conductor | Copper Clad Steel, Silver1 | 0.011 in 0.28 mm |
| Conductor Type  | Solid                      |                  |
| Dielectric      | PTFE                       | 0.034 in 0.86 mm |
| Outer Conductor | Tinned Copper Braid        | 0.047 in 1.19 mm |

### Environmental Specifications

#### Temperature

Operating Range -40 to +100 deg C

Click the following link (or enter part number in "SEARCH" on website) to obtain additional part information including price, inventory and certifications: [Formable 047 Semi-rigid Coax Cable with Tinned Copper Braid Outer Conductor PE-SR047FL](#)

## Formable 047 Semi-rigid Coax Cable with Tinned Copper Braid Outer Conductor

### RF Cables Technical Data Sheet

PE-SR047FL

**Compliance Certifications** (see [product page](#) for current document)

#### Plotted and Other Data

Notes:

Formable 047 Semi-rigid Coax Cable with Tinned Copper Braid Outer Conductor from Pasternack Enterprises has same day shipment for domestic and International orders. Our RF, microwave and millimeter wave products maintain a 99.4% availability and are part of the broadest selection in the industry.

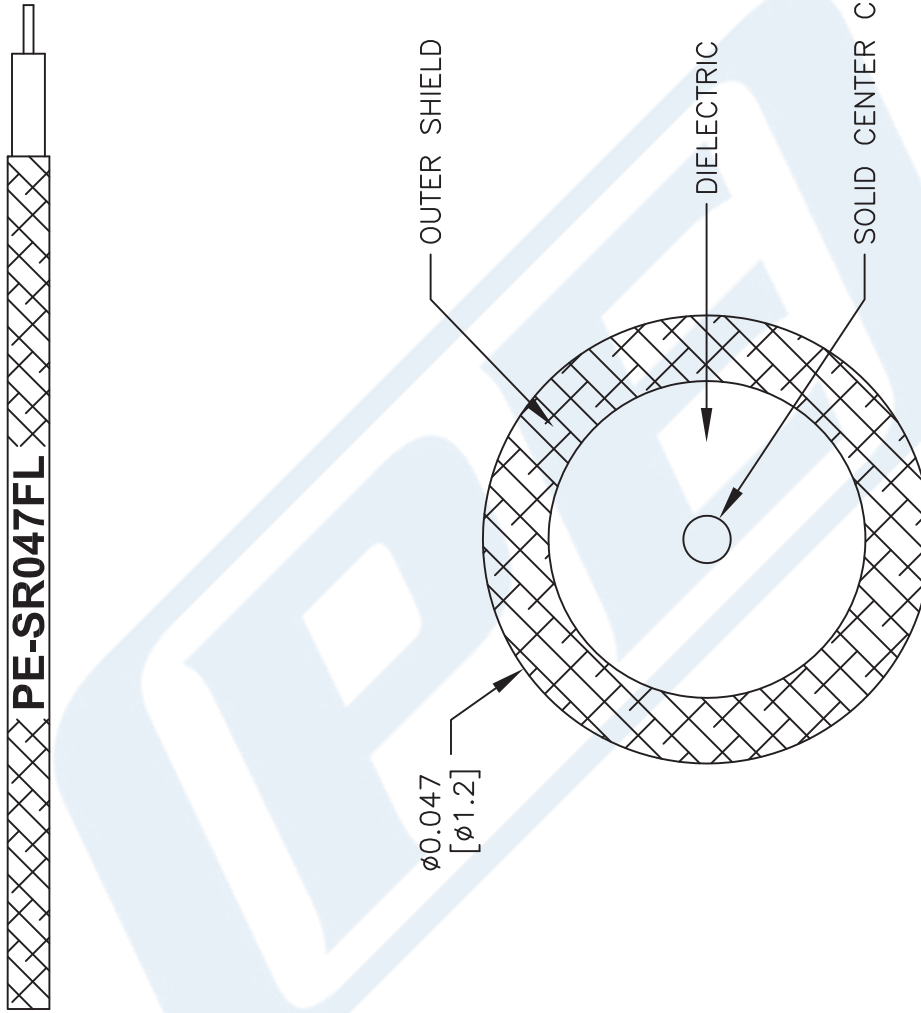
Click the following link (or enter part number in "SEARCH" on website) to obtain additional part information including price, inventory and certifications: [Formable 047 Semi-rigid Coax Cable with Tinned Copper Braid Outer Conductor PE-SR047FL](#)

URL: <https://www.pasternack.com/formable-0.047-semirigid-replacement-50-ohm-coax-cable-tinned-braid-pe-sr047fl-p.aspx>

The information contained in this document is accurate to the best of our knowledge and representative of the part described herein. It may be necessary to make modifications to the part and/or the documentation of the part, in order to implement improvements. Pasternack reserves the right to make such changes as required. Unless otherwise stated, all specifications are nominal. Pasternack does not make any representation or warranty regarding the suitability of the part described herein for any particular purpose, and Pasternack does not assume any liability arising out of the use of any part or documentation.

# PE-SR047FL CAD Drawing

Formable 047 Semi-rigid Coax Cable with Tinned Copper Braid Outer Conductor



NOTES:  
 1. UNLESS OTHERWISE SPECIFIED ALL DIMENSIONS ARE NOMINAL.  
 2. ALL SPECIFICATIONS ARE SUBJECT TO CHANGE WITHOUT NOTICE AT ANY TIME.  
 3. DIMENSIONS ARE IN INCHES [mm].

DWG TITLE  
**PE-SR047FL**

41742

SIZE A

SCALE N/A

CAD FILE 111716

FSCM NO. 53919

**PE PASTERNAK**  
 THE ENGINEER'S RF SOURCE  
 Pasternack Enterprises, Inc.  
 P.O. Box 16759 | Irvine | CA | 92623  
 Phone: (949) 261-1920 | Fax: (949) 261-7451  
 Website: www.pasternack.com | E-Mail: sales@pasternack.com