



## 75 Ohm SMB Jack Connector Crimp/Solder Attachment for PE-B150, RG180, RG195

### RF Connectors Technical Data Sheet

PE4163

#### Configuration

- SMB Jack Connector
- MIL-STD-348
- 75 Ohms
- Straight Body Geometry
- PE-B150, RG180, RG195 Interface Type
- Crimp/Solder Attachment

#### Features

- Gold Plated Contact
- Contact plating according to MIL-G-45204

#### Applications

- General Purpose Test
- Custom Cable Assemblies

#### Description

Pasternack's PE4163 75 ohm SMB jack connector with crimp/solder attachment for PE-B150, RG180 and RG195 is part of our full line of RF components available for same-day shipping.

Our 75 ohm SMB jack connector PE4163 datasheet specifications and drawing with dimensions are shown below in this PDF. Pasternack's broad catalog of RF, microwave and millimeter wave connectors allows designers to configure and customize their signal connections however they like. Whether the need is to provide an I/O for a board design, or simply create a custom cable assembly configuration, Pasternack has the right connector for the job. Pasternack can also expertly build your custom cable assemblies for you and ship same-day.

#### Mechanical Specifications

##### Size

|            |                    |
|------------|--------------------|
| Length     | 1.02 in [25.91 mm] |
| Width/Dia. | 0.345 in [8.76 mm] |
| Weight     | 0.013 lbs [5.9 g]  |

##### Material Specifications

| Description | Material | Plating             |
|-------------|----------|---------------------|
| Contact     |          | Gold<br>MIL-G-45204 |
| Insulation  | PTFE     |                     |
| Body        | Brass    | Nickel<br>QQ-N-290  |

Click the following link (or enter part number in "SEARCH" on website) to obtain additional part information including price, inventory and certifications: [75 Ohm SMB Jack Connector Crimp/Solder Attachment for PE-B150, RG180, RG195 PE4163](#)



75 Ohm SMB Jack Connector Crimp/Solder  
Attachment for PE-B150, RG180, RG195

RF Connectors Technical Data Sheet

PE4163

**Compliance Certifications** (see [product page](#) for current document)

**Plotted and Other Data**

Notes:

75 Ohm SMB Jack Connector Crimp/Solder Attachment for PE-B150, RG180, RG195 from Pasternack Enterprises has same day shipment for domestic and International orders. Our RF, microwave and millimeter wave products maintain a 99% availability and are part of the broadest selection in the industry.

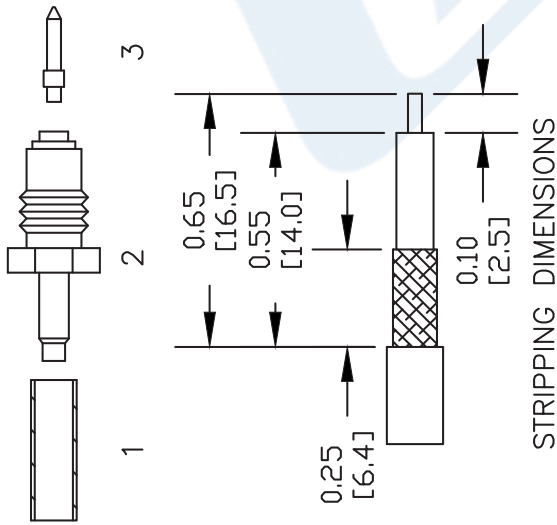
Click the following link (or enter part number in "SEARCH" on website) to obtain additional part information including price, inventory and certifications: [75 Ohm SMB Jack Connector Crimp/Solder Attachment for PE-B150, RG180, RG195 PE4163](#)

URL: <https://www.pasternack.com/smb-jack-standard-rg180-rg195-connector-pe4163-p.aspx>

The information contained in this document is accurate to the best of our knowledge and representative of the part described herein. It may be necessary to make modifications to the part and/or the documentation of the part, in order to implement improvements. Pasternack reserves the right to make such changes as required. Unless otherwise stated, all specifications are nominal. Pasternack does not make any representation or warranty regarding the suitability of the part described herein for any particular purpose, and Pasternack does not assume any liability arising out of the use of any part or documentation.

# PE4163 CAD Drawing

75 Ohm SMB Jack Connector Crimp/Solder Attachment for PE-B150, RG180, RG195



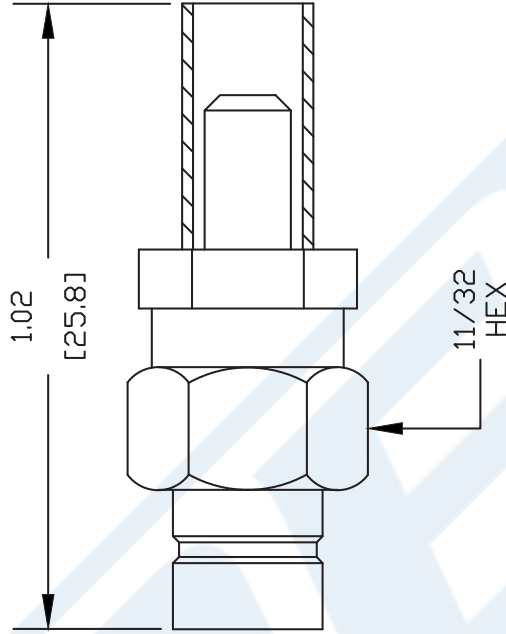
STRIPPING DIMENSIONS

### ASSEMBLY PROCEDURES

1. STRIP CABLE AS SHOWN & SLIDE FERRULE (1) ONTO CABLE. TIN CENTER CONDUCTOR.
2. ADD CRIMP NUT (2) SLIDING EXTENSION BETWEEN BRAID & DIELECTRIC. SLIDE FERRULE (1) OVER BRAID & AGAINST CRIMP NUT (2).
3. SOLDER CONTACT (3) TO CENTER CONDUCTOR.
4. THREAD CRIMP NUT (2) INTO BODY & TIGHTEN. CRIMP FERRULE (1).

### CRIMP SIZE REQUIRED

CONTACT: SOLDER  
 FERRULE: .178" HEX CRIMP TOOL



DWG TITLE

**PE4163**

- NOTES:
1. UNLESS OTHERWISE SPECIFIED ALL DIMENSIONS ARE NOMINAL.
  2. ALL SPECIFICATIONS ARE SUBJECT TO CHANGE WITHOUT NOTICE AT ANY TIME.
  3. DIMENSIONS ARE IN INCHES [mm].
  4. FITS MIL-C-17 AND EQUIVALENT CABLES.

REV. -

FSCM NO. 53919

CAD FILE 042309

SCALE N/A

SIZE A

147



**PASTERNAK**<sup>®</sup>  
 Pasternack Enterprises, Inc.  
 P.O. Box 16759 | Irvine | CA | 92623  
 Phone: (949) 261-1920 | Fax: (949) 261-7451  
 Website: www.pasternack.com | E-Mail: sales@pasternack.com



## 75 Ohm SMB Jack Connector Crimp/Solder Attachment for PE-B150, RG180, RG195

### RF Connectors Technical Data Sheet

PE4163

#### Configuration

- SMB Jack Connector
- MIL-STD-348
- 75 Ohms
- Straight Body Geometry
- PE-B150, RG180, RG195 Interface Type
- Crimp/Solder Attachment

#### Features

- Gold Plated Contact
- Contact plating according to MIL-G-45204

#### Applications

- General Purpose Test
- Custom Cable Assemblies

#### Description

Pasternack's PE4163 75 ohm SMB jack connector with crimp/solder attachment for PE-B150, RG180 and RG195 is part of our full line of RF components available for same-day shipping.

Our 75 ohm SMB jack connector PE4163 datasheet specifications and drawing with dimensions are shown below in this PDF. Pasternack's broad catalog of RF, microwave and millimeter wave connectors allows designers to configure and customize their signal connections however they like. Whether the need is to provide an I/O for a board design, or simply create a custom cable assembly configuration, Pasternack has the right connector for the job. Pasternack can also expertly build your custom cable assemblies for you and ship same-day.

#### Mechanical Specifications

##### Size

|            |                    |
|------------|--------------------|
| Length     | 1.02 in [25.91 mm] |
| Width/Dia. | 0.345 in [8.76 mm] |
| Weight     | 0.013 lbs [5.9 g]  |

##### Material Specifications

| Description | Material | Plating             |
|-------------|----------|---------------------|
| Contact     |          | Gold<br>MIL-G-45204 |
| Insulation  | PTFE     |                     |
| Body        | Brass    | Nickel<br>QQ-N-290  |

Click the following link (or enter part number in "SEARCH" on website) to obtain additional part information including price, inventory and certifications: [75 Ohm SMB Jack Connector Crimp/Solder Attachment for PE-B150, RG180, RG195 PE4163](#)



75 Ohm SMB Jack Connector Crimp/Solder  
Attachment for PE-B150, RG180, RG195

RF Connectors Technical Data Sheet

PE4163

**Compliance Certifications** (see [product page](#) for current document)

**Plotted and Other Data**

Notes:

75 Ohm SMB Jack Connector Crimp/Solder Attachment for PE-B150, RG180, RG195 from Pasternack Enterprises has same day shipment for domestic and International orders. Our RF, microwave and millimeter wave products maintain a 99% availability and are part of the broadest selection in the industry.

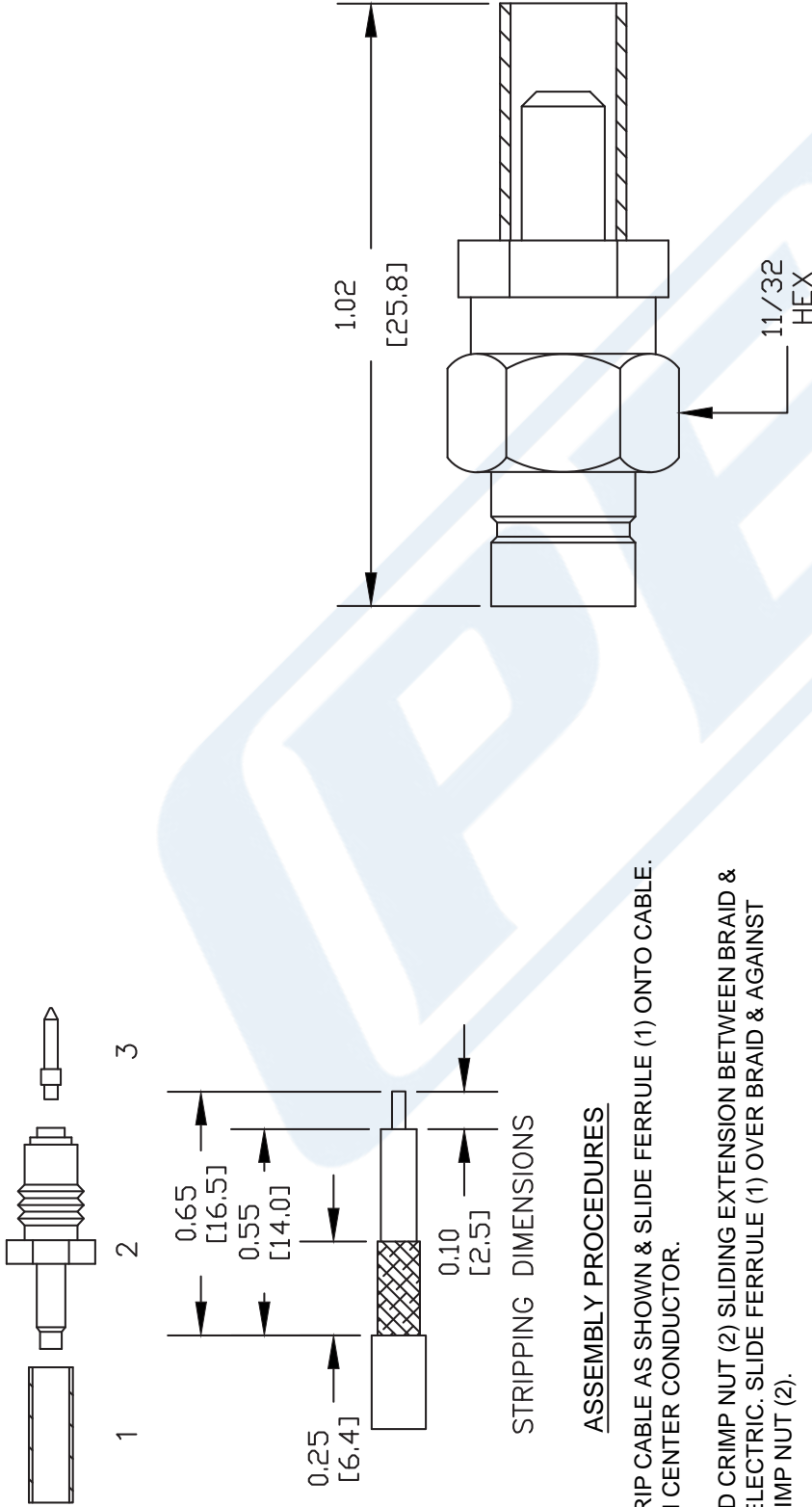
Click the following link (or enter part number in "SEARCH" on website) to obtain additional part information including price, inventory and certifications: [75 Ohm SMB Jack Connector Crimp/Solder Attachment for PE-B150, RG180, RG195 PE4163](#)

URL: <https://www.pasternack.com/smb-jack-standard-rg180-rg195-connector-pe4163-p.aspx>

The information contained in this document is accurate to the best of our knowledge and representative of the part described herein. It may be necessary to make modifications to the part and/or the documentation of the part, in order to implement improvements. Pasternack reserves the right to make such changes as required. Unless otherwise stated, all specifications are nominal. Pasternack does not make any representation or warranty regarding the suitability of the part described herein for any particular purpose, and Pasternack does not assume any liability arising out of the use of any part or documentation.

# PE4163 CAD Drawing

75 Ohm SMB Jack Connector Crimp/Solder Attachment for PE-B150, RG180, RG195



## STRIPPING DIMENSIONS

## ASSEMBLY PROCEDURES

1. STRIP CABLE AS SHOWN & SLIDE FERRULE (1) ONTO CABLE. TIN CENTER CONDUCTOR.
2. ADD CRIMP NUT (2) SLIDING EXTENSION BETWEEN BRAID & DIELECTRIC. SLIDE FERRULE (1) OVER BRAID & AGAINST CRIMP NUT (2).
3. SOLDER CONTACT (3) TO CENTER CONDUCTOR.
4. THREAD CRIMP NUT (2) INTO BODY & TIGHTEN. CRIMP FERRULE (1).

## CRIMP SIZE REQUIRED

CONTACT: SOLDER  
FERRULE: .178" HEX CRIMP TOOL

DWG TITLE

**PE4163**

- NOTES:
1. UNLESS OTHERWISE SPECIFIED ALL DIMENSIONS ARE NOMINAL.
  2. ALL SPECIFICATIONS ARE SUBJECT TO CHANGE WITHOUT NOTICE AT ANY TIME.
  3. DIMENSIONS ARE IN INCHES [mm].
  4. FITS MIL-C-17 AND EQUIVALENT CABLES.

REV. -

FSCM NO. 53919

CAD FILE 042309

SCALE N/A

SIZE A

147



**PASTERNAK®**  
Pasternack Enterprises, Inc.  
P.O. Box 16759 | Irvine | CA | 92623  
Phone: (949) 261-1920 | Fax: (949) 261-7451  
Website: www.pasternack.com | E-Mail: sales@pasternack.com

## 75 Ohm Flexible PE-B150 Coax Cable Single Shielded with Black PVC Jacket

### RF Cables Technical Data Sheet

PE-B150

#### Configuration

Flexible Cable  
1 Number of Shields

#### Electrical Specifications

| Description            | Minimum | Typical      | Maximum | Units        |
|------------------------|---------|--------------|---------|--------------|
| Frequency Range        | DC      |              | 5       | GHz          |
| Impedance              |         | 75           |         | Ohms         |
| Operating Voltage (AC) |         |              | 600     | Vrms         |
| Nominal Capacitance    |         | 20.5 [67.26] |         | pF/ft [pF/m] |

#### Performance by Frequency Band

| Description           | F1   | F2   | F3   | F4    | F5    | Units    |
|-----------------------|------|------|------|-------|-------|----------|
| Frequency             | 10   | 100  | 400  | 700   | 1,000 | MHz      |
| Attenuation, Typ      | 2.4  | 5.7  | 12.1 | 16.5  | 20    | dB/100ft |
|                       | 7.87 | 18.7 | 39.7 | 54.13 | 65.62 | dB/100m  |
| Input Power (CW), Max | 195  | 83   | 40   | 30    | 25    | Watts    |

| Description      | F6     | F7 | F8 | F9 | F10 | Units    |
|------------------|--------|----|----|----|-----|----------|
| Frequency        | 5      |    |    |    |     | GHz      |
| Attenuation, Typ | 50     |    |    |    |     | dB/100ft |
|                  | 164.04 |    |    |    |     | dB/100m  |

#### Mechanical Specifications

Diameter 0.15 in [3.81 mm]  
Weight 0.019 lbs/ft [0.03 Kg/m]

#### Construction Specifications

| Description     | Material and Plating         | Diameter          |
|-----------------|------------------------------|-------------------|
| Inner Conductor | Copper Clad Steel, 7 Strands | 0.017in [0.43 mm] |

Click the following link (or enter part number in "SEARCH" on website) to obtain additional part information including price, inventory and certifications: [75 Ohm Flexible PE-B150 Coax Cable Single Shielded with Black PVC Jacket PE-B150](#)

75 Ohm Flexible PE-B150 Coax Cable Single  
Shielded with Black PVC Jacket

RF Cables Technical Data Sheet

PE-B150

|              |                     |                   |
|--------------|---------------------|-------------------|
| Dielectric   | PE                  | 0.1 in [2.54 mm]  |
| First Shield | Tinned Copper Braid |                   |
| Jacket       | PVC, Black          | 0.15 in [3.81 mm] |

**Environmental Specifications**

**Temperature**

Operating Range -40 to 80 deg C

**Compliance Certifications** (visit [www.Pasternack.com](http://www.Pasternack.com) for current document)

Not RoHS Compliant

**Plotted and Other Data**

Notes:

75 Ohm Flexible PE-B150 Coax Cable Single Shielded with Black PVC Jacket from Pasternack Enterprises has same day shipment for domestic and International orders. Our RF, microwave and millimeter wave products maintain a 99% availability and are part of the broadest selection in the industry.

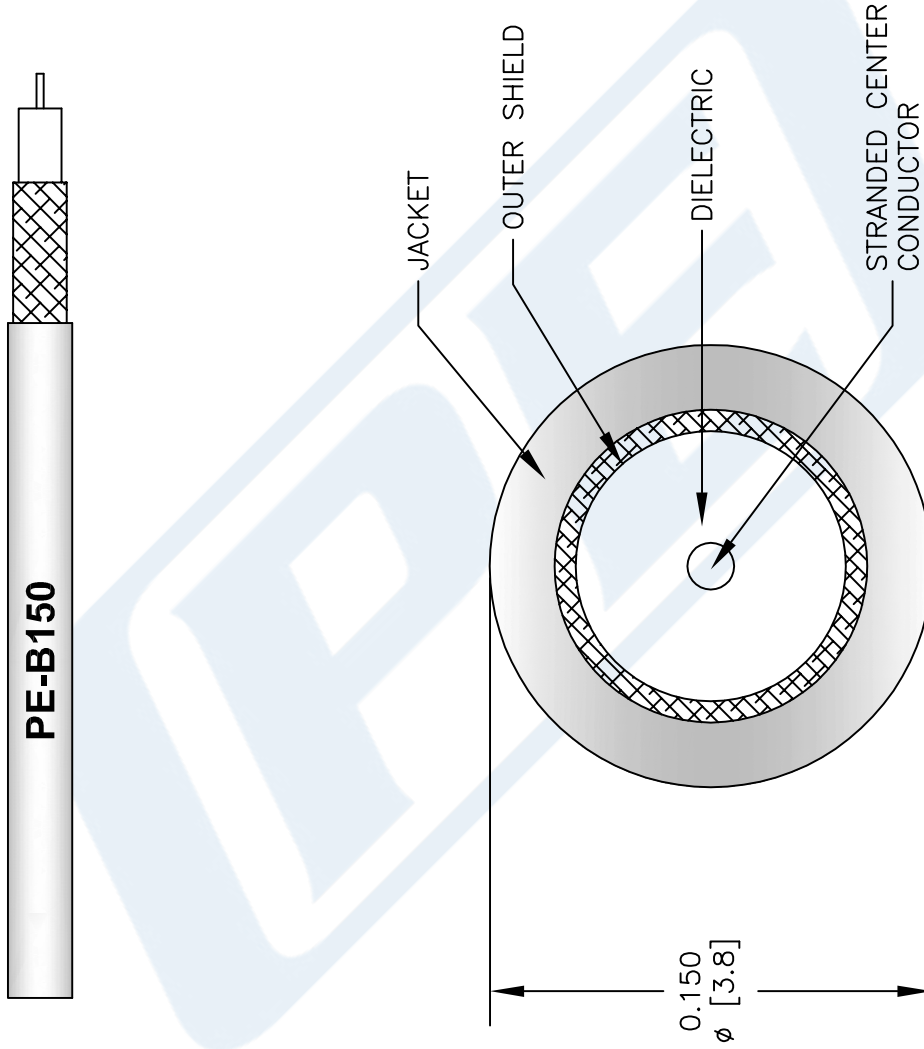
Click the following link (or enter part number in "SEARCH" on website) to obtain additional part information including price, inventory and certifications: [75 Ohm Flexible PE-B150 Coax Cable Single Shielded with Black PVC Jacket PE-B150](#)

URL: <http://www.pasternack.com/flexible-0.150-mini-75-ohm-coax-cable-pvc-jacket-pe-b150-p.aspx>

The information contained in this document is accurate to the best of our knowledge and representative of the part described herein. It may be necessary to make modifications to the part and/or the documentation of the part, in order to implement improvements. Pasternack reserves the right to make such changes as required. Unless otherwise stated, all specifications are nominal. Pasternack does not make any representation or warranty regarding the suitability of the part described herein for any particular purpose, and Pasternack does not assume any liability arising out of the use of any part or documentation.

# PE-B150 CAD Drawing

75 Ohm Flexible PE-B150 Coax Cable Single Shielded with Black PVC Jacket



NOTES:  
 1. UNLESS OTHERWISE SPECIFIED ALL DIMENSIONS ARE NOMINAL.  
 2. ALL SPECIFICATIONS ARE SUBJECT TO CHANGE WITHOUT NOTICE AT ANY TIME.  
 3. DIMENSIONS ARE IN INCHES (mm).

|                |  |                |        |
|----------------|--|----------------|--------|
| DWG TITLE      |  | FSCM NO. 53919 |        |
| <b>PE-B150</b> |  | CAD FILE       | 042809 |
|                |  | SCALE          | N/A    |
|                |  | SIZE           | A      |
|                |  |                | 127    |

**PASTERNAK®**  
 Pasternack Enterprises, Inc.  
 P.O. Box 16759 | Irvine | CA | 92623  
 Phone: (949) 261-1920 | Fax: (949) 261-7451  
 Website: www.pasternack.com | E-Mail: sales@pasternack.com